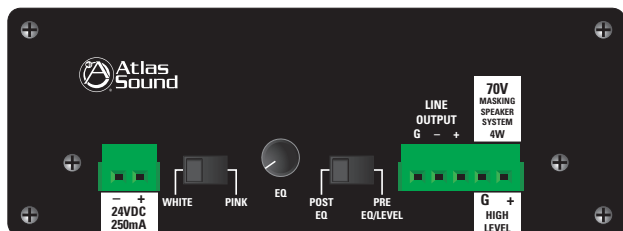
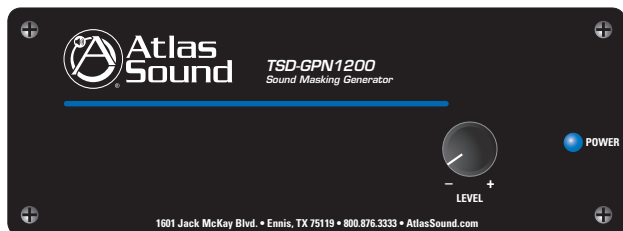




TSD-GPN1200

Sound Masking Generator



TSD-GPN1200

Atlas Time Saving Devices

New Atlas Sound Time Saving Devices are designed to solve some of the common audio system problems in the easiest and in the most efficient and cost-effective way. Utilizing the highest quality components and inspired by real world installation issues, the Atlas Sound TSDs include mixers, amplifiers, preamps, and other distribution and control devices to simplify your connections, provide specific application needs, and add flexibility in expansion and changes that prevent expensive system overhauls.

The Time Saving Devices are loaded with features making it versatile and user friendly. The TSD design mandate was to make the installation quick and reliable, saving you valuable time and money. Each model is housed in a compact 1.5" x 3.9" x 2.75" footprint that allows for placement almost anywhere. Common features include removable individual I/O connectors for quick and precise wiring, separate ground terminals for all I/Os assuring secured connections, and removable level controls that can be replaced with a tamper-proof security cover.

Description

The Atlas Sound TSD-GPN1200 sound masking generator is perfectly suited for basic sound masking systems. The analog topology design eliminates repeating cycles commonly found in other manufactures low cost digital designs.

The TSD-GPN1200 allows selection between pink or white noise sources and incorporates a variable balanced output to match input requirements of Atlas Sound equalizers and amplifiers.

In addition to the line level output, a 4W, 70V output is provided to power up to six masking loudspeakers tapped at .5W each. A variable hi-cut filter with operating range between 1 kHz and 8 kHz at a slope of 6 dB per octave supports equalization requirements for most basic Sound Masking systems. Both outputs may be used simultaneously allowing large zones to be addressed with external equalization and amplification while a smaller zone is powered by the internal 70.7V amplifier with spectrum control provided by the on board hi-cut filter.

The TSD- GPN1200 is highly efficient and meets Energy Star standards as one 24V DC power supply can power multiple Atlas Time Saving Devices (available separately).

Audio Applications

- Government Buildings
- Medical Facilities
- Office Environments
- Churches
- Restaurants
- Schools
- Industrial Facilities

Features

- Balanced Line Output Plus 4W, 70.7V Output
- Adjustable Gain and Hi-Cut Filter
- EQ & Gain Bypass for Line Output
- Selectable Pink or White Noise Source
- Stand Alone or Rack Mountable
- Security Covers Included for All Rear Panel Controls
- Meets Energy Star Standards
- Compact Chassis Design

Audio Applications

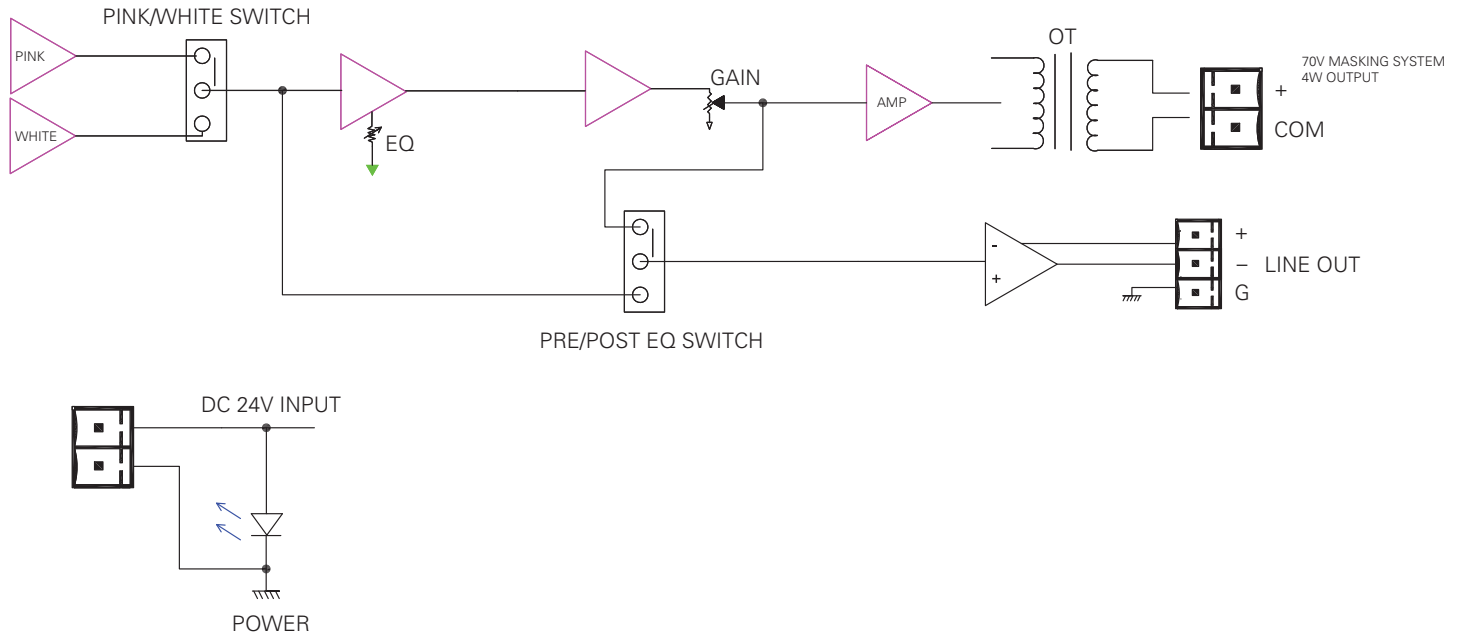
- Audio Sound Masking
- Security Masking
- Pink Noise Generator
- White Noise Generator
- Amplifier

©2010 Atlas Sound L.P. All rights reserved. Atlas Sound and Strategy Series are trademarks of Atlas Sound L.P. All other trademarks are the property of their respective owners. AT5003826 RevA 4/10

Specifications

Description	Sound Masking Generator/Amplifier
Chassis Color	Black
Chassis Material	Aluminum
Inputs	
Noise Generator	Internal Pink & White Selectable
Outputs	
Type	Qty 1, Balanced Line
Connection	Removable 3 Position Captive Screw 3.5mm Spacing
Impedance	300Ω Balanced, 150Ω Unbalanced
Line Output Level	Maximum Output 500mV
Type	Qty 1, Speaker Out 70V Masking Systems
Connection	Removable 3 Position Captive Screw 3.5mm Spacing
Line Output Level	Maximum Output 4W
Controls	
Level Control	Qty 1, Removable Knobs with Security Covers
Noise Generator Select	Pink or White
Line Out Select	Pre or Post EQ
EQ Adjust	Recessed Screw Driver
Indicators	
Power	Blue
Electrical	
Topology	Random Analog
Frequency Response	20Hz - 20kHz Line Out Pre EQ Only
EQ Filter	High Cut, Variable, 1kHz - 7kHz/6dB
Mounting	
Velcro	Industrial Grade, Included
Brackets	Qty 2, Included
TSD-RMK	Optional 1 RU Rack Mount Panel
Cable Retainer	Qty 1
Power Requirements	
24VDC	250mA
Average Power Consumption Current	100mA
Average Power Consumption VA Watts	2.4W
Dimensions	H 1.5" (39mm) x W 4" (101mm) x D 2.5" (70mm)
Weight	6oz, .165kg

Block Diagram



©2010 Atlas Sound L.P. All rights reserved. Atlas Sound and Strategy Series are trademarks of Atlas Sound L.P. All other trademarks are the property of their respective owners. AT5003826 RevA 4/10