



600 Series

19" Wide Opening Stand Alone Basic Wall cabinet



607-15

Applications

The 600 Series is a basic cabinet used to house electronic equipment for any type of application, both commercial and residential, where a floor standing cabinet is not practical. Applications include Communications equipment, Audio Video equipment, Security systems, CCTV equipment, IT equipment, Industrial systems, and Computer equipment.

Features

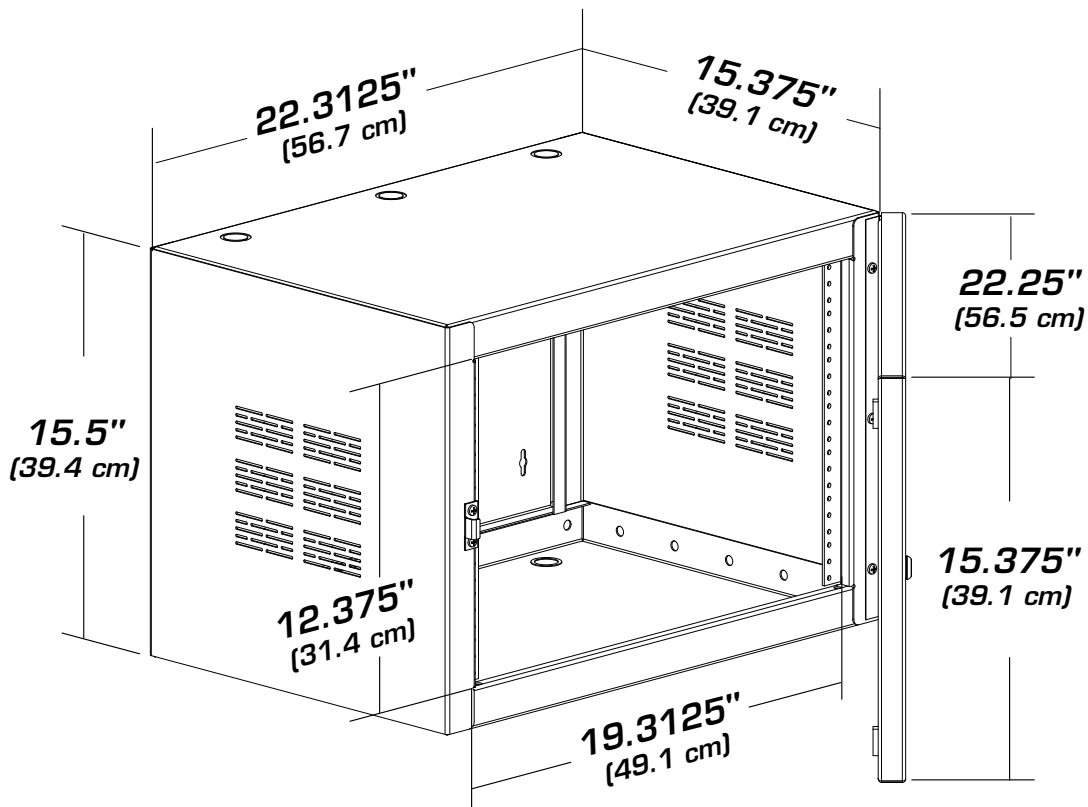
- 16-gauge CRS all welded construction with 11-gauge CRS tapped mounting rails
- Locking front door
- Vents on each side
- 10-32 pan head screws for panel mounting
- Completely assembled
- Convenient Pre-Punched Back Panel for Wall Mounting

In The Box

- Complete Cabinet with Fixed Rear Panel and Front Door, Fully Assembled
- Six Pre-Punched Back Panel Openings for 1/2" and 3/4" Concentric Conduits, Three Top and Three Bottom
- Cylinder Locking front Door
- Fixed Rack Rails recessed 5/8"

Options

- Drawers, Shelves, Fans, and Accessories



General Description

Atlas Sound Model 607-15 is a surface mounting wall cabinet used for housing small electronic system installations including 19" wide amplifiers, tuners and associated communication controls for schools, churches, clubs and recreation facilities. The 607-15 has a vertical panel opening of 12¼" (311mm) and is constructed of 16-gauge CRS.

Louvers on each side of the cabinet are provided for ventilation. The 11 gauge CRS panel mounting rails are recessed ⅝" (16mm) for a "flush" look. Locking front door is standard. Panel-mounting screws (10-32 x ¾") are provided for equipment panel and accessory mounting. Mounting rails are tapped 10-32 on EIA spacing. Three double ½" (13mm) and ¾" (19mm) knockouts are provided on the top and bottom of the cabinet for wire entry. Four keyhole slots for wall hanging are provided on the back panel. The 607-15 is shipped completely assembled and is finished in black epoxy powder coat.

Architect & Engineer Specifications

The wall mounted cabinet shall be Atlas Sound _____ (Model 607-15) or approved equal. It shall be constructed of 16-gauge CRS with 11 gauge CRS mounting rails. The cabinet shall have a locking front door. Internal louvers shall be provided for ventilation. Three double ½" (13mm) and ¾" (19mm) knockouts shall be provided on the top and bottom of the cabinet to facilitate wiring. Four keyhole slots shall be provided on the back panel to accommodate wall hanging. The cabinet shall accommodate standard 19" (483mm) rack panels and have a vertical panel opening of 12¼" (311mm). The cabinet shall be provided with twelve 10-32 x ¾" (19mm) panel mounting screws and the mounting rail shall be tapped 10-32 on EIA spacing. Enclosure shall be finished in black epoxy powder coat and shipped completely assembled.

Specification Friendly Text

1. Basic Wall Cabinet – Basic Wall cabinet shall be a metal cabinet with fixed rack rails used to secure rack mount equipment. Cabinet shall be capable of being mounted to the wall. Cabinet shall:
 - a. Be 7RU High opening for equipment mounting.
 - b. Be 15⅝" deep with 19" wide E.I.A. fixed front 12 gauge rack rails offset ⅝" for mounting equipment.
 - c. Includes rear fixed panel with ½" and ¾" conduit knockouts, three top and three bottom, as well as keyhole hanging slots.
 - d. Provide perforated sides on cabinet for heat dissipation.
 - e. Be 16-gauge welded metal Cold Roll Steel (CRS) frame.
 - f. Include locking solid steel front door.
 - g. Manufacturer Atlas 607-15 cabinet

600 Series		
Model	607-15	
Rack Units	7 RU	
Outside Dimensions	Height	15½" (39.4 cm)
	Width	22⅝" (56.7 cm)
	Depth	15⅝" (39.1 cm)
Panel Space	12⅝" (31.4 cm)	
Weight	45 lbs (20.41 kg)	