

4600 Heavy Duty Designer Deadlatch Handles

The 4600 Heavy Duty Designer Deadlatch Handles are designed with a patented adjustable drive mechanism to operate the 4300, 4500, and 4900 Series Deadlatches and Dual Force 2190/2290 Interconnected Deadbolt/Deadlatch locksets.

Function

Designed to operate 4300, 4500, and 4900 Series Deadlatches with either an upward or downward motion. 4600 Deadlatch Handles can be retrofitted in the field onto the 2190/2290 Interconnected Deadbolt/Deadlatch. Shipped handed, but easily reconfigured to accommodate either door swing (MV and MN handle types cannot be re-handed). The patented adjustable drive mechanism allows the escutcheon to be set back from the door edge at the time of installation to provide additional clearance. Request-to-Exit (REX) switch optional to provide signal when lever is actuated.

Specifications

DESIGN

- Designed to match the clean lines of a narrow stile door, the 4600 Heavy Duty Designer Series Deadlatch Handles combine aesthetics, function, and strength in a compact yet robust package. Offered in a wide range of lever designs and architectural finishes, the 4600 Series Deadlatch Handle complements the most contemporary door systems.

HANDLES

- Available in standard and designer series levers to blend with existing architecture or to create a new design statement. Made from solid cast stainless, brass, or bronze, and finished to match any design requirement. Standard series lever styles (-01, -02, -03) are designed to return within 1/2" of the door face, as required by code in some areas.

ESCUTCHEON

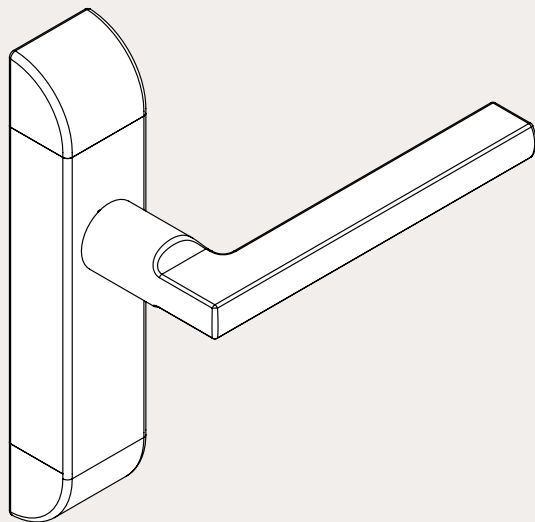
- Mounted base is secured by hidden screws and has two large helical compression springs. A 1/4" square heat-treated spindle is part of escutcheon assembly, which interlocks with the cam plug. Finished to match lever.

OPTIONS

- Can be ordered for left or right hand door, but is easily reconfigured in the field to accommodate either door swing. Standard handles are for 1-3/4" thick doors. Available by special order for doors up to 3-1/4". Fixed lever (dummy) kit available – use part number DTK-4600. Through-bolt mounting kit for back-to-back mounting on wood doors, use part number TBK-4600-XX (specify door thickness).

STANDARD PACKAGE

- Packed individually with cam plug (as needed), fasteners, and optional equipment specified.



STANDARD SERIES:



01-CURVE

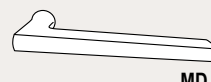


02-ROUND



03-SQUARE

DESIGNER SERIES:



MD



MI



ME



MJ



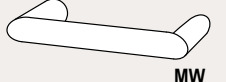
MV



MG



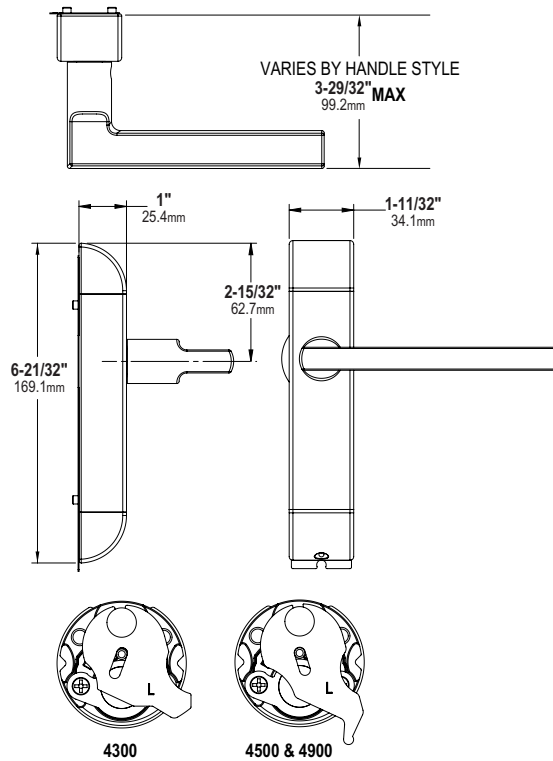
MN



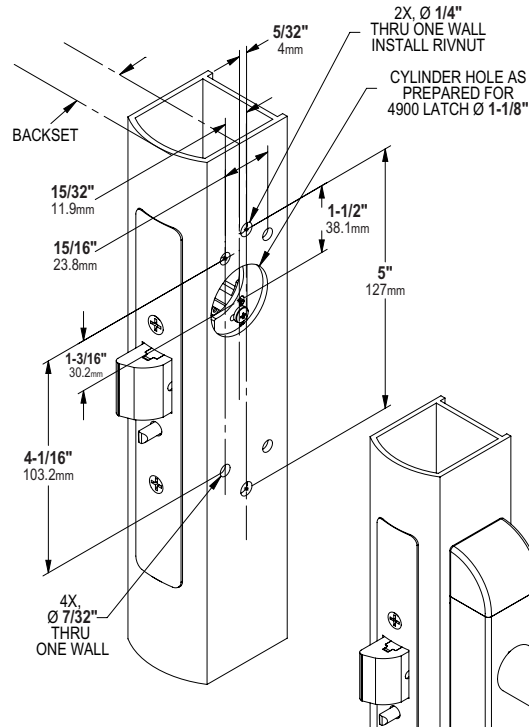
MW

All measurements are approximate and are provided for informational purposes only. Refer to the product Installation Instructions.

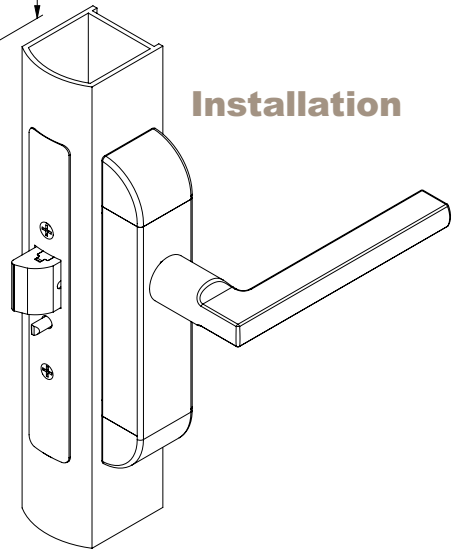
Dimensions



Metal Door Preparation



Installation



CAM PLUG (4581)

- Used when matched with 4300, 4500, or 4900 Series Deadlatches. Secured to the latch body by cylinder setscrew, the cam plug is tied to the handle escutcheon by integral anti-rotation pins. Handing easily reversed with push-and-release cam design.

HOW TO ORDER 4600 HEAVY DUTY DESIGNER DEADLATCH HANDLES

Specify quantity and the following information. Order related products separately.

PRODUCT NO.	REX	HANDLE	HANDING**	DOOR THICKNESS	COMPATIBLE PRODUCTS	FINISH
4600	M	-01	-5	1	1	-32D
	(blank) Standard	Standard Handles	5 LH or LHR	1 1-3/4" to 1-7/8"	1 2190, 2290 Interconnected Deadbolt/Deadlatch 2 4300, 4500, 4900 Series Deadlatches	US3 Bright Brass
	M REX Switch Option	01 Curve	6 RH or RHR	2 2" to 2-1/8"		US4 Satin Brass
		02 Round		3 2-1/4" to 2-3/8"		US10B Oil-Rubbed Bronze
		03 Square		4 2-1/2" to 2-5/8"		US32 Bright Stainless
		Designer Series		5 2-3/4" to 2-7/8"		US32D Satin Stainless
		MD MJ				
		ME MN* (Handed)				
		MG MV* (Handed)				
		MI MW				

*MN and MV Designer Handles are not field reversible

**Assuming handle on interior of door

RELATED PRODUCTS

When purchasing this product, please consider the following related products, available separately:

Accessories

DTK-4600 Fixed Lever (Dummy) Kit.

TBK-4600-XX Thru-Bolt Mounting Kit for back-to-back mounting on wood doors.

REX-4600 Request to Exit switch to indicate when lever is actuated.

TDK-4600-XX Thick Door Kit for doors 2" to 2-7/8".

COMPATIBLE PRODUCTS

This product is compatible with the following products:

Deadlatches

- 4300 eLatch Electrified Deadlatch
- 4500 Series Standard Duty Deadlatch
- 4900 Series Heavy Duty Deadlatch