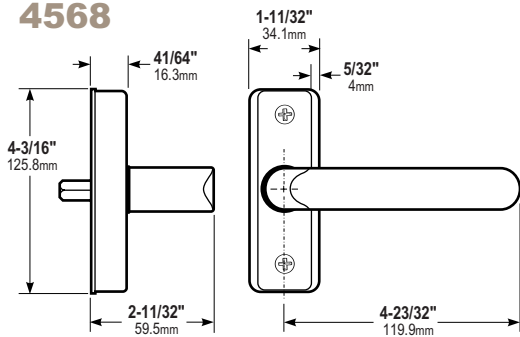


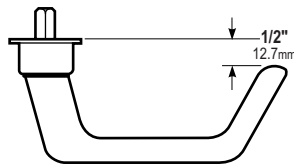
All measurements are approximate and are provided for informational purposes only. Refer to the product Installation Instructions.

Dimensions

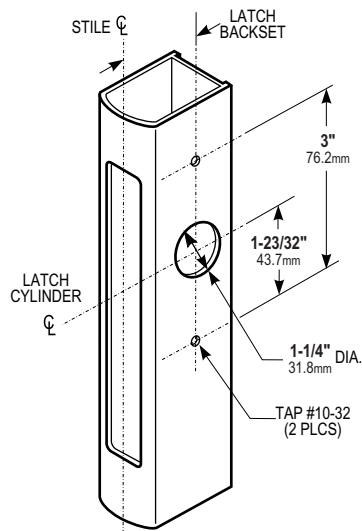
4568



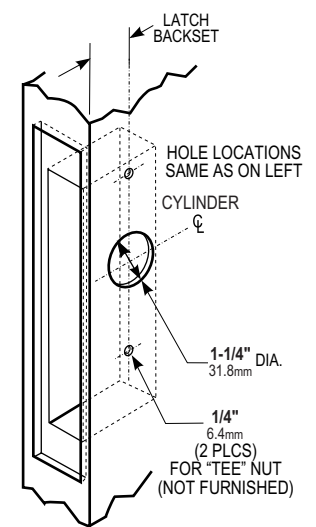
4569



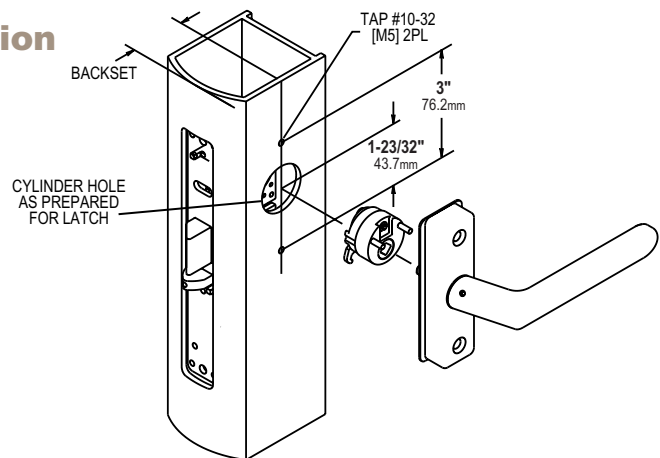
Narrow Stile Preparation



Wood Door Preparation



Installation



REVERSIBLE 4580 CAM DISC

- Included with 4568 & 4569 handles.
- Required to operate 4500 / 4900 / existing 4700 series latches



HOW TO ORDER 4568, 4569 EUROSTYLE DEADLATCH HANDLES

Specify quantity and the following information. Order related products separately.

PRODUCT NO.	LEVER TYPE	HANDING	DOOR THICKNESS		FINISH
456	8	-5	01		-130
	8 Straight	0 Using MS+1890	For 4300, 4500, 4900 Series Deadlatches	For MS+1890	119 To match 335 Black Anodized
	9 Return End	5 LH or LHR	01 1-3/4" to 2"	11 1-3/4" to 1-15/16"	121 To match 313 Dark Bronze Anodized
		6 RH or RHR	02 2-1/4" to 2-1/2"	12 2" to 2-1/4"	130 To match 628 Clear Anodized
			03 2-3/4" to 3"	13 2-5/16" to 2-3/4"	
			04 3-1/4"	14 3"	

RELATED PRODUCTS

When purchasing this product, please consider the following related products, available separately:

Accessories

Thick door kits, as required.

COMPATIBLE PRODUCTS

This product is compatible with the following products:

Deadlatches

- 4300 eLatch Electrified Deadlatch
- 4500 Series Standard Duty Deadlatch
- 4900 Series Heavy Duty Deadlatch