

MS1850S-050 Series MS® Deadlock



ALUMINUM

GRADE 1
E8281/E8291

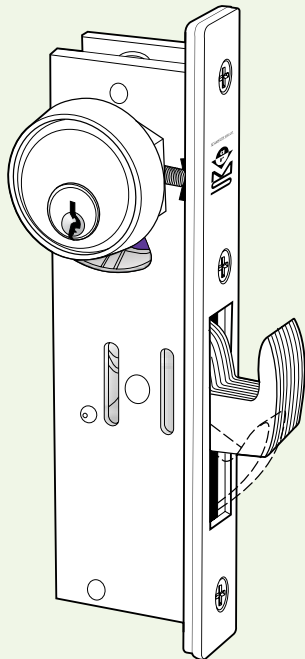
The MS1850S-050 Deadlock utilizes a laminated stainless steel hookbolt, activated by a pivot mechanism to provide maximum security for a sliding narrow stile door.

Function

The MS1850S-050 Deadlock answers the security need of sliding glass doors in commercial, industrial, and institutional buildings. The mechanism is identical to the widely used Maximum Security swinging door lock, except that the massive laminated bolt is provided in a hook shape to resist the parting motion of sliding door and jamb. The over-center MS locking action assures that forced entry attempts to pry the door in any direction, up, down, or sideways will be defeated.

Operation

360° turn of key or thumbturn throws or retracts the counterbalanced bolt. Key can be removed only when bolt is in a positively locked or unlocked position. Lock accepts any standard 1-5/32" diameter mortise cylinder or thumbturn from either or both sides. Cylinder must have MS® dimensioned cam.



Specifications

CYLINDER BACKSET

- 7/8", 31/32", 1-1/8", or 1-1/2" only.

CASE

- Steel with corrosion-resistant plating, measures 1" x 6" x depth. Depth varies by backset (see table on back of page).

BOLT

- 5/8" x 1-3/8" with 13/16" throw. Eight-ply laminated stainless steel. Center ply has alumina-ceramic core to defeat any hacksaw attack, including rod-type "super" hacksaws, while hook shape repels pry bar attempts to "spread" the door from its jamb or lift it off its track.

FACEPLATE

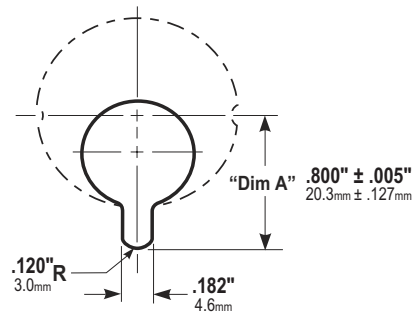
- Measures 1" x 6-7/8".

STRIKE

- See back of page for dimensions of strike slot which can be cut in metal jamb. Trim plate, box strike, and armored strike are available separately.

CYLINDER CAM

- MS1850S-050 Deadlocks are operable by any standard 1-5/32" diameter mortise cylinder with MS® cam dimensioned as shown. Cylinders with MS® cams can be readily obtained from most cylinder manufacturers. See CYLINDERS section for cylinder make, thumbturn and trim ring information.



OPTIONS

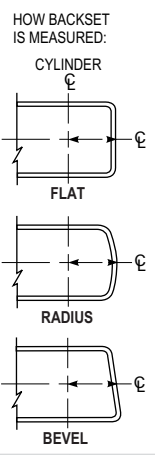
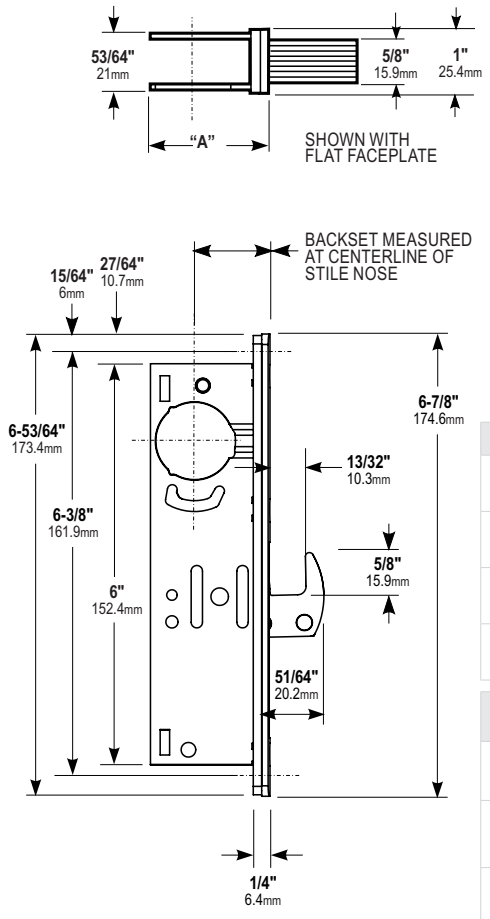
- Cylinder backset and faceplate finish and shape (radiused, flat or bevel cross-section to match door nose) must be specified. "SCHOOLHOUSE" version, also available, is modified so that operation from inside is "unlock only". This lock is handed and must be specified LH or RH. Specify Series SCH1850S-050. Same faceplate and backset options as Series MS1850S-050. Operation from inside, with standard Adams Rite 4066 Trim or with 4550 Deadlock Lever. For wood or hollow metal, see MS1850SN.

STANDARD PACKAGE

- Individually boxed with machine screws for mounting. Cylinders and/or thumbturns available separately. Shipping weight: 1-1/2 lbs.

All measurements are approximate and are provided for informational purposes only. Refer to the product Installation Instructions.

Dimensions

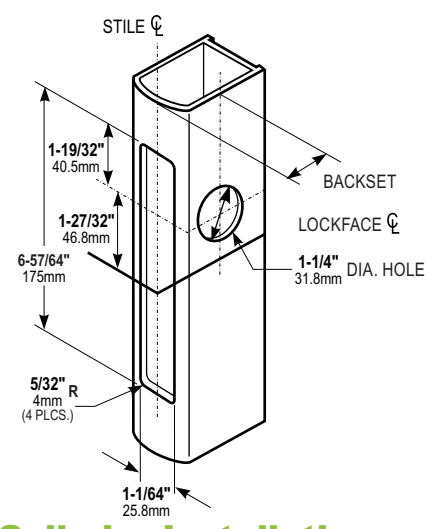


BACKSET	"A"
7/8" 22.2mm	1-9/16" 39.7mm
31/32" 24.6mm	1-5/8" 41.3mm
1-1/8" 28.6mm	1-25/32" 44.5mm
1-1/2" 38.1mm	2-1/4" 57.2mm

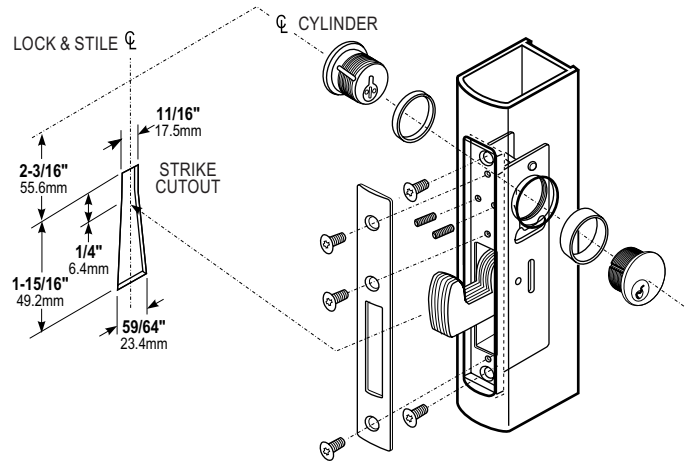
ARMORED FACEPLATE
1" X 6-7/8"

FLAT MS1850S-050
RADIUS MS1851S-050
RADIUS W/ WEATHERSTRIP MS1851SW-050
LH BEVEL MS1852S-055
RH BEVEL MS1852S-056

Stile Preparation



Lock & Cylinder Installation



HOW TO ORDER MS1850S-050 SERIES MS® DEADLOCK

Specify quantity and the following information. Order related products separately.

PRODUCT NO.	FACEPLATE	BACKSET	HANDING	FINISH
MS185	OS	-2	50	-628
	0S Flat	1 7/8"	55 LH or RHR	313 Dark Bronze Anodized
	1S Radius	2 31/32"	56 RH or LHR	335 Black Anodized
	1SW Radius with weatherstrip	3 1-1/8"	50 Non-Handed*	628 Clear Anodized
	2S Bevel	4 1-1/2"		

*Any flat or radius faceplate.

RELATED PRODUCTS

When purchasing this product, please consider the following related products, available separately:

<p>Accessories</p> <p>4015 Threshold Bolt or 4016 Header Bolt for multi-point locking.</p> <p>4085 Header Bolt for pairs of doors.</p> <p>Deadlock Strikes.</p> <p>Lock mounting accessories and options.</p>	<p>Cylinders</p> <p>MS1850S-050 Deadlocks are operable by any standard 1-5/32" diameter mortise cylinder with MS® cam.</p>	<p>Trim</p> <p>Deadlock lever trim and keyless entry trim.</p> <p>Exit indicators.</p>	<p>Special Order Options</p> <p>Schoolhouse function available as special order.</p>
----------------------------------------------------------------------------------------------------------------------------------------------------------------------------------------------------------------------	-----------------------------------------------------------------------------------------------------------------------------------	-----------------------------------------------------------------------------------------------	---------------------------------------------------------------------------------------------