

Steel Hawk 4300 Electrified Deadlatch (eLatch)



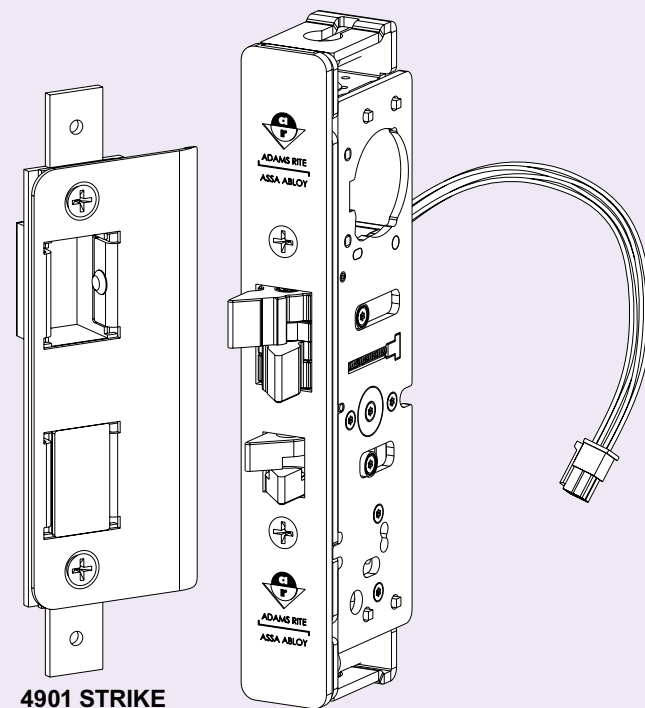
ALUMINUM

ELECTRIFIED
PRODUCTGRADE 1
E8231

The Steel Hawk 4300 Electrified Deadlatch (eLatch) combines non-handed, narrow backset, mechanical locking hardware with electrified access control.

Function

The 4300 eLatch combines mechanical locking hardware with electrified access control while working within standard aluminum entrance door preparations. Always operable from the inside via handle or paddle device. Entry via keyed mortise cylinder or access control element. Fail-secure lock with optional form "C" latch status monitor. The standard 4300 operates on 12, 16, or 24 volt DC power and is rated for continuous duty. Units are equipped with a quick connect plug-in type connector. Interchangeable without stile modification for MS® Deadlocks or 4500 and 4900 Deadlatches. 1-3/4" minimum door thickness required.



4901 STRIKE

Operation

Turn key, apply voltage, or operate handle or paddle to release the spring-loaded latchbolt. Electrically-rated for continuous duty for timed applications. Interface with access control. Uses any standard mortise cylinder with MS® cam.

Specifications

CYLINDER BACKSET

- 31/32", 1-1/8", and 1-1/2".

CASE

- Measures 15/16" x 5-13/16" x depth. Depth varies by backset (see table on back of page). Steel with corrosion-resistant plating.

LATCHBOLT

- 5/8" x 1" x 5/8" throw. Stainless steel.

AUXILIARY BOLT

- All metal. Deadlocks latchbolt to prevent "loiding" or case-knife entry.

FACEPLATES

- Measures 1" x 6-7/8". Both flat and radius faceplates are supplied. Flat faceplates can also be adjusted in the field for right or left beveled edge doors.

VOLTAGE

- Field-selectable to match power source of 12, 16, or 24 VAC/VDC

CURRENT DRAW/AMPS

VOLTS	DC CONTINUOUS
12	0.44
16	0.458*
24	0.23

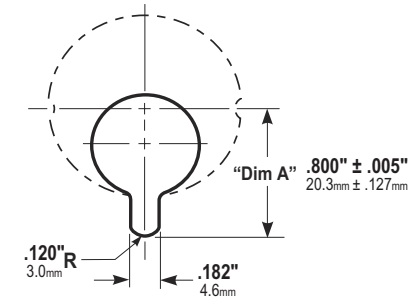
*Required 16 VDC adapter (P/N VA 7400-16VDC)

STRIKES

- Pick from optional strikes. 4304 no-cut surface mounted strike for easy retrofits. Specify mortised-flush version 4901 when covering existing MS® deadlock preparation or for new applications. 4901 is available with radius profiles for pairs of doors and with extended lips of center-hung or thick door applications doors.

CYLINDER CAM

- 4300 Electrified Deadlatches are operable by any standard 1-5/32" diameter mortise cylinder with MS® cam dimensioned as shown. Cylinders with MS cams can be readily obtained from most cylinder manufacturers. See CYLINDERS section for cylinder make, thumbturn and trim ring information.



OPTIONS

- Backset, strike, and finish must be specified when ordering. Please select monitoring option if request to exit (REX) is required. If selected, an external request to exit (REX) feature in exit trim is not required with the 4300 Electrified Deadlatch.

STANDARD PACKAGE

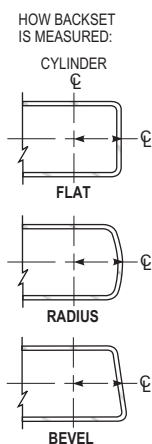
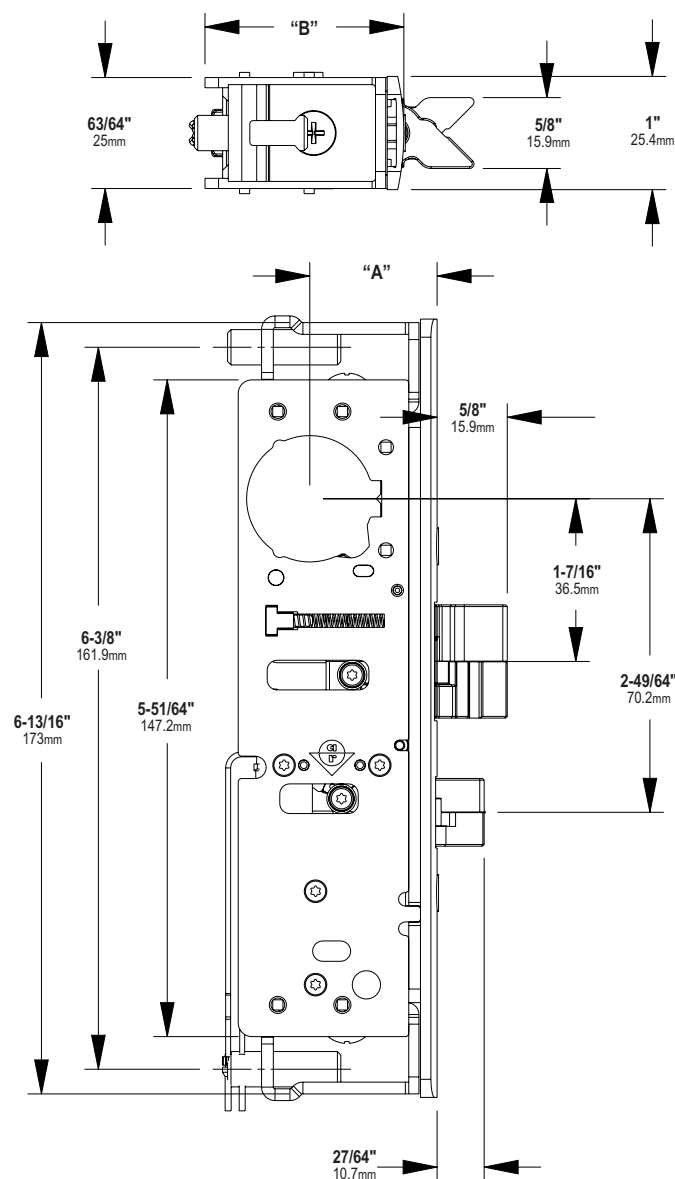
- Individually boxed with flat and radius faceplates, strike, and machine screws for mounting. Supplied with universal cam plug 4581 to work with specified handles or paddle operators. Cylinder, paddle, or handle available separately. Shipping weight: 1-1/4lbs.

RITE Pack®

- The Steel Hawk 4300 RITE Pack conveniently pairs the non-handed, narrow backset, electrified deadlatch with the flexibility of multiple faceplates in a single, simple package.
- The RITE Pack includes one electrified deadlatch and four faceplates.
 - 2 flat faceplates: one clear (628) and one dark bronze anodized finish (313)
 - 2 radius faceplates: one clear (628) and one dark bronze anodized finish (313)

All measurements are approximate and are provided for informational purposes only. Refer to the product Installation Instructions.

Dimensions



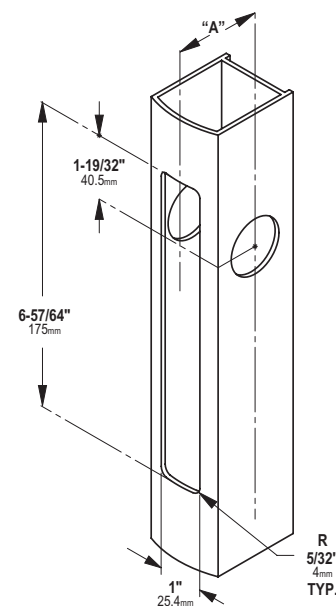
BACKSET A	DIM. B
31/32" 24.6mm	1-19/32 40.5mm
1-1/8" 28.6mm	1-49/64" 44.8mm
1-1/2" 38.1mm	2-9/64" 54.4mm

ARMORED FACEPLATE
1" X 6-7/8"

FLAT (INCLUDED) P/N 24-0076-01-XXX*
RADIUS (INCLUDED) P/N 24-0076-02-XXX*
RADIUS W/ WEATHERSTRIP P/N 24-0076-03-XXX*

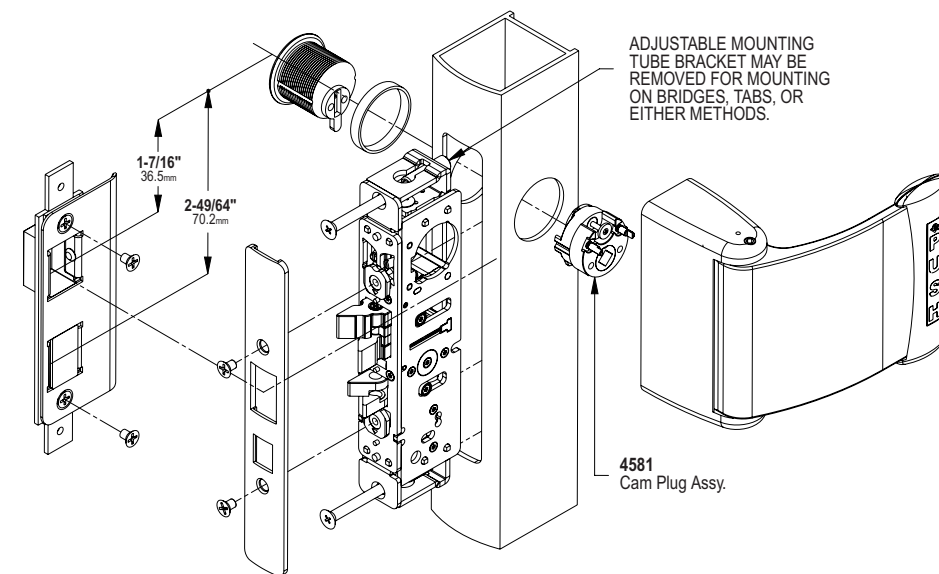
FLAT FACEPLATE CAN BE ADJUSTED FOR RIGHT OR LEFT BEVELED EDGE DOORS. RADIUS WEATHERSTRIP IS OPTIONAL.

Stile Preparation



ADJUSTABLE MOUNTING TUBE BRACKET MAY BE REMOVED FOR MOUNTING ON BRIDGES, TABS, OR EITHER METHODS.

Latch, Paddle & Cylinder Installation



HOW TO ORDER STEEL HAWK 4300 ELECTRIFIED DEADLATCH (ELATCH)

Specify quantity and the following information. Order related products separately.

Product No.	BACKSET	MONITORING	STRIKE	STIRKE SHAPE/LIP LENGTH	FACEPLATE FINISH
4300	-3	M	-2	01	-628
	2 31/32"	0 None	1 Surface Mount (4304)	01 Flat/Standard Jamb	313 Dark Bronze Anodized
	3 1-1/8"	M Monitored	2 Mortised (4901) 4-5/8"	02 Radius/Standard Stiles**	335 Black Anodized
	4 1-1/2"			17 Flat/Center Hung 4" Jamb**	628 Clear Anodized
				21 Flat/Center Hung 4-1/2" Jamb**	

** See ACCESSORIES for available 4901 strike options

4300 STEEL HAWK RITE PACK

Specify quantity and the following information. Order related products separately.

Product No.	BACKSET	MONITORING	STRIKE	RITE Pack
4300	-3	0	-1	RP
	2 31/32"	0 None	1 Surface Mount (4304)	
	3 1-1/8"		2 Mortised (4901) 4-5/8"	

RELATED PRODUCTS When purchasing this product, please consider the following related products, available separately:

Accessories	Cylinders	Trim	Power
Lock mounting accessories and options.	4300 Electrified Deadlatch is operable by any standard 1-5/32" diameter mortise cylinder with MS® cam.	Entry trim, paddles and handles.	4605 Transformer, 4603 Rectifier, PS-1, and 4612 Power Transfer Device.