

SNV-L6014RBM

2M Vandal-Resistant Network IR Flat Camera

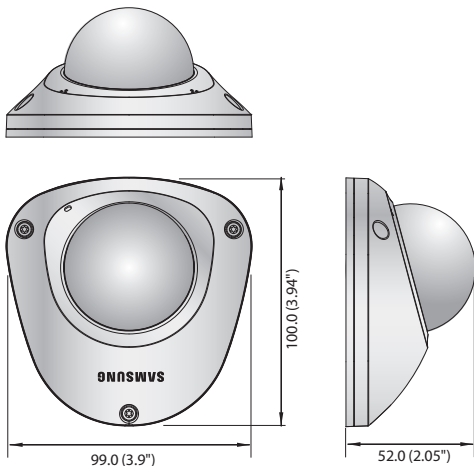


Key Features

- Max. 2megapixel (1920 x 1080) resolution
- 30fps@all resolutions (H.264)
- 0.15Lux@F1.8 (Color), 0Lux@F1.8 (B/W : IR LED on)
- Built-in 3.6mm fixed lens
- H.264, MJPEG dual codec, Multiple streaming
- Motion detection, Tampering
- micro SD/SDHC memory slot, PoE
- IR viewable 15m, IP66, IK10
- Hallway view support (Rotate 90°/270°)
- LDC support (Lens Distortion Correction)
- M12 connector support, Audio in/out, Built-in mic

Dimensions

Unit : mm (inch)



SNV-L6014RBMN/P

VIDEO	
Imaging Device	1/2.9" 2.19M CMOS
Total Pixels	2,000(H) x 1,121(V)
Effective Pixels	1,984(H) x 1,105(V)
Scanning System	Progressive
Min. Illumination	Color : 0.15Lux (1/30sec, F1.8), 0.003Lux (2sec, F1.8) B/W : 0Lux (IR LED on)
LENS	
Focal Length (Zoom Ratio)	3.6mm fixed
Max. Aperture Ratio	F1.8
Angular Field of View	H : 86.5° / V : 47.8° / D : 101.2°
Min. Object Distance	0.5m (1.64ft)
Lens Type	Fixed
Mount Type	Board type
PAN / TILT / ROTATE	
Pan / Tilt / Rotate Range	-5° ~ 5° / 0° ~ 67° / 90°
OPERATIONAL	
IR Viewable Length	15m (49.21ft)
Camera Title	Off / On (Displayed up to 15 characters)
Day & Night	True Day & Night
Backlight Compensation	Off / BLC
Contrast Enhancement	SSDR (Off / On)
Digital Noise Reduction	SSNR (Off / On)
Motion Detection	Off / On (4ea rectangular zones)
Privacy Masking	Off / On (6ea rectangular zones)
Gain Control	Off / Low / Middle / High
White Balance	ATW / AWC / Manual / Indoor / Outdoor
LDC (Lens Distortion Correction)	Off / On (5 levels with min / max)
Electronic Shutter Speed	Minimum / Maximum / Anti flicker
Flip / Mirror	Flip / Mirror / Hallway view
Intelligent Video Analytics	Motion detection with metadata, Tampering
Alarm Triggers	Motion detection, Tampering detection, SD card error, NAS error
Alarm Events	File upload via FTP and E-mail, Local storage recording at event, Notification via E-mail
NETWORK	
Ethernet	M12 connector (10/100BASE-T)
Video Compression Format	H.264, MJPEG
Resolution	1920 x 1080, 1280 x 960, 1280 x 720, 1024 x 768, 800 x 600, 720 x 576, 640 x 480, 320 x 240
Max. Framerate	H.264 : Max. 30fps at all resolutions MJPEG : Max. 1fps at 1920 x 1080, 1280 x 960, 1280 x 720, 1024 x 768, Max. 15fps at other resolution
Video Quality Adjustment	H.264 : Target bitrate level control, MJPEG : Quality level control
Bitrate Control Method	H.264 : CBR or VBR, MJPEG : VBR
Streaming Capability	Multiple streaming (Up to 3 profiles)
Audio I/O	Line-in, Line-out, Built-in mic
Audio Compression Format	G.711 u-law / G.726 selectable G.726 (ADPCM) 8KHz, G.711 8KHz, G.726 : 16Kbps, 24Kbps, 32Kbps, 40Kbps
Audio Communication	Uni-directional audio
IP	IPv4, IPv6
Protocol	TCP/IP, UDP/IP, RTP (UDP), RTP (TCP), RTCP, RTSP, NTP, HTTP, HTTPS, SSL/TLS, DHCP, PPPoE, FTP, SMTP, ICMP, IGMP, SNMPv1/v2c/v3 (MIB-2), ARP, DNS, DDNS, QoS, PIM-SM, UPnP, Bonjour
Security	HTTPS (SSL) login authentication, Digest login authentication IP address filtering, User access log, 802.1x authentication
Streaming Method	Unicast / Multicast
Max. User Access	6 users at unicast mode
Storage	micro SD/SDHC max. 32G, NAS - Motion images recorded in the SD memory card can be downloaded - Manual recording at local PC
Application Programming Interface	ONVIF Profile S/G, SUNAPI (HTTP API)
Webpage Language	English, French, German, Spanish, Italian, Chinese, Korean, Russian, Japanese, Swedish, Danish, Portuguese, Turkish, Polish, Czech, Rumanian, Serbian, Dutch, Croatian, Hungarian, Greek, Norwegian, Finnish
Web Viewer	Supported OS : Windows 7, 8, 10, Mac OS X 10.8, 10.9, 10.10, 10.11 Supported Browser : Explore 11, Mozilla Firefox 43, Apple Safari 9 * Mac OS X only SmartViewer
Central Management Software	SmartViewer
ENVIRONMENTAL	
Operating Temperature / Humidity	-30°C ~ +55°C (-22°F ~ +131°F) / Less than 90% RH * Start up should be done at above -20°C (-4°F)
Storage Temperature / Humidity	-30°C ~ +60°C (-22°F ~ +140°F) / Less than 90% RH
Ingress Protection	IP66
Vibration Resistance	EN55011:2009+A1:2010, EN50581:2012, EN50121-3:2015, EN61000-4-2:2009, EN61000-4-3:2006+A2:2010, EN61000-4-4:2012, EN61000-4-5:2014, EN61000-4-6:2009, EN50155:2007, NEMA 4x
Vandal Resistance	IK10
ELECTRICAL	
Input Voltage / Current	PoE (IEEE802.3af, Class2)
Power Consumption	Max. 5.8W
MECHANICAL	
Color / Material	Black / Metal
Dimensions (WxHxD)	99.0 x 52.0 x 100.0mm (3.9" x 2.05" x 3.94")
Weight	300g (0.66 lb)

* Data recorded on an SD memory card may be lost or damaged by data access during power-off, mechanical shock, memory card detachment, or other operations. Data loss or damage can also occur when a memory card reaches end of life, which varies according to operational conditions. No guarantee is given against damage (including passive damage).

* The latest product information / specification can be found at hanwha-security.com