



MST-08MH00-A0100A | 300001725056

MST, Fiber Optic Multiport Service Terminal, 8-port, long 2xN port, dielectric flat loose tube cable, 100 ft

- Hardened connectors are factory-terminated and environmentally sealed for use in optical drop cable deployments
- Plug-and-play adapter ports ensure rapid cable installment in the outside plant access section of the network
- Multiport Service Terminals incorporate hardened connector technology that is designed to withstand the rugged outside plant environment

Configuration Features

Number of Ports	8
Splitter Distribution	None
Number of Cables	1
Number of Splitters	0

Dimensions

Cable Length	30.48 m 100.00 ft
Cable Outer Diameter	4.5 x .8.1 mm
Depth	84.100 mm 3.311 in
Height	414.500 mm 16.319 in
Width	129.500 mm 5.098 in

Housing Features

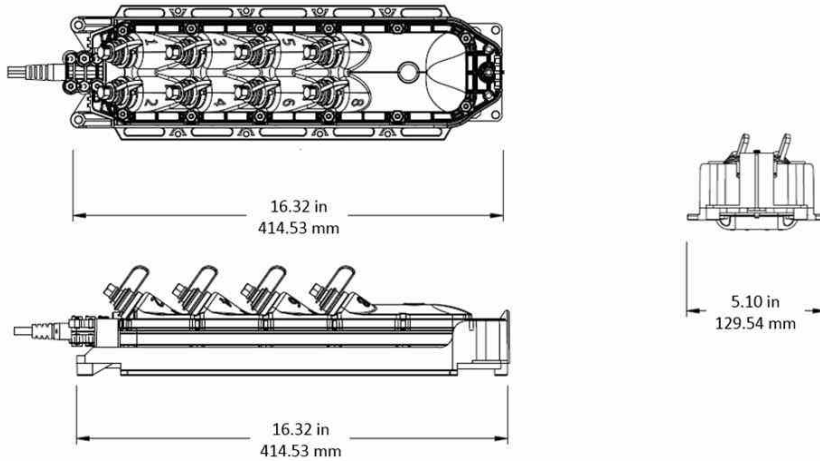
Housing Color	Black
Housing Material	Gasketed hardened plastic
Mounting Type	Pole Mount Hand Hole Mount Pedestal Mount Aerial Mount
Weight (without cable)	1.36 kg 3.00 lb

Industry Standards

Flammability Rating	UL94-5VA
Standards Compliance	GR-3120 GR-326 GR-771

Outline Drawing

MST-08MH00-A0100A | 300001725056



Packaging Features

Includes	Universal Mounting Bracket
Packaging Method	Box/Carton
Packaging Quantity	1

Product Availability

Region	Asia Latin America North America
--------	--------------------------------------

Product Type Features

Connector Type (End A)	Hardened full-size SC/APC adapter
Connector Type (End B)	Stub Tail
Product Type	Access Terminal without Splitter
System	MST
Cable Type	Dielectric - Flat - Loose Tube
Fiber Type	G652.D

Signal Characteristics

Attenuation, maximum (1310nm)	0.40 dB/km
Attenuation, maximum (1550nm)	0.30 dB/km
Directivity (Min)	60.000 dB
Insertion Loss (Max)	0.40 dB
Loss (Max)	10.2 dB
Loss (Typical)	9.7 dB
Operating Wavelength	1260 – 1635 nm
Return Loss, minimum	55 dB

Usage Conditions

Operating Temperature	-40 – 70 °C
Relative Humidity (Operating)	5 – 95 %

Product Specifications



MST-08MH00-A0100A | 300001725056

Weather Resistance IP68 + 2m waterhead | UV-resistant

Regulatory Compliance/Certifications

Agency

RoHS 2011/65/EU

Classification

Compliant

Included Products

MST-UMB-0608 | 1692375 — DLX® MST, Fiber Optic Universal Mounting Bracket, 6/8 port