

## CMAX-O-CPUSEV53

Cell-Max™ Low PIM Omni In-building Antenna, 698–960 MHz and 1710–2700 MHz



### Electrical Specifications

Frequency Band, MHz	698–800	800–960	1710–2200	2200–2700
Gain, dBi	2.0	2.0	2.4	3.3
Beamwidth, Horizontal, degrees	360	360	360	360
Beamwidth, Vertical, degrees	48.0	48.0	35.0	35.0
VSWR   Return Loss, dB	1.5   14.0	1.5   14.0	1.5   14.0	1.5   14.0
PIM, 3rd Order, 2 x 20 W, dBc	-153	-153	-153	-153
Input Power per Port, maximum, watts	50	50	50	50
Polarization	Vertical	Vertical	Vertical	Vertical
Impedance	50 ohm	50 ohm	50 ohm	50 ohm

### General Specifications

Antenna Type	Omni
Application	Indoor
Operating Frequency Band	1710 – 2700 MHz   698 – 960 MHz
Brand	Andrew®
Mount Type	Thru-hole ceiling mount (optional)
Package Quantity	1
Pigtail Cable	670-141SXE, plenum rated

### Mechanical Specifications

Color	White
Pigtail Length	500.0 mm   19.7 in
Radome Material	ABS, UV resistant
RF Connector Interface	N Female

### Environmental Specifications

Operating Temperature	-40 °C to +60 °C (-40 °F to +140 °F)
Relative Humidity	Up to 100%

### Dimensions

Height	135.00 mm   5.31 in
Outer Diameter	204.0 mm   8.0 in
Net Weight	0.4 kg   0.9 lb

### Packed Dimensions

# Product Specifications

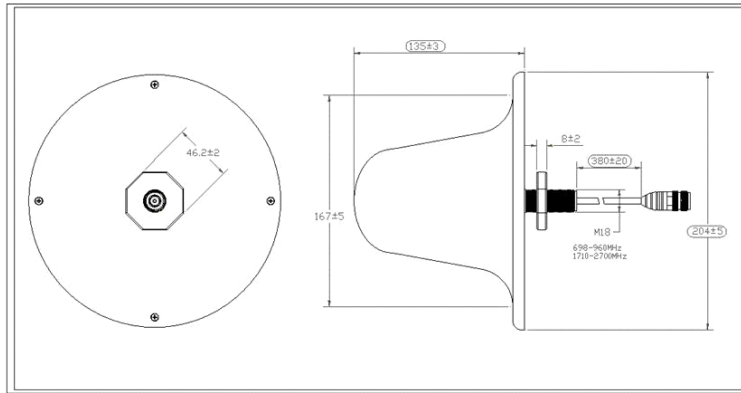


CMAX-OCPUSEV53

Height	185.00 mm   7.28 in
Length	180.0 mm   7.1 in
Width	180.0 mm   7.1 in
Shipping Weight	0.5 kg   1.1 lb

CMAX-O-CPUSEV53

## Outline Drawing



## Regulatory Compliance/Certifications

### Agency

RoHS 2011/65/EU  
ISO 9001:2008

### Classification

Compliant by Exemption  
Designed, manufactured and/or distributed under this quality management system