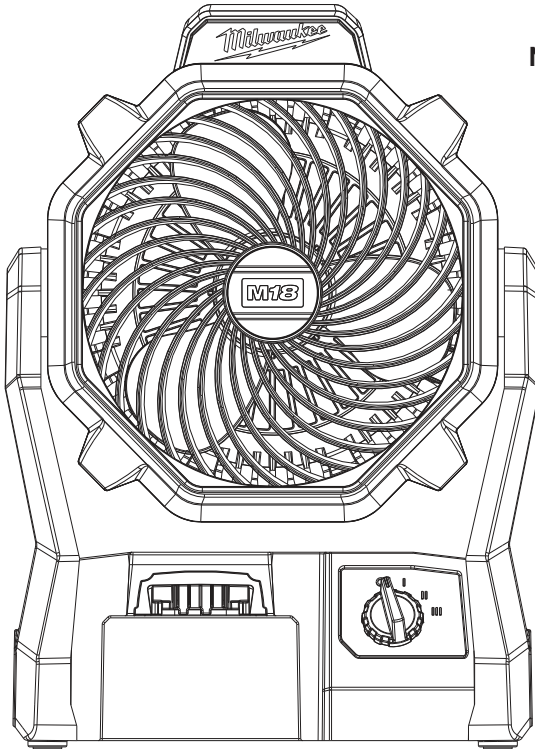




**OPERATOR'S MANUAL
MANUEL de L'UTILISATEUR
MANUAL del OPERADOR**

**Cat. No.
No de Cat.
0886-20**



**M18™ JOBSITE FAN
VENTILATEUR DE CHANTIER M18™
VENTILADOR M18™ PARA OBRA**

TO REDUCE THE RISK OF INJURY, USER MUST READ AND UNDERSTAND OPERATOR'S MANUAL.

AFIN DE RÉDUIRE LE RISQUE DE BLESSURES, L'UTILISATEUR DOIT LIRE ET BIEN COMPRENDRE LE MANUEL DE L'UTILISATEUR.

PARA REDUCIR EL RIESGO DE LESIONES, EL USUARIO DEBE LEER Y ENTENDER EL MANUAL DEL OPERADOR.

IMPORTANT SAFETY INSTRUCTIONS

 **WARNING READ ALL SAFETY WARNINGS AND ALL INSTRUCTIONS.** Failure to follow the warnings and instructions may result in electric shock, fire and/or serious injury. *Save all warnings and instructions for future reference.*

WORK AREA SAFETY

- **Keep work area clean and well lit.** Cluttered or dark areas invite accidents.
- **Do not use fan outdoors.**
- **Do not operate fan in explosive atmospheres, such as in the presence of flammable liquids, gases or dust.** Fans create sparks which may ignite the dust or fumes.
- **Keep children away while operating fan.**

ELECTRICAL SAFETY

- **Do not defeat the safety purpose of the polarized plug.** A polarized plug has two blades with one wider than the other. The wide blade is provided for your safety. If the provided plug does not fit into your outlet, consult an electrician for replacement of the obsolete outlet.
- **Do not use fan near water.** Never expose the fan to dripping and splashing. Never immerse the fan in liquid or allow a liquid to flow inside the fan. Water entering the fan will increase the risk for electric shock.
- **Do not use a damaged cord.** Replace damaged cords immediately. Damaged cords increase the risk of electric shock and may create a fire.
- **Protect the power supply from being walked on or pinched** particularly at plugs, convenience receptacles, and the point where they exit from the fan. Do not cover cord or run under carpeting. Do not abuse the cord. Never use the cord to carry the fan or pull the plug from an outlet. Keep cord away from heat, oil, sharp edges or moving parts.
- **Unplug the fan during lightning storms or when unused for long periods.** Remove power supply from outlet when not in use.

PERSONAL SAFETY

- **Do not overreach. Keep proper footing and balance of fan at all times.** Stable footing on a solid surface enables better control of the fan in unexpected situations.
- **Dress properly. Do not wear loose clothing or jewellery. Keep your hair, clothing and gloves away from moving parts.** Loose clothes, jewelry or long hair can be caught in moving parts.

FAN USE AND CARE

- **Do not install near any heat sources** such as radiators, heat registers, stoves, or other apparatus (including amplifiers) that produce heat.
- **Only operate the fan in a well ventilated area.** Do not block any ventilation openings.
- **Do not operate fan with a damaged or missing grill.**
- **Place the fan switch in the off position and disconnect battery pack or power supply before making any adjustments, changing accessories, cleaning or storing the fan.** Such

preventative measures reduce the risk of starting the fan accidentally.

- **Avoid accidental starting. Be sure switch is in the off position before inserting battery pack or power supply.** Inserting the battery pack or power supply into the fan with the switch on invites accidents.
- **Use only attachments/accessories specified by the manufacturer.**

BATTERY TOOL USE AND CARE

- **This fan is designed to be powered by the MILWAUKEE 18 volt AC/DC power supply Cat. No. 23-81-0701, or an M18 MILWAUKEE Li-ion battery pack.** Do not attempt to use with any other power supply or battery.
- **Use fan only with specifically designated battery packs.** Use of any other batteries may create a risk of fire.
- **Recharge batteries only with the specified charger for the battery.** A charger that may be suitable for one type of battery may create a risk of fire when used with another battery.
- **When battery pack is not in use, keep it away from other metal objects like paper clips, coins, keys, nails, screws, or other small metal objects that can make a connection from one terminal to another.** Shorting the battery terminals together may cause burns or a fire.
- **Under abusive conditions, liquid may be ejected from the battery; avoid contact. If contact accidentally occurs, flush with water. If liquid contacts eyes, additionally seek medical help.** Liquid ejected from the battery may cause irritation or burns.

SERVICE

- **Refer all servicing to qualified service personnel.** Servicing is required when the fan has been damaged in any way, such as power supply cord or plug is damaged, liquid has been spilled or objects have fallen into the fan, the fan has been exposed to rain or moisture or does not operate normally. Service or maintenance performed by unqualified personnel could result in a risk of injury.

SPECIFIC SAFETY RULES

- **Maintain labels and nameplates.** These carry important information. If unreadable or missing, contact a MILWAUKEE service facility for a free replacement.
- **WARNING** Some dust created by power sanding, sawing, grinding, drilling, and other construction activities contains chemicals known to cause cancer, birth defects or other reproductive harm. Some examples of these chemicals are:
 - lead from lead-based paint
 - crystalline silica from bricks and cement and other masonry products, and

- arsenic and chromium from chemically-treated lumber.

Your risk from these exposures varies, depending on how often you do this type of work. To reduce your exposure to these chemicals: work in a well ventilated area, and work with approved safety equipment, such as those dust masks that are specially designed to filter out microscopic particles.

FC Federal Communications Commission

- WARNING:** Changes or modifications to this unit not expressly approved by the party responsible for compliance could void the user's authority to operate the equipment.












This equipment has been tested and found to comply with the limits for a Class B digital device, pursuant to Part 15 of the FCC Rules. These limits are designed to provide reasonable protection against harmful interference in a residential installation. This equipment generates, uses and can radiate radio frequency energy and, if not installed and used in accordance with the instructions, may cause harmful interference to radio communications.

However, there is no guarantee that interference will not occur in a particular installation. If this equipment does cause harmful interference to radio or television reception, which can be determined by turning the equipment off and on, the user is encouraged to try to correct the interference by one or more of the following measures:

- Reorient or relocate the receiving antenna.
- Increase the separation between the equipment and receiver.
- Connect the equipment into an outlet on a circuit different from that to which the receiver is connected.

- Consult the dealer or an experienced radio/TV technician for help.

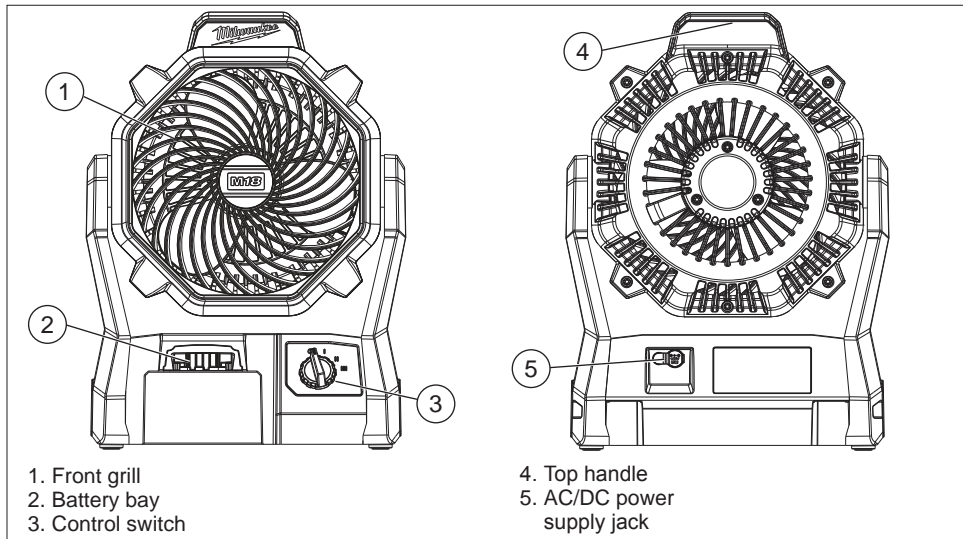
SYMBOLGY

	To reduce the risk of injury, user must read operator's manual.
	Warning
	Double Insulated
	Volts
	Direct Current
	Underwriters Laboratories, Inc., United States and Canada
	Indoor Use Only
	Energy Efficiency
	Energy Verified
	Limited Output Power
	Federal Communications Commission

SPECIFICATIONS

Cat. No.	DC Volts	DC Amps
0886-20	18	2.5

FUNCTIONAL DESCRIPTION



EXTENSION CORDS

Double insulated tools can use either a two or three wire extension cord. As the distance from the supply outlet increases, you must use a heavier gauge extension cord. Using extension cords with inadequately sized wire causes a serious drop in voltage, resulting in loss of power and possible tool damage. Refer to the table shown to determine the required minimum wire size.

The smaller the gauge number of the wire, the greater the capacity of the cord. For example, a 14 gauge cord can carry a higher current than a 16 gauge cord. When using more than one extension cord to make up the total length, be sure each cord contains at least the minimum wire size required. If you are using one extension cord for more than one tool, add the nameplate amperes and use the sum to determine the required minimum wire size.

Guidelines for Using Extension Cords

- If you are using an extension cord outdoors, be sure it is marked with the suffix "W-A" ("W" in Canada) to indicate that it is acceptable for outdoor use.
- Be sure your extension cord is properly wired and in good electrical condition. Always replace a damaged extension cord or have it repaired by a qualified person before using it.
- Protect your extension cords from sharp objects, excessive heat and damp or wet areas.
- Unplug all cords during lightning storms or when unused for long periods of time.

Recommended Min. Wire Gauge for Extension Cords*

Nameplate Amperes	Extension Cord Length				
	25'	50'	75'	100'	150'
0 - 2.0	18	18	18	18	16
2.1 - 3.4	18	18	18	16	14
3.5 - 5.0	18	18	16	14	12
5.1 - 7.0	18	16	14	12	12
7.1 - 12.0	16	14	12	10	
12.1 - 16.0	14	12	10		
16.1 - 20.0	12	10			

* Based on limiting the line voltage drop to five volts at 150% of the rated amperes.

ASSEMBLY



WARNING Recharge only with the charger specified for the battery. For specific charging instructions, read the operator's manual supplied with your charger and battery.

Inserting/Removing Battery Pack

Insert the battery pack by sliding it into the battery bay on the front of the fan. Insert the battery pack until it clicks in place.

To **remove** the battery pack, push in the release buttons and pull the battery pack away from the tool.

Battery Pack Protection

To protect the life of the battery pack, the fan will shut off when the battery's charge becomes too low. If this happens, remove the battery pack and charge it according to the charger's instructions.

Using the AC/DC Power Supply

Only use **MILWAUKEE** 18 volt AC/DC power supply Cat. No. 23-81-0701. Insert the power supply into the 18 volt DC jack on the back of the fan. Plug the power supply into a suitable wall outlet.

OPERATION



WARNING Always remove battery pack before changing or removing accessories. Only use accessories specifically recommended for this fan. Others may be hazardous.



WARNING To reduce the risk of fire or electric shock, do not expose this fan to water, rain or, moisture.

Turning On/Off

To turn the fan **On**, rotate the control switch from **O** to **I**. To turn the fan **Off**, return the control switch to **O**.

To adjust the speed of the fan, rotate the control switch between the **I**, **II** and **III** speed positions.

I - Low

II - Medium

III - High

Adjusting Fan Angle

To adjust the fan angle, grasp fan by the top handle and tilt fan forwards or backwards. The fan can pivot forwards to a range of 30°; with detents every 15°. The fan can pivot backwards to a range of 90°; with detents every 15°.

MAINTENANCE

⚠ WARNING To reduce the risk of injury, always unplug the charger and tool and remove the battery pack from the charger and tool before performing any maintenance. Never disassemble the tool, battery pack or charger. Contact a **MILWAUKEE** service facility for ALL repairs.

Maintaining Tool

Keep your tool, battery pack and charger in good repair by adopting a regular maintenance program. If the tool does not start or operate at full power with a fully charged battery pack, clean the contacts on the battery pack. If the tool still does not work properly, return the tool, charger and battery pack, to a **MILWAUKEE** service facility for repairs.

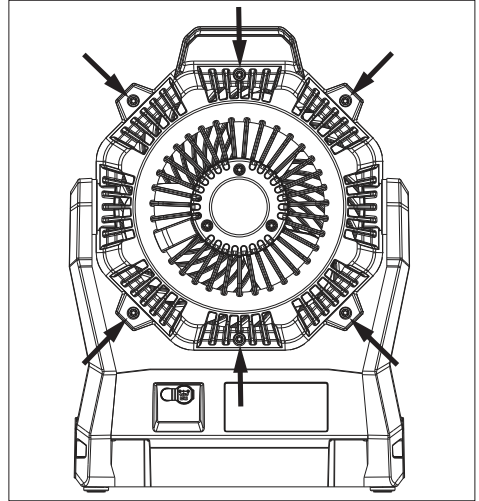
⚠ WARNING To reduce the risk of personal injury and damage, never immerse your fan, battery pack or charger in liquid or allow a liquid to flow inside them.

Cleaning

Disconnect the battery pack and power supply from fan before cleaning. Clean dust and debris from charger and tool vents. Keep tool handles clean, dry and free of oil or grease. Use only mild soap and a damp cloth to clean the tool, battery pack and charger since certain cleaning agents and solvents are harmful to plastics and other insulated parts. Some of these include gasoline, turpentine, lacquer thinner, paint thinner, chlorinated cleaning solvents, ammonia and household detergents containing ammonia. Never use flammable or combustible solvents around tools.

Cleaning the Front Grill

⚠ Always disconnect the battery pack and power supply from fan before cleaning. Clean fan grill periodically with a vacuum wand. For heavy build up, remove the front grill by removing the six screws located at the back of the fan along its outer edges. Dust or wipe grill with a mild soap. Do not place grill in a dishwasher. Excessive heat can distort the plastic. **⚠ Always reinstall the front grill before use.**



Cleaning the Blades

⚠ Always disconnect the battery pack and power supply from fan before cleaning. Remove the front grill. Wipe blades with a damp cloth. Do not remove blades. If fan is used in a greasy environment, such as a kitchen, mild soap or a common household cleaner may be necessary. Do not use solvents. Do not place in a dishwasher. Excessive heat can distort the plastic. **⚠ Always reinstall the front grill before use.**

Repairs

For repairs, return the tool, battery pack and charger to the nearest service center listed on the back cover of this operator's manual.

ACCESSORIES

⚠ WARNING Always remove battery pack before changing or removing accessories. Only use accessories specifically recommended for this tool. Others may be hazardous.

For a complete listing of accessories refer to your **MILWAUKEE** Electric Tool catalog or go online to www.milwaukeeetool.com. To obtain a catalog, contact your local distributor or a service center.

LIMITED WARRANTY - USA AND CANADA

Every *MILWAUKEE* power tool (including cordless product – tool, battery pack(s) - see separate & distinct **CORDLESS BATTERY PACK LIMITED WARRANTY** statements & battery charger and Work Lights*) is warranted to the original purchaser only to be free from defects in material and workmanship. Subject to certain exceptions, *MILWAUKEE* will repair or replace any part on an electric power tool which, after examination, is determined by *MILWAUKEE* to be defective in material or workmanship for a period of five (5) years* after the date of purchase unless otherwise noted. Return of the power tool to a *MILWAUKEE* factory Service Center location or *MILWAUKEE* Authorized Service Station, freight prepaid and insured, is required. A copy of the proof of purchase should be included with the return product. This warranty does not apply to damage that *MILWAUKEE* determines to be from repairs made or attempted by anyone other than *MILWAUKEE* authorized personnel, misuse, alterations, abuse, normal wear and tear, lack of maintenance, or accidents.

*The warranty period for, Job Site Radios, M12™ Power Port, M18™ Power Source, Jobsite Fan and Trade Titan™ Industrial Work Carts is one (1) year from the date of purchase. The warranty period for a LED Work Light and LED Upgrade Bulb is a limited LIFETIME warranty to the original purchaser only, if during normal use the LED bulb fails the Work Light or Upgrade Bulb will be replaced free of charge.

*This warranty does not cover Air Nailers & Stapler, Airless Paint Sprayer, Cordless Battery Packs, Gasoline Driven Portable Power Generators, Hand Tools, Hoist – Electric, Lever & Hand Chain, M12™ Heated Jackets, Reconditioned product and Test & Measurement products. There are separate and distinct warranties available for these products.

Warranty Registration is not necessary to obtain the applicable warranty on a *MILWAUKEE* power tool product. The manufacturing date of the product will be used to determine the warranty period if no proof of purchase is provided at the time warranty service is requested.

ACCEPTANCE OF THE EXCLUSIVE REPAIR AND REPLACEMENT REMEDIES DESCRIBED HEREIN IS A CONDITION OF THE CONTRACT FOR THE PURCHASE OF EVERY *MILWAUKEE* PRODUCT. IF YOU DO NOT AGREE TO THIS CONDITION, YOU SHOULD NOT PURCHASE THE PRODUCT. IN NO EVENT SHALL *MILWAUKEE* BE LIABLE FOR ANY INCIDENTAL, SPECIAL, CONSEQUENTIAL OR PUNITIVE DAMAGES, OR FOR ANY COSTS, ATTORNEY FEES, EXPENSES, LOSSES OR DELAYS ALLEGED TO BE AS A CONSEQUENCE OF ANY DAMAGE TO, FAILURE OF, OR DEFECT IN ANY PRODUCT INCLUDING, BUT NOT LIMITED TO, ANY CLAIMS FOR LOSS OF PROFITS. SOME STATES DO NOT ALLOW THE EXCLUSION OR LIMITATION OF INCIDENTAL OR CONSEQUENTIAL DAMAGES, SO THE ABOVE LIMITATION OR EXCLUSION MAY NOT APPLY TO YOU. THIS WARRANTY IS EXCLUSIVE AND IN LIEU OF ALL OTHER EXPRESS WARRANTIES, WRITTEN OR ORAL. TO THE EXTENT PERMITTED BY LAW, *MILWAUKEE* DISCLAIMS ANY IMPLIED WARRANTIES, INCLUDING WITHOUT LIMITATION ANY IMPLIED WARRANTY OF MERCHANTABILITY OR FITNESS FOR A PARTICULAR USE OR PURPOSE; TO THE EXTENT SUCH DISCLAIMER IS NOT PERMITTED BY LAW, SUCH IMPLIED WARRANTIES ARE LIMITED TO THE DURATION OF THE APPLICABLE EXPRESS WARRANTY AS DESCRIBED ABOVE. SOME STATES DO NOT ALLOW LIMITATIONS ON HOW LONG AN IMPLIED WARRANTY LASTS, SO THE ABOVE LIMITATION MAY NOT APPLY TO YOU, THIS WARRANTY GIVES YOU SPECIFIC LEGAL RIGHTS, AND YOU MAY ALSO HAVE OTHER RIGHTS WHICH VARY FROM STATE TO STATE. This warranty applies to product sold in the U.S.A. and Canada only.

Please consult the 'Service Center Search' in the Parts & Service section of *MILWAUKEE*'s website www.milwaukeekeetool.com or call **1.800.SAWDUST (1.800.729.3878)** to locate your nearest service facility for warranty and non-warranty service on a Milwaukee electric power tool.

LIMITED WARRANTY - MEXICO, CENTRAL AMERICA AND CARIBBEAN

TECHTRONIC INDUSTRIES' warranty is for 5 year since the original purchase date.

This warranty card covers any defect in material and workmanship on this Power Tool.

To make this warranty valid, present this warranty card, sealed/stamped by the distributor or store where you purchased the product, to the Authorized Service Center (ASC). Or, if this card has not been sealed/stamped, present the original proof of purchase to the ASC.

Call toll-free 1 800 832 1949 to find the nearest ASC, for service, parts, accessories or components.

Procedure to make this warranty valid

Take the product to the ASC, along with the warranty card sealed/stamped by the distributor or store where you purchased the product, and there any faulty piece or component will be replaced without cost for you. We will cover all freight costs relative with this warranty process.

Exceptions

This warranty is not valid in the following situations:

- When the product is used in a different manners from the end-user guide or instruction manual.
- When the conditions of use are not normal.
- When the product was modified or repaired by people not authorized by TECHTRONIC INDUSTRIES.

Note: If cord set is damaged, it should be replaced by an Authorized Service Center to avoid electric risks.

Model: _____

Date of Purchase: _____

Distributor or Store Stamp: _____

SERVICE AND ATTENTION CENTER
Av Presidente Mazarik 29 Piso 7, 11570 Chapultepec Morales
Miguel Hidalgo, Distrito Federal, Mexico
Ph. 52 55 4160-3547

IMPORTED AND COMMERCIALIZED BY:
TECHTRONIC INDUSTRIES MEXICO, .S.A. DE C.V.
Av Presidente Mazarik 29 Piso 7, 11570 Chapultepec Morales
Miguel Hidalgo, Distrito Federal, Mexico

CONSIGNES DE SÉCURITÉ IMPORTANTES

⚠ AVERTISSEMENT LIRE TOUTES LES RÈGLES ET INSTRUCTIONS DE SÉCURITÉ. Ne pas suivre l'ensemble des règles et instructions peut entraîner une électrocution, un incendie ou des blessures graves. **Conserver les règles et les instructions à des fins de référence ultérieure.**

SÉCURITÉ DU LIEU DE TRAVAIL

- **Maintenir la zone de travail propre et bien éclairée.** Les zones encombrées ou mal éclairées sont favorables aux accidents.
- **Ne pas utiliser le ventilateur à l'extérieur.**
- **Ne pas utiliser le ventilateur dans des atmosphères explosives, par exemple en présence de liquides, gaz ou poussières inflammables.** Les ventilateurs produisent des étincelles risquant d'enflammer les poussières ou vapeurs.
- **Garder les enfants éloignés pendant le fonctionnement du ventilateur.**

SÉCURITÉ ÉLECTRIQUE

- **Ne pas détériorer la sécurité de la fiche polarisée.** Une fiche polarisée possède deux lames dont l'une est plus large que l'autre. La lame la plus large est prévue pour votre sécurité. Si la fiche fournie ne rentre pas dans la prise secteur, faire appel à un électricien pour qu'il procède au remplacement de la prise obsolète.
- **Ne pas utiliser de l'eau à proximité du ventilateur.** Ne jamais exposer le ventilateur à des risques de coulures et d'éclaboussures. Ne jamais immerger le ventilateur dans un liquide ou laisser un liquide s'infiltrer dans celui-ci. La pénétration de l'eau dans le ventilateur accroît le risque de choc électrique.
- **Ne pas utiliser un cordon endommagé.** Remplacer immédiatement tout cordon endommagé. Un cordon endommagé accroît le risque de choc électrique et peut causer un incendie.
- **Protéger le cordon d'alimentation de sorte qu'il ne soit ni piétiné ni pincé** en particulier au niveau des fiches, des prises de courant et du point de sortie du ventilateur. Ne pas glisser le cordon électrique sous un tapis. Ne pas maltraiter le cordon d'alimentation. Ne jamais utiliser le cordon d'alimentation pour transporter le ventilateur et ne jamais débrancher ce dernier en tirant sur le cordon. Garder le cordon à l'écart de la chaleur, de l'huile, des objets tranchants et des pièces en mouvement.
- **Débrancher le ventilateur pendant les orages ou lorsqu'il n'est pas utilisé pendant de longues périodes.** Débrancher l'alimentation de la prise lorsque l'outil n'est pas utilisé.

SÉCURITÉ INDIVIDUELLE

- **Ne pas travailler hors de portée.** Toujours tenir le ventilateur bien campé et en équilibre. Une position stable sur une surface ferme permet de mieux contrôler le ventilateur en cas de situation imprévue.
- **Porter une tenue appropriée.** Ne porter ni vêtements amples ni bijoux. Garder les cheveux, les vêtements et les gants à l'écart des pièces

en mouvement. Les vêtements flottants, les bijoux ou les cheveux longs risquent d'être happés par les pièces en mouvement.

UTILISATION ET ENTRETIEN DU VENTILATEUR

- **Ne pas installer l'appareil à proximité de sources de chaleur** comme des radiateurs, des registres de chaleur, des poêles ou d'autres appareils (notamment des amplificateurs) produisant de la chaleur.
- **Utiliser uniquement le ventilateur dans un lieu bien ventilé.** Ne pas obstruer les ouvertures de ventilation.
- **Ne pas utiliser le ventilateur si la grille est endommagée ou manquante.**
- **Placer le commutateur du ventilateur en position arrêt et débrancher le bloc-piles ou l'alimentation électrique avant d'effectuer des réglages, de changer d'accessoire, de nettoyer ou de remettre le ventilateur.** Ces mesures de sécurité réduisent les risques de démarrage accidentel du ventilateur.
- **Éviter les démarrages accidentels.** S'assurer que le commutateur est en position arrêt avant d'insérer le bloc-piles ou l'alimentation électrique. L'insertion du bloc-piles ou l'alimentation électrique avec le commutateur en position de marche est une invite aux accidents.
- **Utiliser seulement des accessoires spécifiés par le fabricant.**

UTILISATION ET ENTRETIEN DE LA BATTERIE

- **Ce ventilateur fonctionne avec une alimentation c.a./c.c. de 18 V de MILWAUKEE, no de cat. 23-81-0701, ou un bloc-piles Li-ion M18 de MILWAUKEE.** Ne pas tenter d'utiliser cet appareil avec un autre type d'alimentation ou de piles.
- **N'utiliser le ventilateur qu'avec des blocs-piles recommandés.** L'usage de tout autre bloc-piles peut créer un risque d'incendie.
- **Ne recharger les piles qu'avec le chargeur spécifié.** Un chargeur approprié pour un type de piles peut créer un risque d'incendie s'il est utilisé avec un autre type de piles.
- **Lorsque la batterie est hors service, la ranger à l'écart d'autres objets métalliques tels que trombones, pièces de monnaie, clés, clous, vis et autres petits objets métalliques qui peuvent établir une connexion d'une borne à l'autre.** Un court-circuit aux bornes de la batterie peut provoquer des brûlures ou un incendie.
- **Du liquide peut être éjecté de la batterie en cas de manutention abusive ; éviter tout contact.** En cas de contact accidentel avec les projections, rincer à l'eau. En cas de contact avec les yeux, consulter un médecin. Le liquide

s'échappant de la batterie peut provoquer des irritations ou des brûlures.

ENTRETIEN

- **Confier toute réparation à un personnel de service qualifié.** Une réparation est nécessaire si le ventilateur est endommagé d'une façon quelconque, comme : cordon ou prise d'alimentation endommagé(e), liquide renversé ou objets tombés dans le ventilateur, exposition du ventilateur à la pluie ou à l'humidité, ou si l'appareil ne fonctionnant pas normalement. La réparation ou l'entretien par des personnes non qualifiées présente des risques de blessures.

RÈGLES DE SÉCURITÉ SPÉCIFIQUES

- **Maintenir en l'état les étiquettes et les plaques d'identification.** Des informations importantes y figurent. Si elles sont illisibles ou manquantes, contacter un centre de services et d'entretien *MILWAUKEE* pour un remplacement gratuit.

- **AVERTISSEMENT** Certaines poussières générées par les activités de ponçage, de coupe, de rectification, de perçage et d'autres activités de construction contiennent des substances considérées être la cause de malformations congénitales et de troubles de l'appareil reproducteur. Parmi ces substances figurent:

- le plomb contenu dans les peintures à base de plomb
- la silice cristalline des briques, du ciment et d'autres matériaux de maçonnerie, ainsi que
- l'arsenic et le chrome des sciages traités chimiquement.

Les risques encourus par l'opérateur envers ces expositions varient en fonction de la fréquence de ce type de travail. Pour réduire l'exposition à ces substances chimiques, l'opérateur doit : travailler dans une zone bien ventilée et porter l'équipement de sécurité approprié, tel qu'un masque anti-poussière spécialement conçu pour filtrer les particules microscopiques.

FC Federal Communications Commission












- **AVERTISSEMENT:** Les changements ou les modifications apportés à cette unité non expressément approuvés par l'organisme responsable de la conformité peuvent annuler l'autorité de l'utilisateur à utiliser cet équipement.

Cet équipement a été testé et déclaré conforme aux limites des dispositifs numériques de classe B, en vertu de la section 15 des réglementations de la FCC. Ces limites ont pour but de fournir une protection raisonnable contre les interférences nuisibles dans le cadre d'une installation résidentielle. Cet équipement génère, utilise et peut émettre de l'énergie de radiofréquence. Il est donc recommandé de l'installer et de l'utiliser conformément aux instructions afin d'éviter toute interférence nuisible aux communications radio. Cependant, il n'existe aucune garantie selon laquelle des interférences ne se produiront pas dans le cas d'une installation spécifique. Si cet appareil provoque des interférences nuisibles

pour les réceptions radio et télévisées, ce qui peut être déterminé en l'éteignant puis en le rallumant, il est conseillé d'y remédier en suivant l'une ou plusieurs des mesures suivantes:

- Réorienter ou repositionner l'antenne réceptrice.
- Augmenter l'espace entre l'équipement et le récepteur.
- Brancher l'équipement dans une prise sur un circuit différent de celui sur lequel le récepteur est connecté.
- Consulter le concessionnaire ou un technicien radio/TV expérimenté pour obtenir de l'aide.

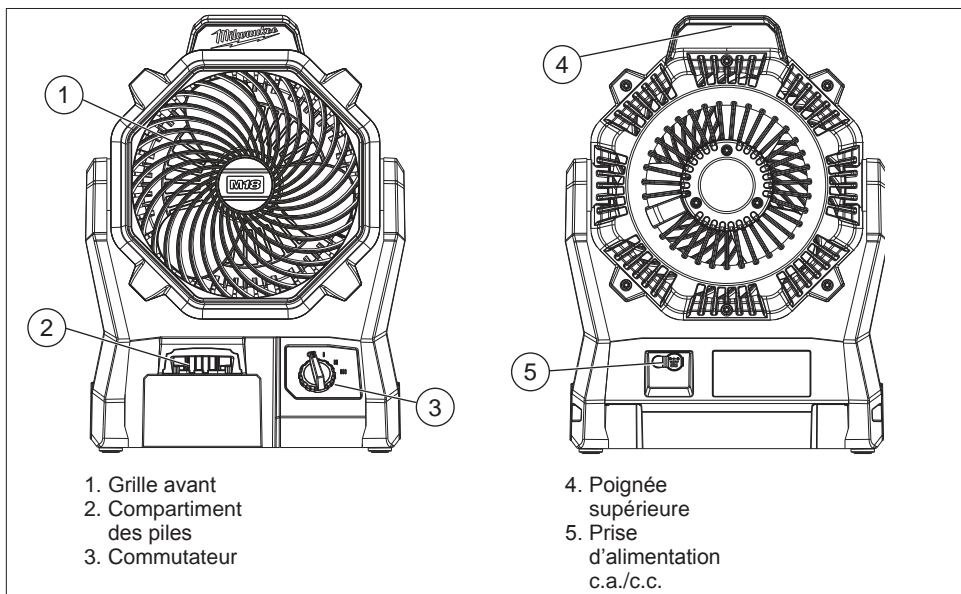
PICTOGRAPHIE

	Afin de réduire le risque de blessures, l'utilisateur doit lire le manuel de l'utilisateur.
	Avertissement
	Double isolation
	Volts
	Courant continu
	Underwriters Laboratories, Inc., États-Unis et Canada
	Utilisation en intérieur uniquement
	Efficacité énergétique
	Énergie vérifiée
	Puissance de sortie limitée
	Federal Communications Commission

SPÉCIFICATIONS

No de Cat.	Volts cc	Ampères cc
0886-20	18	2,5

DESCRIPTION FONCTIONNELLE



CORDONS DE RALLONGE

Pour les outils à double isolation, on peut employer indifféremment un cordon de rallonge à deux ou trois fils. Plus la longueur du cordon entre l'outil et la prise de courant est grande, plus le calibre du cordon doit être élevé. L'utilisation d'un cordon de rallonge incorrectement calibré entraîne une chute de voltage résultant en une perte de puissance qui risque de détériorer l'outil. Reportez-vous au tableau ci-contre pour déterminer le calibre minimum du cordon.

Moins le calibre du fil est élevé, plus sa conductivité est bonne. Par exemple, un cordon de calibre 14 a une meilleure conductivité qu'un cordon de calibre 16. Lorsque vous utilisez plus d'une rallonge pour couvrir la distance, assurez-vous que chaque cordon possède le calibre minimum requis. Si vous utilisez un seul cordon pour brancher plusieurs outils, additionnez le chiffre d'intensité (ampères) inscrit sur la fiche signalétique de chaque outil pour obtenir le calibre minimal requis pour le cordon.

Directives pour l'emploi des cordons de rallonge


- Si vous utilisez une rallonge à l'extérieur, assurez-vous qu'elle est marquée des sigles « W-A » (« W » au Canada) indiquant qu'elle est adéquate pour usage extérieur.
- Assurez-vous que le cordon de rallonge est correctement câblé et en bonne condition. Remplacez tout cordon de rallonge détérioré ou faites-le remettre en état par une personne compétente avant de vous en servir.
- Tenez votre cordon de rallonge à l'écart des objets ranchants, des sources de grande chaleur et des endroits humides ou mouillés.
- Débranchez tous les cordons pendant les orages avec éclairs ou en cas d'inutilisation prolongée.

Calibres minimaux recommandés pour les cordons de rallonge*

Fiche signalétique Ampères	Longueur du cordon de rallonge (m)					
	7,6	12,2	22,8	30,4	45,7	60,9
0 - 5,0	16	16	16	14	12	12
5,1 - 8,0	16	16	14	12	10	--
8,1 - 12,0	14	14	12	10	--	--
12,1 - 15,0	12	12	10	10	--	--
15,1 - 20,0	10	10	10	--	--	--

* Basé sur sur une chute de voltage limite de 5 volts à 150% de l'intensité moyenne de courant.

MONTAGE DE L'OUTIL

 **AVERTISSEMENT** Il faut toujours retirer la batterie avant de changer ou d'enlever les accessoires. L'emploi d'accessoires autres que ceux qui sont expressément recommandés pour cet outil peut comporter des risques.

Insertion et retrait de la batterie

Insérer le bloc-piles en le glissant dans le compartiment des piles situé à l'avant du ventilateur. Insérer le bloc-piles jusqu'à ce qu'il s'enclenche en place. Pour retirer le bloc-piles, appuyer sur les boutons de relâchement et extraire le bloc-pile de l'outil.


Protection du bloc-piles

Pour prolonger la durée de vie du bloc-piles, la ventilateur s'éteint lorsque le niveau de charge de ce dernier devient trop faible. Si cela se produit, retirer le bloc-piles et le charger conformément aux instructions du chargeur.

Utilisation de l'alimentation universelle

Utiliser uniquement l'alimentation c.a./c.c. de 18 V de MILWAUKEE, no de cat. 23-81-0701. Insérer l'alimentation dans la prise CC de 18 V à l'arrière du ventilateur. Brancher l'alimentation dans une prise murale appropriée.

MANIEMENT

 **AVERTISSEMENT** Toujours retirer le bloc-piles avant de changer ou de retirer les accessoires. Utiliser seulement des accessoires spécialement recommandés pour ce ventilateur. L'utilisation d'autres types d'accessoires pourrait entraîner des situations dangereuses.

 **AVERTISSEMENT** Pour réduire les risques d'incendie et de choc électrique, ne pas exposer ce ventilateur à l'eau, la pluie ou l'humidité.

Mise en marche et à l'arrêt

Pour allumer le ventilateur, tourner le commutateur de la position **O** vers la position **I**. Pour éteindre le ventilateur, tourner le commutateur vers la position **O**.

Pour régler la vitesse du ventilateur, basculer le commutateur entre les positions de vitesse **I**, **II** et **III**.

I - Faible

II - Moyenne

III - Haute

Ajuster l'angle du ventilateur


Pour ajuster l'angle du ventilateur, saisir la poignée supérieure du ventilateur et incliner le ventilateur vers l'avant ou vers l'arrière. Il est possible de faire pivoter le ventilateur vers l'avant jusqu'à 30° ; les crans sont situés à tous les 15° ; les crans sont situés à tous les 15°. Il est possible de faire pivoter le ventilateur vers l'arrière jusqu'à 90° ; les crans sont situés à tous les 15°.

ENTRETIEN

 **AVERTISSEMENT** Pour réduire le risque de blessure, toujours débrancher le chargeur et l'outil et retirer le bloc-piles du chargeur et de l'outil avant d'effectuer toute opération d'entretien. Ne jamais démonter l'outil, le bloc-piles ou le chargeur. Pour TOUTE réparation, communiquer avec un centre de service MILWAUKEE.

Entretien de l'outil

Gardez l'outil, la batterie et le chargeur en bon état en adoptant un programme d'entretien ponctuel. Si l'outil ne démarre pas ou ne fonctionne pas à pleine puissance alors qu'il est branché sur une batterie complètement chargée, nettoyez les points de contact entre la batterie et l'outil. Si l'outil ne fonctionne toujours pas correctement, renvoyez l'outil, le chargeur et la batterie à un centre de service MILWAUKEE accrédité, afin qu'on effectue la réparation.

 **AVERTISSEMENT** Pour réduire le risque de blessures et de dommage, ne jamais immerger le ventilateur, le bloc-piles ou le chargeur dans un liquide ou laisser un liquide s'infiltrer dans ceux-ci.

Nettoyage

Débrancher le bloc-piles et l'alimentation du ventilateur avant de le nettoyer. Nettoyer le chargeur et les événements de l'outil des débris et de la poussière. Gardez les poignées de l'outil propres, à sec et exemptes d'huile ou de graisse. Le nettoyage de l'outil, du chargeur et de la batterie doit se faire avec un linge humide et un savon doux. Certains nettoyeurs tels l'essence, la térébenthine, les diluants à laque ou à peinture, les solvants chlorés, l'ammoniaque et les détergents d'usage domestique qui en contiennent pourraient détériorer le plastique et l'isolation des pièces. Ne laissez jamais de solvants inflammables ou combustibles auprès de l'outil.

ACCESSOIRES

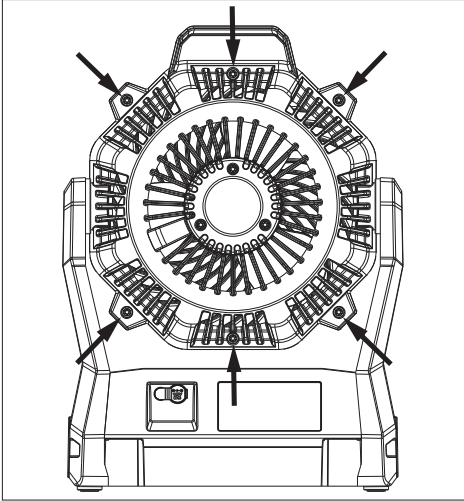


AVERTISSEMENT Retirez toujours la batterie avant de changer ou d'enlever les accessoires. L'utilisation d'autres accessoires que ceux qui sont spécifiquement recommandés pour cet outil peut comporter des risques.

Pour une liste complète des accessoires, prière de se reporter au catalogue *MILWAUKEE* Electric Tool ou visiter le site internet www.milwaukeetool.com. Pour obtenir un catalogue, il suffit de contacter votre distributeur local ou l'un des centres-service.

Nettoyer la grille avant

⚠ Toujours débrancher le bloc-piles et l'alimentation du ventilateur avant de le nettoyer. Nettoyer la grille du ventilateur régulièrement à l'aide du tube rallonge d'aspirateur. Pour l'accumulation lourde, retirer la grille avant en retirant les six vis à l'arrière du ventilateur sur les rebords extérieurs. Essuyer la grille avec du savon doux. Ne pas placer la grille dans le lave-vaisselle. La chaleur excessive peut déformer le plastique. **⚠ Toujours réinstaller la grille avant d'utiliser le ventilateur.**



Nettoyer les lames

⚠ Toujours débrancher le bloc-piles et l'alimentation du ventilateur avant de le nettoyer. Retirer la grille avant. Essuyer les lames avec un chiffon humide. Ne pas enlever les lames. Si le ventilateur est utilisé dans un environnement gras comme dans le cas d'une cuisine, du savon doux ou un détergent domestique peut être utilisé. Ne pas utiliser des solvants. Ne pas les placer dans le lave-vaisselle. La chaleur excessive peut déformer le plastique. **⚠ Toujours réinstaller la grille avant d'utiliser le ventilateur.**

Réparations

Pour les réparations, retournez outil, batterie et chargeur en entier au centre-service le plus près, selon la liste apparaissant à la dernière page de ce manuel.

GARANTIE LIMITÉE - AUX ÉTATS-UNIS ET AU CANADA

Chaque outil électrique MILWAUKEE (y compris les produits sans fil [outils, piles, chargeur de piles, lampe de travail], consulter les énoncés de la GARANTIE LIMITÉE DES BLOCS-PILES SANS FIL) est garanti à l'acheteur d'origine être exempt de vice de matériau et de fabrication. Sous réserve de certaines exceptions, MILWAUKEE réparera ou remplacera toute pièce d'un outil électrique qui, après examen par MILWAUKEE, s'est avérée être affectée d'un vice de matériau ou de fabrication pendant une période de cinq (5) ans* après la date d'achat, sauf indication contraire. Retourner l'outil électrique, à un centre de réparations en usine MILWAUKEE ou à un poste d'entretien agréé MILWAUKEE, en port prépayé et assuré. Une copie de la preuve d'achat doit être présentée au moment de retourner le produit. Cette garantie ne couvre pas les dommages que MILWAUKEE détermine être causés par des réparations ou des tentatives de réparation par quiconque autre que le personnel agréé par MILWAUKEE, des utilisations incorrectes, des altérations, des utilisations abusives, une usure normale, une carence d'entretien ou des accidents.

*La période de garantie applicable pour les radios de chantier, le port d'alimentation M12™, Source d'énergie M18™, Ventilateur de chantier et les chariots de travail industriels Trade Titan™ est d'une durée d'un (1) an à partir de la date d'achat. La période de la garantie couvrant la lampe de travail à DÉL et l'ampoule améliorée à DÉL est une garantie À VIE limitée à l'acheteur d'origine seulement; si, lors d'une utilisation normale, l'ampoule à DÉL présente une défectuosité, la lampe de travail et l'ampoule seront remplacés sans frais.

*Cette garantie ne s'applique pas aux cloueuses-agrafeuses pneumatiques, aux pulvérisateurs à peinture sans air, aux blocs piles pour outils sans fil, aux génératrices d'alimentation portatives à essence, aux outils à main, aux monte-charge – électrique, à levier et à chaîne (manuel), aux vestes chauffantes M12™, aux produits réusinés, ni aux produits d'essai et de mesure. Il existe des garanties distinctes pour ces produits.

L'enregistrement de la garantie n'est pas nécessaire pour bénéficier de la garantie en vigueur sur un outil électrique MILWAUKEE. La date de fabrication du produit servira à établir la période de garantie si aucune preuve d'achat n'est fournie lorsqu'une demande de service sous garantie est présentée.

L'ACCEPTATION DES RECOURS EXCLUSIFS DE RÉPARATION ET DE REMPLACEMENT DÉCRITS AUX PRÉSENTES EST UNE CONDITION DU CONTRAT D'ACHAT DE TOUT PRODUIT MILWAUKEE. SI VOUS N'ACCEPTÉZ PAS CETTE CONDITION, VOUS NE DEVEZ PAS ACHETER LE PRODUIT. EN AUCUN CAS MILWAUKEE NE SAURAIT ÊTRE RESPONSABLE DE TOUT DOMMAGE ACCESSOIRE, SPÉCIAL OU INDIRECT, DE DOMMAGES-INTÉRÊTS PUNITIFS OU DE TOUTE DÉPENSE, D'HONORAIRES D'AVOCATS, DE FRAIS, DE PERTE OU DE DÉLAIS ACCESSOIRES À TOUT DOMMAGE, DÉFAILLANCE OU DÉFAUT DE TOUT PRODUIT, Y COMPRIS NOTAMMENT LES PERTES DE PROFIT. CERTAINS ÉTATS ET PROVINCES NE PERMETTANT PAS L'EXCLUSION OU LA LIMITATION DES DOMMAGES DIRECTS OU INDIRECTS, LES RESTRICTIONS CI-DESSUS PEUVENT NE PAS ÊTRE APPLICABLES. CETTE GARANTIE EST EXCLUSIVE ET REMPLACE TOUTE AUTRE GARANTIE EXPRESSE, QU'ELLE SOIT ORALE OU ÉCRITE. DANS LA MESURE PERMISE PAR LA LOI, MILWAUKEE RENONCE À TOUTE GARANTIE IMPLICITE, Y COMPRIS, SANS S'Y LIMITER, TOUTE GARANTIE IMPLICITE DE QUALITÉ MARCHANDE OU D'ADAPTATION À UNE UTILISATION OU À UNE FIN PARTICULIÈRE. DANS LA MESURE OÙ UNE TELLE STIPULATION D'EXONÉRATION N'EST PAS PERMISE PAR LA LOI, LA DURÉE DE CES GARANTIES IMPLICITES EST LIMITÉE À LA PÉRIODE APPLICABLE DE LA GARANTIE EXPRESSE, TEL QUE DÉCRIT PRÉCÉDEMMENT. CERTAINS ÉTATS ET PROVINCES NE PERMETTANT PAS DE LIMITATION DE DURÉE DES GARANTIES IMPLICITES, LES RESTRICTIONS CI-DESSUS PEUVENT NE PAS ÊTRE APPLICABLES. LA PRÉSENTE CONFÈRE À L'UTILISATEUR DES DROITS LÉGAUX PARTICULIERS; IL BÉNÉFICIE ÉGALEMENT D'AUTRES DROITS QUI VARIENT D'UN ÉTAT À L'AUTRE.

Cette garantie s'applique aux produits vendus aux États-Unis et au Canada uniquement.

Veillez consulter la rubrique Centre SAV MILWAUKEE, dans la section Pièces & Service du site Web de MILWAUKEE, à l'adresse www.milwaukeetool.com, ou composer le **1-800-SAWDUST (1-800-729-3878)** afin de trouver le centre de réparations en usine MILWAUKEE le plus près.

GARANTIE LIMITÉE – MEXIQUE, AMÉRIQUE CENTRALE ET CARAÏBES

TECHTRONIC INDUSTRIES' garantit le produit pendant cinq ans à partir de la date d'achat d'origine. Le présent bon de garantie couvre tous les vices de matériau et de fabrication que peut afficher cet outil électrique. Pour assurer la validité de la présente garantie, veuillez présenter le bon de commande, estampillé du sceau du distributeur ou du magasin où le produit a été acheté, au centre de réparations agréé. Si le bon de commande n'a pas été estampillé, veuillez fournir la preuve d'achat d'origine au centre de réparations agréé. Pour un entretien, des pièces, des accessoires ou d'autres composants, composer sans frais le 1-800-832-1949 afin d'obtenir les coordonnées du centre de réparations agréé le plus près.

Procédure pour assurer la validité de la garantie

Présenter le produit au centre de réparations agréé, accompagné du bon de commande estampillé du sceau du distributeur ou du magasin où le produit a été acheté. Toute pièce défectueuse ou tout composant défectueux sera remplacé sans frais. Milwaukee assume tous les frais de transport liés à ce processus de garantie.

Exceptions

La garantie ne s'applique pas dans les situations suivantes :

- Si le produit a été utilisé pour une fin autre que celle indiquée dans le guide de l'utilisateur final ou le manuel d'instructions.
- Si les conditions d'utilisations ne sont pas habituelles.
- Si le produit a été modifié ou réparé par une personne non autorisée par TECHTRONIC INDUSTRIES.

Note : Si le cordon électrique est endommagé, il doit être remplacé par un centre de réparations agréé pour éviter les risques d'électrocution.

Modèle : _____

Date d'achat : _____

Sceau du distributeur ou du magasin : _____

CENTRE DE RÉPARATIONS ET DE SERVICE
Av Presidente Mazarik 29 Piso 7, 11570 Chapultepec Morales
Miguel Hidalgo, Distrito Federal, Mexico
Ph. 52 55 4160-3547

IMPORTÉ ET COMMERCIALISÉ PAR :
TECHTRONIC INDUSTRIES MEXICO, S.A. DE C.V.
Av Presidente Mazarik 29 Piso 7, 11570 Chapultepec Morales
Miguel Hidalgo, Distrito Federal, Mexico

INSTRUCCIONES IMPORTANTES DE SEGURIDAD

⚠️ ADVERTENCIA LEA TODAS LAS ADVERTENCIAS E INSTRUCCIONES DE SEGURIDAD. Si no se sigue todas las advertencias e instrucciones, se pueden provocar una descarga eléctrica, un incendio o lesiones graves. **Guarde todas las advertencias e instrucciones para consultarlas en el futuro.**

SEGURIDAD EN EL ÁREA DE TRABAJO

- **Mantenga limpia y bien iluminada el área de trabajo.** Las áreas desordenadas u oscuras contribuyen a que se produzcan accidentes.
- **No use el ventilador en exteriores.**
- **No utilice el ventilador en atmósferas explosivas, tales como en presencia de líquidos, gases o polvos inflamables.** Los ventiladores generan chispas que pueden encender el polvo o los vapores.
- **No permita que los niños se acerquen al ventilador mientras esté funcionando.**

SEGURIDAD ELÉCTRICA

- **No anule el propósito de seguridad del enchufe polarizado.** Un enchufe polarizado tiene dos patas, una más ancha que la otra. La pata ancha se incluye para su seguridad. Si el enchufe proporcionado no puede conectarse al tomacorriente, consulte a un electricista para reemplazar el tomacorriente obsoleto.
- **No use el ventilador cerca del agua.** Nunca exponga el ventilador a goteos o salpicaduras. Nunca sumerja el ventilador en líquido ni permita que un líquido fluya dentro del ventilador. Si se introduce agua en el ventilador, aumentará el riesgo de descarga eléctrica.
- **No utilice un cable dañado.** Reemplace los cables dañados de inmediato. Los cables dañados aumentan el riesgo de descarga eléctrica y pueden provocar un incendio.
- **Proteja el cable de corriente para evitar que alguien lo pise o quede aplastado** especialmente en los enchufes, tomacorrientes y el punto donde salen del ventilador. No cubra el cable ni lo pase por debajo de alfombras. No maltrate el cable. Nunca use el cable para cargar el ventilador ni para jalar el enchufe y sacarlo de un tomacorriente. Mantenga el cable alejado del calor, el aceite, los bordes afilados o las partes en movimiento.
- **Desconecte el ventilador durante tormentas eléctricas o cuando no se use por largos periodos.** Retire la fuente de poder del tomacorriente cuando no esté en uso.

SEGURIDAD PERSONAL

- **No estire el cuerpo demasiado.** Mantenga un buen apoyo y equilibrio del ventilador en todo momento. Un apoyo estable en una superficie sólida permite un mejor control del ventilador en situaciones inesperadas.
- **Vístase adecuadamente.** No utilice ropa o joyería holgada. Mantenga el cabello, la ropa y los guantes alejados de las partes móviles. La ropa holgada, las alhajas o el cabello largo pueden quedarse atrapados en las partes móviles.

USO Y CUIDADO DEL VENTILADOR

- **No se instale cerca de ninguna fuente de calor** tal como radiadores, registros de calefacción, estufas u otros aparatos (incluyendo amplificadores) que producen calor.
- **Solo opere el ventilador en un área con buena ventilación.** No obstruya las aberturas de ventilación.
- **No opere un ventilador sin rejilla o que tenga la rejilla dañada.**
- **Ponga el interruptor del ventilador en la posición de apagado y desconecte la batería o la fuente de poder antes de hacer cualquier ajuste, cambiar accesorios, limpiar o guardar el ventilador.** Tales medidas preventivas disminuyen el riesgo de que el ventilador se encienda accidentalmente.
- **Evite el arranque accidental.** Asegúrese de que el interruptor esté en posición de apagado antes de insertar la batería o la fuente de poder. Insertar la batería o la fuente de poder en el ventilador con el interruptor encendido propicia accidentes.
- **Utilice solo complementos/accesorios especificados por el fabricante.**

USO Y CUIDADO DE LAS HERRAMIENTAS CON BATERÍA

- **Este ventilador está diseñado para utilizar la fuente de poder MILWAUKEE de 18 voltios de CA/CC No. de catálogo 23-81-0701 o una batería M18 MILWAUKEE de iones de litio.** No intente utilizarlo con otra fuente de poder o batería.
- **Utilice el ventilador únicamente con baterías específicamente diseñadas.** El uso de otras baterías puede crear un riesgo de incendio.
- **Recargue las baterías únicamente con el cargador especificado para las mismas.** Un cargador que pudiera ser adecuado para un tipo de batería puede crear un riesgo de incendio cuando se usa con otra batería.
- **Cuando no se use la batería manténgala alejada de otros objetos de metal como clips para papel, monedas, llaves, clavos, tornillos u otros objetos de metal pequeños que puedan realizar una conexión entre los bornes.** Realizar un cortacircuito en los terminales de la batería puede provocar quemaduras o un incendio.
- **Bajo condiciones abusivas, puede salir líquido expulsado de la batería; evitar el contacto. Si se produce un contacto accidental, lavar con agua.** Si el líquido entra en contacto con los ojos buscar ayuda médica adicional. El líquido que sale despedido de la batería puede causar irritaciones o quemaduras.

MANTENIMIENTO

• **Para dar servicio al aparato, envíelo al personal de servicio calificado.** Se requiere servicio cuando el ventilador se ha dañado de alguna manera, como cuando el cable de corriente o el enchufe está dañado, se derramó líquido o cayeron objetos en el ventilador, se ha expuesto el ventilador a lluvia o humedad o no funciona con normalidad. El servicio o mantenimiento realizado por personal no calificado podría ocasionar un riesgo de lesiones.

REGLAS ESPECIFICAS DE SEGURIDAD

• **Mantenga las etiquetas y las placas identificativas.** Tienen información importante. Si no se pueden leer o si faltan, póngase en contacto con un centro de servicio **MILWAUKEE** para obtener un repuesto gratuito.

• **ADVERTENCIA** Ciertos polvos creados al lijar, serrar, esmerilar, perforar y realizar otras actividades de construcción contienen productos químicos que se sabe que causan cáncer, defectos congénitos u otros daños al aparato reproductor. Algunos ejemplos de dichos productos químicos son:

- plomo de pintura con base de plomo
- sílice cristalino de los ladrillos y cemento y de otros productos de mampostería, y
- arsénico y cromo de madera tratada químicamente.

Su riesgo de exposición varía dependiendo de la frecuencia con la que realice este tipo de trabajo. Para reducir su exposición a estos productos químicos: trabaje en un área bien ventilada, y trabaje con equipo de seguridad aprobado, como máscaras antipolvo especialmente diseñadas para filtrar partículas microscópicas.

FC Federal Communications Commission

• **ADVERTENCIA:** Los cambios o modificaciones hechos a esta unidad sin la autorización expresa del responsable del cumplimiento de la norma podrían anular la autoridad del usuario para manejar el equipo.

Se ha verificado y determinado que este equipo cumple con los límites correspondientes a los dispositivos digitales de Clase B, de acuerdo con la Parte 15 de las Normas de la FCC. Estos límites se han diseñado para garantizar una protección razonable contra interferencias perjudiciales en instalaciones residenciales. Este equipo genera, utiliza y puede radiar energía de radiofrecuencia y, si no se instala y utiliza en conformidad con las instrucciones, puede generar interferencia perjudicial para la radiocomunicación.

No obstante, no se garantiza que no se produzca interferencia en una instalación concreta. Si este equipo, en efecto, genera interferencia perjudicial para la recepción de radio o televisión, que se puede determinar apagando y encendiendo el equipo, se insta al usuario a intentar corregir la interferencia tomando una o varias de las siguientes medidas:

- Reorientar o reubicar la antena receptora.
- Aumentar la distancia que separa al equipo del receptor.
- Conectar el equipo a un tomacorriente de otro circuito distinto a aquel que tiene conectado el receptor.
- Solicitar ayuda al distribuidor o a un técnico de radio y televisión experto.

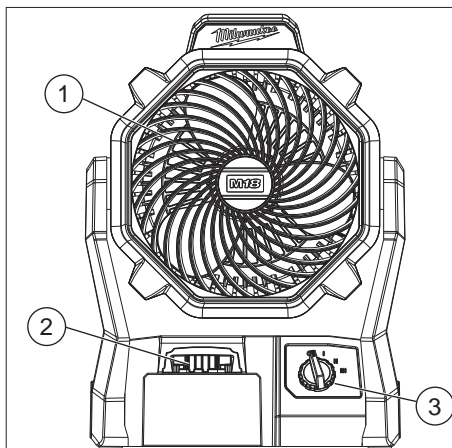
SIMBOLOGÍA

	Para reducir el riesgo de lesiones, el usuario debe leer y entender el manual del operador.
	Advertencia
	Doble aislamiento
	Volts
	Corriente continua
	Underwriters Laboratories, Inc., Estados Unidos y Canadá
	Para uso en interiores exclusivamente
	Eficiencia energética
	Energía verificada
	Potencia de salida limitada
	Federal Communications Commission

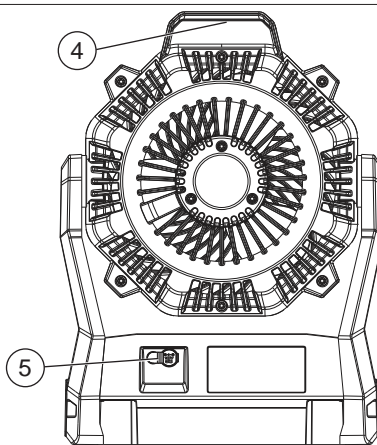
ESPECIFICACIONES

Cat. No.	Volts de cd	Amps de cd
0886-20	18	2,5

DESCRIPCION FUNCIONAL



1. Rejilla delantera
2. Compartimiento de baterías
3. Interruptor de control



4. Asa superior
5. Conector de fuente de poder CA/CC

EXTENSIONES ELECTRICAS

Las herramientas con doble aislamiento y clavijas de dos patas pueden utilizarse indistintamente con extensiones de dos a tres cables. El calibre de la extensión depende de la distancia que exista entre la toma de la corriente y el sitio donde se utilice la herramienta. El uso de extensiones inadecuadas puede causar serias caídas en el voltaje, resultando en pérdida de potencia y posible daño a la herramienta. La tabla que aquí se ilustra sirve de guía para la adecuada selección de la extensión.

Mientras menor sea el número del calibre del cable, mayor será la capacidad del mismo. Por ejemplo, un cable calibre 14 puede transportar una corriente mayor que un cable calibre 16. Cuando use mas de una extensión para lograr el largo deseado, asegúrese que cada una tenga al menos, el mínimo tamaño de cable requerido. Si está usando un cable de extensión para mas de una herramienta, sume los amperes de las varias placas y use la suma para determinar el tamaño mínimo del cable de extensión.

Guías para el uso de cables de extensión


- Si está usando un cable de extensión en sitios al aire libre, asegúrese que está marcado con el sufijo "W-A" ("W" en Canadá) el cual indica que puede ser usado al aire libre.
- Asegúrese que su cable de extensión está correctamente cableado y en buenas condiciones eléctricas. Cambie siempre una extensión dañada o hágala reparar por una persona calificada antes de volver a usarla.
- Proteja su extensión eléctrica de objetos cortantes, calor excesivo o áreas mojadas.
- Desenchufe todas las extensiones eléctricas durante las tormentas eléctricas o cuando no piense usarlas por mucho tiempo.

Calibre mínimo recomendado para cables de extensiones eléctricas*

Amperios (En la placa)	Largo de cable de Extensión en (m)					
	7,6	12,2	22,8	30,4	45,7	60,9
0 - 5,0	16	16	16	14	12	12
5,1 - 8,0	16	16	14	12	10	--
8,1 - 12,0	14	14	12	10	--	--
12,1 - 15,0	12	12	10	10	--	--
15,1 - 20,0	10	10	10	--	--	--

* Basado en limitar la caída en el voltaje a 5 volts al 150% de los amperios.

ENSAMBLAJE

 **ADVERTENCIA** Recargue la batería sólo con el cargador especificado para ella. Para instrucciones específicas sobre cómo cargar, lea el manual del operador suministrado con su cargador y la batería.

Inserción/Extracción de la batería

Inserte la batería deslizando la en el compartimento al frente del ventilador. Inserte la batería hasta que entre en su lugar con un chasquido.

Para **extraer** la batería, presione los botones de liberación y jale la batería para sacarla de la herramienta.


Protección de la batería


Para proteger la vida útil de la batería, la radio se apaga cuando la carga de la batería es demasiado baja. Si esto sucede, retire la batería y cárguela según las instrucciones del cargador.

Uso de la fuente de poder de CA/CC

Utilice únicamente la fuente de poder *MILWAUKEE* de 18 voltios CA/CC, No. de catálogo 23-81-0701. Inserte la fuente de poder en el conector de CC de 18 voltios en la parte posterior del ventilador. Conecte la fuente de poder a un tomacorriente adecuado de pared.

OPERACION

 **ADVERTENCIA** Siempre quite la batería antes de cambiar o retirar los accesorios. Utilice únicamente accesorios específicamente recomendados para este ventilador. Puede ser peligroso utilizar otros.

 **ADVERTENCIA** Para reducir el riesgo de un incendio o una descarga eléctrica, no exponga este ventilador al agua, lluvia o humedad.

Encendido/apagado

Para **encender** el ventilador, gire el interruptor de control de **O** a **I**. Para **apagar** el ventilador, devuelva el interruptor de control a **O**.

Para ajustar la velocidad del ventilador, gire el interruptor de control entre las posiciones **I**, **II** y **III**.

I - Baja


II - Media

III - Alta

Cómo ajustar el ángulo del ventilador


Para ajustar el ángulo del ventilador, sujete el ventilador del asa superior e inclínelo hacia adelante o hacia atrás. El ventilador puede inclinarse hacia adelante hasta un rango de 30°, con puntos intermedios cada 15°. El ventilador puede inclinarse hacia atrás hasta un rango de 90°, con puntos intermedios cada 15°.

MANTENIMIENTO

 **ADVERTENCIA** Para reducir el riesgo de lesiones, siempre desconecte el cargador y la herramienta y quite la batería del cargador y la herramienta antes de realizar cualquier mantenimiento. Nunca desarme la herramienta, la batería o el cargador. Comuníquese con un centro de servicio *MILWAUKEE* para **TODAS** las reparaciones.

Mantenimiento de la herramienta

Adopte un programa regular de mantenimiento y mantenga sus baterías y cargador en buenas condiciones. Si la herramienta no arranca u opera a toda su potencia con una batería completamente cargada, limpie, con una goma o borrador, los contactos de la batería y de la herramienta. Si aun así la herramienta no trabaja correctamente, regrésela, con el cargador y la batería, a un centro de servicio *MILWAUKEE* para que sea reparada.

 **ADVERTENCIA** Para reducir el riesgo de lesiones personales o daños materiales, nunca sumerja su ventilador, batería ni cargador en líquido, ni permita que un líquido fluya hacia su interior.

Limpieza

Desconecte la batería y la fuente de poder del ventilador antes de limpiarlo. Limpie el polvo y la basura del cargador y las rejillas de la herramienta. Mantenga los mangos y empuñaduras limpios, secos y libres de aceite o grasa. Use solo jabón neutro y un trapo húmedo para limpiar la herramienta, batería y el cargador, ya que algunos substancias y solventes limpiadores son dañinos a los plásticos y partes aislantes. Algunos de estos incluyen: gasolina, turpentina, thinner, lacas, thinner para pinturas, solventes para limpieza con cloro, amoníaco y detergentes caseros que tengan amoníaco. Nunca use solventes inflamables o combustibles cerca de una herramienta.

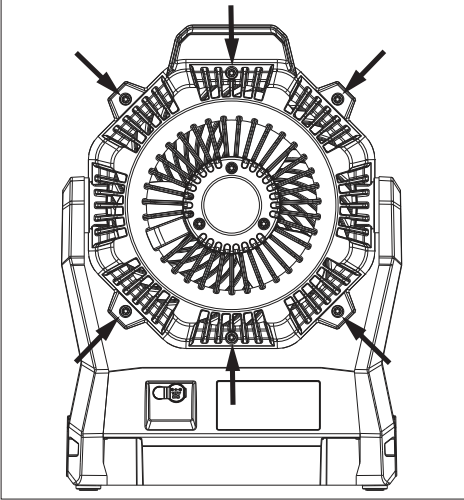
ACCESORIOS

⚠ ADVERTENCIA Para reducir el riesgo de lesiones, siempre extraiga la batería antes de cambiar o retirar accesorios. Utilice únicamente accesorios específicamente recomendados para esta herramienta. El uso de accesorios no recomendados podría resultar peligroso.

Para una lista completa de accesorios, refiérase a su catálogo *MILWAUKEE* Electric Tool o visite nuestro sitio en Internet: www.milwaukeetool.com. Para obtener un catálogo, contacte su distribuidor local o uno de los centros de servicio.

Limpeza de la rejilla frontal

⚠ Siempre desconecte la batería y la fuente de poder del ventilador antes de limpiarlo. Limpie la rejilla del ventilador periódicamente con una extensión de aspiradora. Para acumulaciones abundantes, quite la rejilla frontal retirando los seis tornillos localizados en la parte posterior del ventilador a lo largo de sus bordes externos. Sacuda o limpie la rejilla con un jabón suave. No coloque la rejilla en una lavavajillas. El calor excesivo puede distorsionar el plástico. **⚠ Siempre reinstale la rejilla frontal antes de usar.**



Limpeza de las aspas

⚠ Siempre desconecte la batería y la fuente de poder del ventilador antes de limpiarlo. Quite la rejilla frontal. Limpie las aspas con un trapo húmedo. No quite las aspas. Si el ventilador se usa en un ambiente grasoso, como una cocina, puede ser necesario utilizar jabón suave o un limpiador doméstico común. No utilice solventes. No lo coloque en una lavavajillas. El calor excesivo puede distorsionar el plástico. **⚠ Siempre reinstale la rejilla frontal antes de usar.**

Reparaciones

Si su herramienta, batería o cargador están dañados, envíela al centro de servicio más cercano de los listados en la cubierta posterior de este manual del operario.

GARANTÍA LIMITADA - E.U.A. Y CANADÁ

Se garantiza al comprador original que ninguna de las herramientas eléctricas **MILWAUKEE** (incluido el producto inalámbrico, la herramienta y las baterías; consulte las declaraciones distintas y por separado en GARANTÍA LIMITADA DEL PAQUETE DE BATERÍAS INALÁMBRICAS y de las luces de trabajo y del cargador de baterías*) presentan defectos en material ni en mano de obra. En un plazo de cinco (5) años* a partir de la fecha de compra y sujeto a ciertas excepciones, **MILWAUKEE** reparará o reemplazará cualquier parte de una herramienta eléctrica que, luego de ser examinada, **MILWAUKEE** compruebe que presenta defectos en material o mano de obra, a menos que se indique lo contrario. Se requiere la devolución de la herramienta eléctrica a un centro de mantenimiento de la fábrica **MILWAUKEE** o a un centro de reparaciones autorizado por **MILWAUKEE**, con gastos de envío prepagados y asegurados. La devolución del producto debe estar acompañada por un comprobante de compra. Esta garantía no se aplica a los daños que **MILWAUKEE** establece que fueron ocasionados por reparaciones o intentos de reparación por parte de personal no autorizado por **MILWAUKEE**, uso indebido, alteraciones, abuso, desgaste y deterioro normal, falta de mantenimiento o accidentes.

*El período de garantía de las raudales para obras, del puerto de alimentación M12™, Fuente de poder M18™, Ventilador para obra y de las carretillas de trabajo industrial Trade Titan™ es de un (1) año a partir de la fecha de compra. El período de garantía de la lámpara de trabajo con diodo luminiscente y del foco mejorado con diodo luminiscente es una garantía VITALICIA limitada para el comprador original únicamente. Si durante el uso normal el foco de diodo luminiscente no funciona, la lámpara de trabajo o el foco mejorado se reemplazará sin carga.

*Esta garantía no cubre las clavadoras aéreas, las engrapadoras, el rociador de pintura inalámbrico, el paquete de baterías inalámbrico, los generadores eléctricos portátiles que funcionan con gasolina, herramientas manuales, elevadores (eléctricos, con palanca y con cadenas manuales), camisas de calefacción M12™, productos reacondicionados y productos de prueba y medición. Se encuentran disponibles garantías distintas para estos productos.

No se necesita registro de garantía para obtener la garantía correspondiente de un producto eléctrico **MILWAUKEE**. La fecha de fabricación del producto se utilizará para determinar el período de garantía si no se presenta un comprobante de compra en el momento en que se solicita el servicio de garantía.

LA ACEPTACIÓN DE LOS DERECHOS A REPARACIÓN Y REEMPLAZO EXCLUSIVAMENTE DESCRITOS EN EL PRESENTE DOCUMENTO CONSTITUYE UNA CONDICIÓN DEL CONTRATO POR LA COMPRA DE CADA PRODUCTO **MILWAUKEE**. SI NO ACEPTA ESTA CONDICIÓN, NO DEBE COMPRAR EL PRODUCTO. **MILWAUKEE** NO SERÁ EN NINGÚN CASO RESPONSABLE DE DAÑOS INCIDENTALES, ESPECIALES, CONSECUENTES O PUNITIVOS, NI DE COSTOS, HONORARIOS DE ABOGADOS, GASTOS, PERDIDAS O DEMORAS SUPUESTAMENTE CAUSADOS COMO CONSECUENCIA DE CUALQUIER DAÑO, FALLA O DEFECTO EN CUALQUIER PRODUCTO, INCLUIDOS, A MODO DE EJEMPLO, RECLAMOS POR PÉRDIDA DE GANANCIAS. ALGUNOS ESTADOS NO PERMITEN LA EXCLUSIÓN O LA LIMITACIÓN DE DAÑOS INCIDENTALES O CONSECUENTES. POR LO TANTO, LAS LIMITACIONES Y EXCLUSIONES ANTERIORES PUEDEN NO APLICARSE PARA USTED. ESTA GARANTÍA ES EXCLUSIVA Y SUSTITUYE A TODAS LAS OTRAS GARANTÍAS EXPRESAS, ESCRITAS U ORALES, SEGÚN LO PERMITA LA LEY. **MILWAUKEE** SE EXIME DE TODA GARANTÍA IMPLÍCITA, INCLUIDOS, A MODO DE EJEMPLO, TODA GARANTÍA IMPLÍCITA DE COMERCIABILIDAD O IDONEIDAD PARA UN USO O PROPÓSITO EN PARTICULAR; EN LA MEDIDA EN QUE DICHA RENUNCIA NO ESTÉ PERMITIDA POR LA LEY, DICHAS GARANTÍAS IMPLÍCITAS ESTÁN LIMITADAS A LA DURACIÓN DE LA GARANTÍA EXPRESA APLICABLE SEGÚN SE DESCRIBE ANTERIORMENTE. ALGUNOS ESTADOS NO PERMITEN LIMITACIONES EN LA DURACIÓN DE UNA GARANTÍA IMPLÍCITA. POR LO TANTO, LA LIMITACIÓN ANTERIOR PUEDE NO APLICARSE PARA USTED. ESTA GARANTÍA LE OTORGA DERECHOS LEGALES ESPECÍFICOS Y TAMBIÉN PUEDE TENER OTROS DERECHOS QUE VARIAN DE ESTADO EN ESTADO.

Esta garantía se aplica a los productos vendidos en los EE. UU. y Canadá.

Consulte 'Service Center Search' (Búsqueda de centro de servicio) en la sección Parts & Services (Piezas y servicios) del sitio web **MILWAUKEE**, www.milwaukeeool.com o llame al **1.800.SAWDUST (1.800.729.3878)** para encontrar su Centro de Servicio de la fábrica de **MILWAUKEE** más cercano.

PÓLIZA DE GARANTÍA - VALIDA SOLO PARA MÉXICO, AMÉRICA CENTRAL Y EL CARIBE

TECHTRONIC INDUSTRIES., garantiza por 5 años este producto a partir de la fecha original de compra.

Esta garantía cubre cualquier defecto que presenten las piezas, componentes y la mano de obra contenidas en este producto Para América Central y el Caribe se debe confirmar en el Centro de Servicio Autorizado el plazo de la garantía.

Para hacer efectiva la Garantía deberá presentar al Centro de Servicio Autorizado la Póliza de Garantía sellada por el establecimiento en donde adquirió el producto. Si no la tienen, podrá presentar el comprobante de compra original. Usted puede llamar sin costo al teléfono 01 800 832 1949 o por correo electrónico a la dirección "servicio@ttigroupna.com", para ubicar el Centro de Servicio Autorizado más cercano a su domicilio, en el cual además podrá adquirir partes, componentes, consumibles y accesorios, que usted necesite.

Procedimiento para hacer válida la garantía

Acuda al Centro de Servicio con el producto y la póliza de garantía sellada por el establecimiento donde realizó la compra. Ahí se reemplazará cualquier pieza o componente defectuoso sin cargo alguno para el usuario final. La empresa se hace responsable de los gastos de transportación razonablemente erogados que se deriven del cumplimiento de la presente garantía.

Excepciones

La garantía perderá validez en los siguientes casos:

- Cuando el producto se hubiese utilizado en condiciones distintas a las normales.
 - Cuando el producto no hubiese sido operado de acuerdo con el instructivo de uso que le acompaña.
 - Cuando el producto hubiese sido alterado o reparado por personas no autorizadas por TECHTRONIC INDUSTRIES.
- Nota: Si el cordón de alimentación es dañado, este debe ser reemplazado por el fabricante o por un Centro de Servicio Autorizado para evitar riesgo.

Modelo: _____

Fecha de Compra: _____

Sello del Distribuidor: _____

CENTRO DE SERVICIO Y ATENCIÓN A CLIENTES
Av Presidente Mazarik 29 Piso 7, 11570 Chapultepec Morales
Miguel Hidalgo, Distrito Federal, Mexico
Tel. 52 55 4160-3547

IMPORTADO Y COMERCIALIZADO POR:
TECHTRONIC INDUSTRIES MEXICO, .S.A. DE C.V.
Av Presidente Mazarik 29 Piso 7, 11570 Chapultepec Morales
Miguel Hidalgo, Distrito Federal, Mexico

UNITED STATES MILWAUKEE Service

MILWAUKEE prides itself in producing a premium quality product that is NOTHING BUT HEAVY DUTY®. Your satisfaction with our products is very important to us! If you encounter any problems with the operation of this tool, or you would like to locate the factory Service/Sales Support Branch or authorized service station nearest you, please call...

Additionally, we have a nationwide network of authorized Distributors ready to assist you with your tool and accessory needs. Check your "Yellow Pages" phone directory under "Tools-Electric" for the names & addresses of those nearest you or see the 'Where To Buy' section of our website.

1-800-SAWDUST

(1.800.729.3878)

Monday-Friday
7:00 AM - 6:30 PM

Central Time
or visit our website at

www.milwaukeetool.com

For service information, use the 'Service Center Search' icon found in the 'Parts & Service' section.

Contact our Corporate After Sales Service Technical Support about ...

- Technical Questions
- Service/Repair Questions
- Warranty

call: 1-800-SAWDUST

fax: 1.800.638.9582

email: metproductsupport@milwaukeetool.com

Register your tool online at www.milwaukeetool.com and...

- receive important notifications regarding your purchase
- ensure that your tool is protected under the warranty
- become a HEAVY DUTY club member

CANADA - Service MILWAUKEE

MILWAUKEE prides itself in producing a premium quality product that is NOTHING BUT HEAVY DUTY®. Your satisfaction with our products is very important to us!

If you encounter any problems with the operation of this tool, or you would like to locate the factory Service/Sales Support Branch or authorized service station nearest you, please call...

1.800.268.4015

Monday – Friday 7:00 – 4:30 CST

fax: 866.285.9049

Milwaukee Electric Tool (Canada) Ltd

140 Fernstaff Court, Unit 4 18129 111 Avenue NW
Vaughan, ON L4K 3L8 Edmonton, AB T5S 2P2

Additionally, we have a nationwide network of authorized Distributors ready to assist you with your tool and accessory needs. Call 1.800.268.4015 to find the names and addresses of the closest retailers or consult "Where to buy" on our Web site www.milwaukeetool.com

MILWAUKEE est fier de proposer un produit de première qualité NOTHING BUT HEAVY DUTY®. Votre satisfaction est ce qui compte le plus!

En cas de problèmes d'utilisation de l'outil ou pour localiser le centre de service/ventes ou le centre d'entretien le plus proche, appelez le...

1.800.268.4015

Lundi – Vendredi 7:00 – 4:30 CST

fax: 866.285.9049

Milwaukee Electric Tool (Canada) Ltd

140 Fernstaff Court, Unit 4 18129 111 Avenue NW
Vaughan, ON L4K 3L8 Edmonton, AB T5S 2P2

Notre réseau national de distributeurs agréés se tient à votre disposition pour fournir l'aide technique, l'outillage et les accessoires nécessaires. Composez le 1.800.268.4015 pour obtenir les noms et adresses des revendeurs les plus proches ou bien consultez la section «Où acheter» sur notre site web à l'adresse www.milwaukeetool.com

MEXICO - Soporte de Servicio MILWAUKEE

CENTRO DE ATENCION A CLIENTES

Av. Presidente Masarik 29 Piso 7
CP. 11570. Col. Chapultepec Morales
Del. Miguel Hidalgo, Distrito Federal, México
01-800-8321949

Lunes a Viernes (9am a 6pm)

O contáctanos en www.milwaukeetool.com.mx

Para información de Centros de Servicio busca el icono "Servicio al cliente"- "Contáctanos"

Contacta nuestro servicio técnico para....

- Preguntas Técnicas
- Asesoría, servicio y reparación
- Garantía

Adicionalmente, tenemos una red nacional de distribuidores autorizados listos para ayudarle con su herramienta y sus accesorios. Por favor, llame al 01 800 8321949 para obtener los nombres y direcciones de los más cercanos a usted, o consulte la sección "Dónde Comprar" en nuestro sitio web www.milwaukeetool.com.mx

MILWAUKEE ELECTRIC TOOL CORPORATION
13135 West Lisbon Road • Brookfield, Wisconsin, U.S.A. 53005