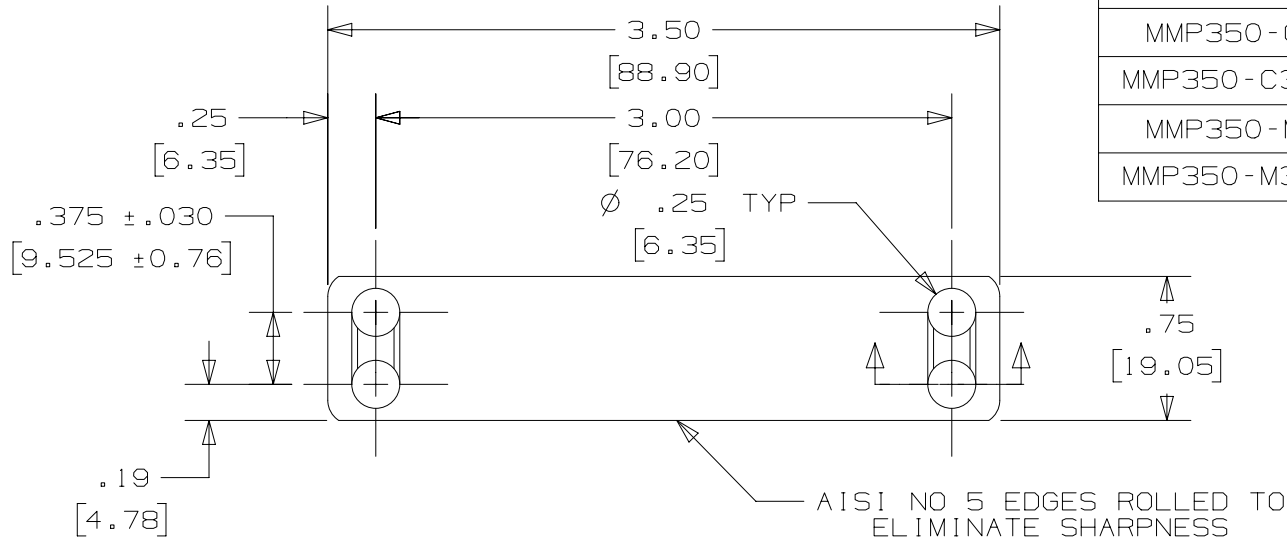


THIS COPY IS PROVIDED ON A RESTRICTED BASIS AND IS NOT TO BE USED IN ANY WAY DETRIMENTAL TO THE INTERESTS OF PANDUIT CORP.



SECTION A-A  
SCALE 8:1

PART NUMBER	MATERIAL	PACKAGE QTY
MMP350-C	304 SS	100
MMP350-C316	316 SS	100
MMP350-M	304 SS	1000
MMP350-M316	316 SS	1000

NOTES:

1. DIMENSIONS IN BRACKETS ( ) ARE METRIC.
2. CUSTOM PERMANENT MARKING AVAILABLE. CONSULT FACTORY.
3. USE WITH STANDARD SERIES CROSS SECTION MLT'S.
4. TOLERANCES (UNLESS OTHERWISE SPECIFIED)  
 .xxx = ±.020 (.51)  
 .xx = ±.03 (.8)

REV	DATE	BY	CHK	APR	DESCRIPTION	ECN
06A	12/12	JAMB	MIM	RGRO	UPDATE DRAWING TO NEW PANDUIT GLOBAL TITLE BLOCK WITH PANDUIT LOGO	SSECN01031
05A	12/12	MIM	RGRO	---	1. ADDED HOLE SPACING DIM 3.00 [ 76.20 ] 2. ADDED HOLE LOCATION DIM .25 [ 6.35 ] 3. ADD HOLE SPACING DIM .375 +/- .030 [ 9.525 +/- .76 ] 4. ADDED HOLE LOCATION DIM .19 [ 4.79 ]	-----
04A	08/08	JAMB	SKB	---	ORIG CAD FILE SPEC WAS S41044_04.REMOVED NOTE 5. ADDED PACKAGE QTY TO TABLE. ADDED PART NO'S FOR BULK QTY 1000 MARKER PLATES	-----
04	01/01	KMD	JD	---	ADDED NOTE 5. CAD FILE SPEC WAS N41044_PCD_03	07257
03	11/98	JKD	SM	---	ADDED NOTE 4. MAT'L WAS 302/304 FOR MMP350	05241

TITLE					
<b>STANDARD METAL MARKER PLATE</b>					
CUSTOMER DRAWING					
ITEM REVISION NAME			<b>PANDUIT</b>		
N41044BS/06					
DATASET FILE NAME			MATERIAL:  SEE NOTES		
N41044BS_DC/06A					
UNLESS OTHERWISE SPECIFIED, DIMENSIONAL TOLERANCES ARE: IN [ mm ]			DRAWING NUMBER: N41044BS_DC		
.x ± .1 [ 2.54 ]      .xxx ± .005 [ .127 ] .xx ± .01 [ .25 ]      ANGLES ± 5 °					
		THIRD ANGLE PROJECTION			
DRAWN BY	DATE	CHK	SCALE	SIZE	
SAM	02/04/91	LM	NTS	SHT 1 OF 1	