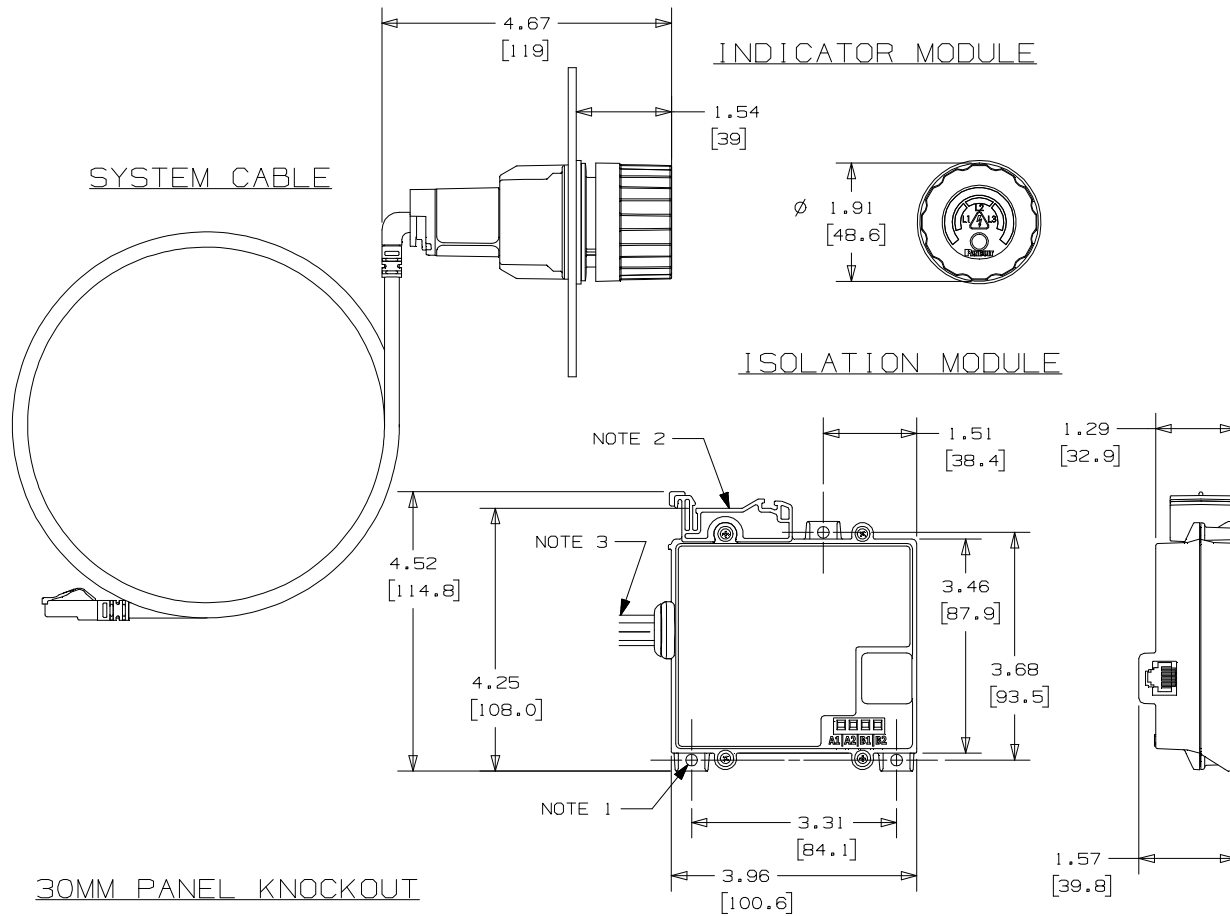


THIS COPY IS PROVIDED ON A RESTRICTED BASIS AND IS NOT TO BE USED IN ANY WAY DETRIMENTAL TO THE INTERESTS OF PANDUIT CORP.



NOTES, UNLESS OTHERWISE SPECIFIED

1. Mount for #8 Pan Head Screw. 3 Places.
2. DIN Rail Mounting Feature
3. Lead Wires. 10 Feet X 8. 14 AWG (2.08mm²)

READ PRODUCT INSTRUCTIONS BEFORE USING

PANDUIT PART NO.: VS-AVT-C02-L10 (2FT SYSTEM CABLE)
VS-AVT-C08-L10 (8FT SYSTEM CABLE)

GENERAL SPECIFICATIONS

Electrical System: For use in 1, 2, or 3-phase AC systems
Voltage Detection Range: Up to 600V AC (50/60Hz), 600V DC
Absence of Voltage Threshold: 3V
Overvoltage Category: III (600V)
Degree of Protection: NEMA 1, 12, 4, 4X/IP66*

Environmental

Operating Temperature: 0°C to +60°C (32°F to 140°F)
Storage Temperature: -45°C to +85°C (-49°F to +185°F)
Humidity: 5 to 95% non-condensing
Pollution Degree: 3

Battery

Voltage: Industrial 3.6V Lithium AA
Serviceability: User Replaceable.

Weight

VS-AVT-C02-L10: 1711.9gms / 3.77lbs
VS-AVT-C08-L10: 1791.7gms / 3.95lbs

*Degree of protection specified is related to the Indicator Module only

REV	DATE	BY	CHK	APR	DESCRIPTION	ECN	FILE	SCALE	SIZE	
1	5/4/17	MROB	MSAD	JW	DRAWING TYPE WAS CONTROL DRAWING	GAECN04135	VERISAFE ABSENCE OF VOLTAGE TESTER	NTS	B	
0	4/10/17	MROB	MSAD	JW	INITIAL RELEASE	GAECN04076	CUSTOMER DRAWING			
							ITEM REVISION NAME 14I216AS/04			
							DATASET FILE NAME 14I216AS_DC/04B			
							UNLESS OTHERWISE SPECIFIED, DIMENSIONAL TOLERANCES ARE: IN [mm] .X ± .1 [2.54] .XXX ± .005 [0.127] .XX ± .01 [0.25] ANGLES ± 5°	MATERIAL: N/A		
							THIRD ANGLE PROJECTION	DRAWING NUMBER: 14I216AS_DC		
							DRAWN BY MROB	DATE 4/3/17	CHK MSAD	SHT 1 OF 1

D101008P/17