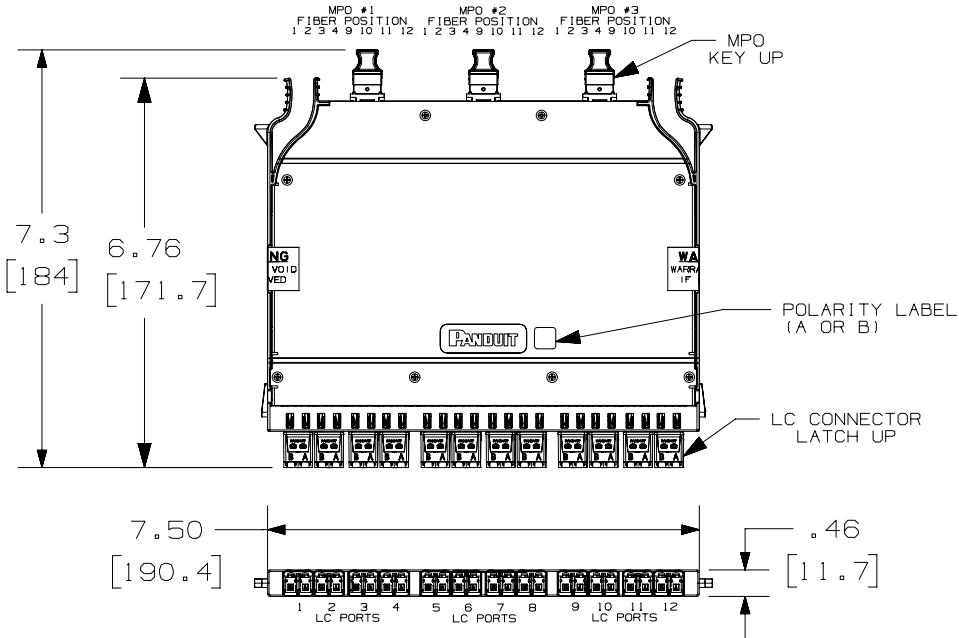
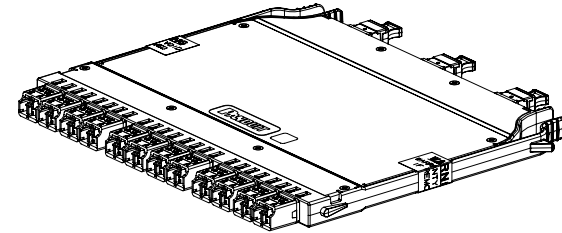


THIS COPY IS PROVIDED ON A RESTRICTED BASIS AND IS NOT TO BE USED IN ANY WAY DETRIMENTAL TO THE INTERESTS OF PANDUIT CORP.



NOTES:

- SEE CURRENT CATALOG FOR PART NUMBER SUFFIXES TO INDICATE COLOR AND/OR PACKAGE QUANTITIES.
- SEE CATALOG FOR COMPLETE LIST OF PARTS APPLICABLE FOR USE WITH THIS PRODUCT.
- PART NUMBERS: SEE SHEET 2 FOR ALL PART NUMBERS.
- CASSETTE WEIGHT: 6.5oz (183g)



FIBER POSITION FROM LC END TO MPO END																
METHOD A 24 FIBER CASSETTE (A)																
LC PORT NUMBER	MPO #1				MPO #2				MPO #3							
	1	2	3	4	5	6	7	8	9	10	11	12				
	B	A	B	A	B	A	B	A	B	A	B	A	B	A		
MPO FIBER POSITION	12	1	11	2	10	3	9	4	12	1	11	2	10	3	9	4
METHOD B 24 FIBER CASSETTE (B)																
LC PORT NUMBER	MPO #1				MPO #2				MPO #3							
	1	2	3	4	5	6	7	8	9	10	11	12				
	B	A	B	A	B	A	B	A	B	A	B	A	B	A		
MPO FIBER POSITION	4	9	3	10	2	11	1	12	4	9	3	10	2	11	1	12

REV	DATE	BY	CHK	APR	DESCRIPTION	ECN
00	09-23-16	SAT	TMSE	EJH	RELEASED TO PRODUCTION	12F187MA-DC

TITLE							HD FLEX 4 TO 1 CONVERSION CASSETTE, (3) 8 FIBER MPO TO (12) DUPLEX LC		
CUSTOMER DRAWING									
ITEM REVISION NAME			12F187MA/02				PANDUIT		
DATASET FILE NAME			12F187MA_DC/02A						
UNLESS OTHERWISE SPECIFIED, DIMENSIONAL TOLERANCES ARE: IN (mm)							MATERIAL:		
.x ± .1 [2.54]		.xxx ± .005 [0.127]							
.xx ± .01 [0.25]		ANGLES ± 5°							
DRAWN BY			DATE		CHK	SCALE	DRAWING NUMBER:		
SAT			09-08-16		TMSE	NONE	12F187MA-DC		
THIRD ANGLE PROJECTION							SHT 1 OF 2		
					SIZE	A			

2

1

THIS COPY IS PROVIDED ON A RESTRICTED BASIS AND IS NOT TO BE USED IN ANY WAY DETRIMENTAL TO THE INTERESTS OF PANDUIT CORP.

CASSETTE PART NUMBER	DESCRIPTION
FHC39N-24H-10A	OS2 HD FLEX 4 TO 1 CONVERSION CASSETTE, (3) 8-FIBER MPO TO (12) DUPLEX LC, METHOD A
FHC3X0-24H-10A	OM3 HD FLEX 4 TO 1 CONVERSION CASSETTE, (3) 8-FIBER MPO TO (12) DUPLEX LC, OPTIMIZED LOSS, METHOD A
FHC3X0-24H-10B	OM3 HD FLEX 4 TO 1 CONVERSION CASSETTE, (3) 8-FIBER MPO TO (12) DUPLEX LC, OPTIMIZED LOSS, METHOD B
FHC3Z0-24H-10A	OM4 HD FLEX 4 TO 1 CONVERSION CASSETTE, (3) 8-FIBER MPO TO (12) DUPLEX LC, OPTIMIZED LOSS, METHOD A
FHC3Z0-24H-10B	OM4 HD FLEX 4 TO 1 CONVERSION CASSETTE, (3) 8-FIBER MPO TO (12) DUPLEX LC, OPTIMIZED LOSS, METHOD B
FHC3ZA-24H-10A	OM4 HD FLEX 4 TO 1 CONVERSION CASSETTE, (3) 8-FIBER MPO TO (12) DUPLEX LC, ULTRA LOSS, METHOD A
FHC3ZA-24H-10B	OM4 HD FLEX 4 TO 1 CONVERSION CASSETTE, (3) 8-FIBER MPO TO (12) DUPLEX LC, ULTRA LOSS, METHOD B

									TITLE			
									HD FLEX 4 TO 1 CONVERSION CASSETTE, (3) 8 FIBER MPO TO (12) DUPLEX LC			
									CUSTOMER DRAWING			
								ITEM REVISION NAME				
								12F187MA/02				
								DATASET FILE NAME				
								12F187MA_DC/02A				
								UNLESS OTHERWISE SPECIFIED, DIMENSIONAL TOLERANCES ARE: IN (mm)				
								.x ± .1 (2.54) .xxx ± .005 (.127)				
								.xx ± .01 (.25) ANGLES ± 5 °				
00	09-23-16	SAT	TMSE	EJH	SEE SHEET 1 FOR REVISIONS							
						12F187MA-DC						
REV	DATE	BY	CHK	APR	DESCRIPTION	ECN	DRAWN BY	DATE	CHK	SCALE	DRAWING NUMBER:	SIZE
							SAT	09-08-16	TMSE	NONE	SHT 2 OF 2	A

