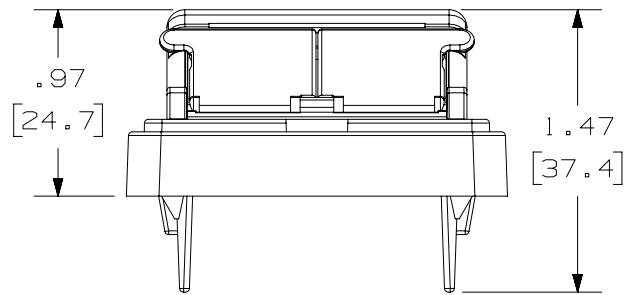
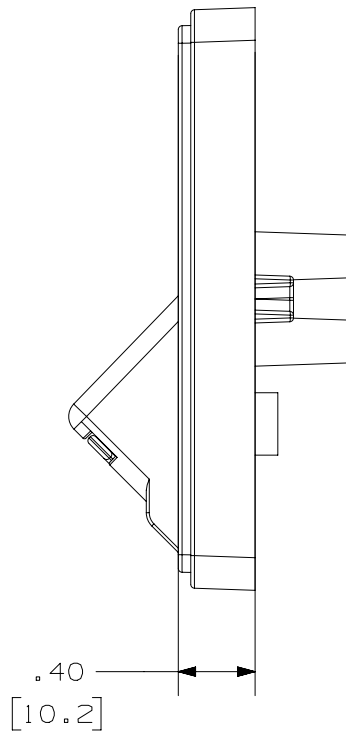
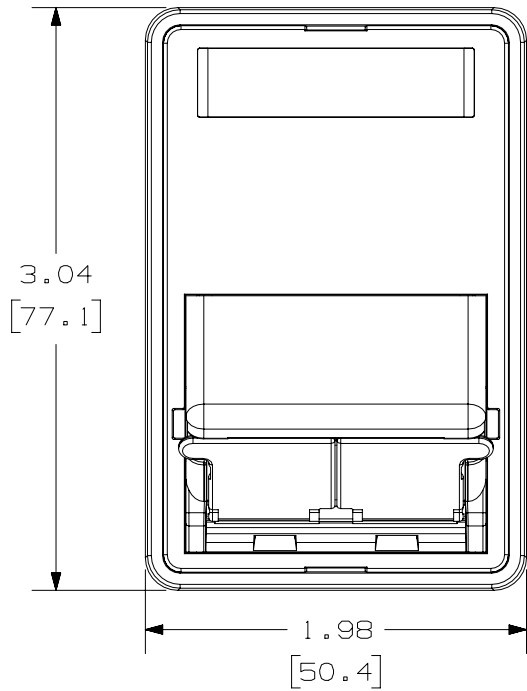


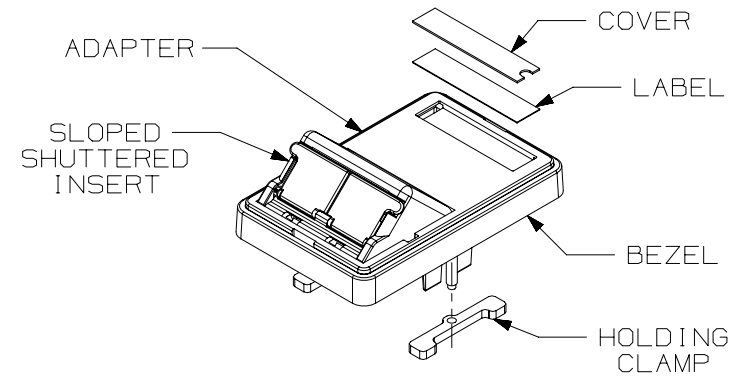
THIS COPY IS PROVIDED ON A RESTRICTED BASIS AND IS NOT TO BE USED IN ANY WAY DETRIMENTAL TO THE INTERESTS OF PANDUIT CORP.



PANDUIT P/N	WEIGHT
CFPDS2S**Y	.66 LB/10 PCS (299.4 g/10 PCS)

NOTES:

- SEE CURRENT CATALOG FOR ADDITIONAL PART NUMBER SUFFIXES TO INDICATE COLOR AND OR PACKAGE QUANTITY.
- SEE CATALOG FOR COMPLETE LIST OF PARTS APPLICABLE FOR USE WITH THIS PART.
- DIMENSIONS IN [ ] ARE IN METRIC.
- PART INCLUDES:
  - 1- SLOPED SHUTTERED INSERT (CHS2S\*\*)
  - 1- ADAPTER
  - 1- BEZEL
  - 2- MOUNTING SCREW
  - 2- HOLDING CLAMP
  - 1- LABEL
  - 1- LABEL COVER



PART NUMBER		CFPDS2S**Y	
TITLE			
MINI-COM 2 POSITION DENMARK SLOPED SHUTTERED INSERT FACEPLATE			
CUSTOMER DRAWING			
ITEM REVISION NAME		M02479FX/00	
DATASET FILE NAME		M02479FX_DC156/00B	
UNLESS OTHERWISE SPECIFIED, DIMENSIONAL TOLERANCES ARE: IN (mm)		MATERIAL:	
.x ± .xx ± .03 (.8)		INSERT- ABS ADAPTER- ABS BEZEL- ABS HOLDING CLAMP -CRS	
.xxx ± .010 (.3)		DRAWING NUMBER:	
ANGLES ±		02479-156	
THIRD ANGLE PROJECTION		SHT 1 OF 1	
DRAWN BY	DATE	CHK	SCALE
JSP	3-18-06	MJD	NONE
REV	DATE	BY	CHK
1	4/2/14	JSP	REFR
R	3-18-06	JSP	MJD
APR	DESCRIPTION		ECN
	A. REVISED DRAWING TITLE BLOCK.		02479-156
	RELEASED TO PRODUCTION		02479-156

D10100DA/14

2

1

2

1