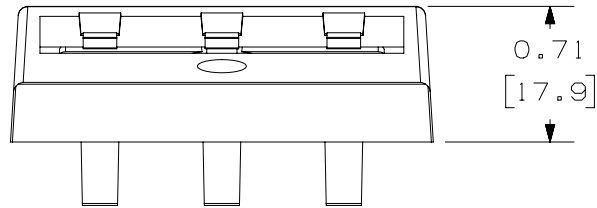
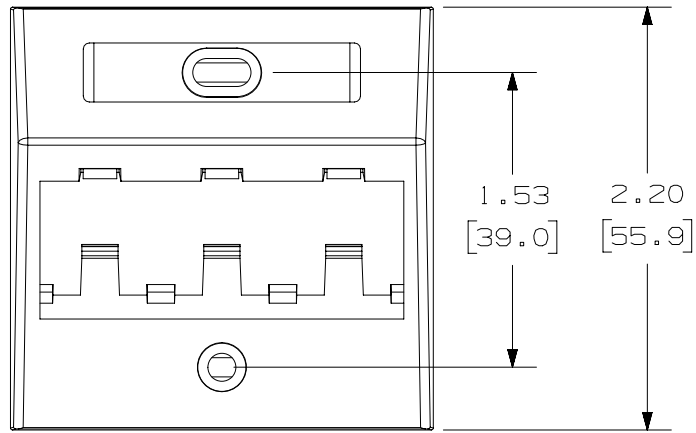


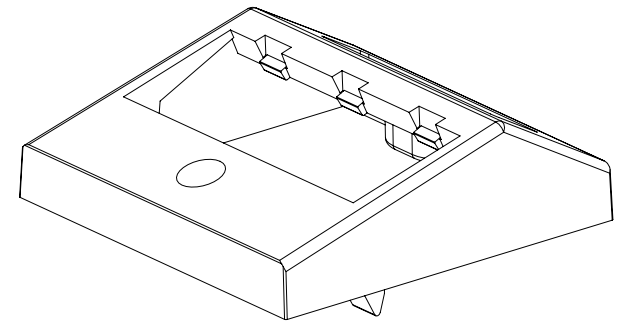
THIS COPY IS PROVIDED ON A RESTRICTED BASIS AND IS NOT TO BE USED IN ANY WAY DETRIMENTAL TO THE INTERESTS OF PANDUIT CORP.



PANDUIT P/N	WEIGHT
CES3**Y	.25 LB/10 PCS (112.5g/10 PCS)

NOTES:

1. SEE CURRENT CATALOG FOR ADDITIONAL PART NUMBER SUFFIXES TO INDICATE COLOR AND OR PACKAGE QUANTITY.
2. SEE CATALOG FOR COMPLETE LIST OF PARTS APPLICABLE FOR USE WITH THIS PART.
3. DIMENSIONS IN [] ARE IN METRIC.
4. PART INCLUDES:
2- MOUNTING SCREW
1- LABEL
1- LABEL COVER
1- FACEPLATE
1- METAL SUPPORT RING



PART NUMBER		CES3**Y	
TITLE			
MINI-COM 3 POSITION SLOPED ELKO FACEPLATE			
CUSTOMER DRAWING			
ITEM REVISION NAME		M00763BA/01	
DATASET FILE NAME		M00763BA_DC/01B	
UNLESS OTHERWISE SPECIFIED, DIMENSIONAL TOLERANCES ARE: IN [mm]		MATERIAL:	
.x ± .1 [2.54] .xxx ± .005 [.127]		ABS	
.xx ± .01 [.25] ANGLES ± 5 °		DRAWING NUMBER:	
THIRD ANGLE PROJECTION		00763-02	
DRAWN BY	DATE	CHK	SCALE
JSP	3/11/14	MECA	NONE
REV	DATE	BY	CHK
1	3/11/14	JSP	REFR
R	10-4-99	JSP	MECA
APR	DESCRIPTION		ECN
	A. REVISED DRAWING TITLE BLOCK.		00763-02
	RELEASED TO PRODUCTION		00763-02
SHT 1 OF 1		SIZE	
A		A	

REV	DATE	BY	CHK	APR	DESCRIPTION	ECN
1	3/11/14	JSP	REFR	MMR	A. REVISED DRAWING TITLE BLOCK.	00763-02
R	10-4-99	JSP	MECA	MECA	RELEASED TO PRODUCTION	00763-02

D10100DA/14

2

1

2

1