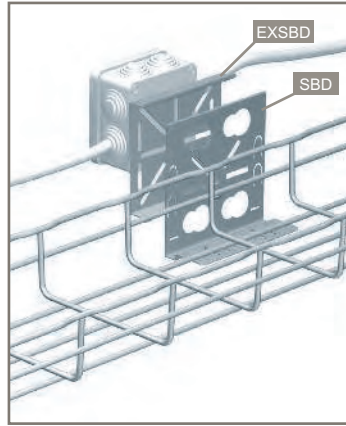
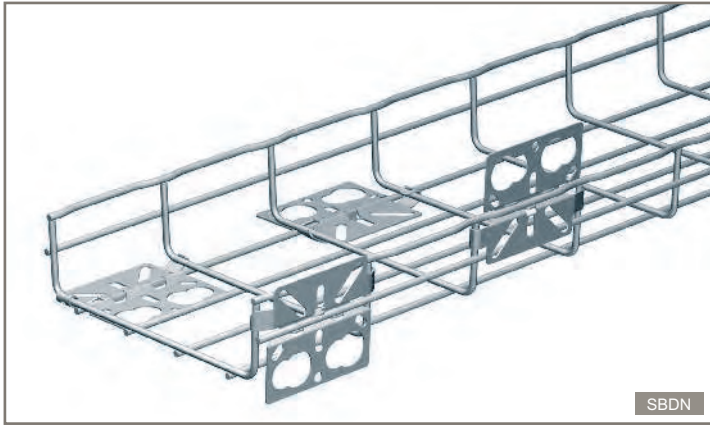


other mounting - take-off plates - SBDN – SBD – EXSBD



Dimensions and technical information **p. 86**

NOTE : please use Cat. No. when placing your order

Pack	Cat. Nos.	Take-off plates
1	<div style="display: flex; justify-content: space-around;"> <div style="text-align: center;"> <p>CM585410</p> </div> <div style="text-align: center;"> <p>CM585417</p> </div> </div>	<p>SBDN – universal conduit take-off plates ↳ 30 → 150 mm ↳ 50 → 600 mm For technical information see p. 86</p>

NOTE : please use Cat. No. when placing your order

Pack	Cat. Nos.	Take-off plates (continued)
1	<div style="display: flex; justify-content: space-around;"> <div style="text-align: center;"> <p>CM585110</p> </div> <div style="text-align: center;"> <p>CM585114</p> </div> </div>	<p>SBD – conduit take-off plate ↳ 30 → 150 mm ↳ 50 → 600 mm To be used with conduit take-off plate – EXSBD For technical information, see p. 86</p>
1	<div style="display: flex; justify-content: space-around;"> <div style="text-align: center;"> <p>CM585130</p> </div> <div style="text-align: center;"> <p>-</p> </div> </div>	<p>EXSBD – switch box take-off plate - side ↳ 30 → 150 mm ↳ 50 → 600 mm To be used with switch box take-off plate – SBD For technical information, see p. 86</p>

Key :	Pre-galvanised	Stainless steel 316L
	Continuous galvanisation before manufacture	
	For detailed information related to finishes, refer to p. 116-117	

All dimensions (mm) are nominal