



219585-2

Horizontal Copper Cable, category 6, 4 pair, UTP, LSZH, 23 AWG, 305 m reel-in-box, white

Body Features

Jacket Material	LSZH
Jacket Color	White
Conductor Material	Copper
Insulation Material	PE

Configuration Features

Number of Pairs	4
Number of Conductors	8

Dimensions

Overall Outside Diameter	5.700 mm 0.224 in
Conductor Diameter	.485 – .546 mm
Length	305.00 m 1000.66 ft
Wire Diameter	4.755 mm 0.187 in
Wire Size (CMA)	.205 mm ² 24 AWG

Electrical Specifications

ANSI/TIA Category	6
-------------------	---

General Specifications

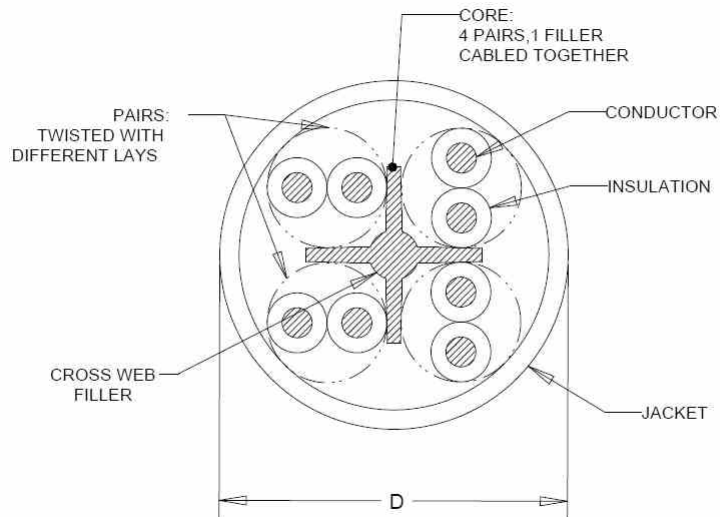
Cable Type	U/UTP (unshielded)
------------	--------------------

Industry Standards

Flammability Rating	LSZH
---------------------	------

219585-2

Outline Drawing



Packaging Features

Packaging Method	Reel-in-a-Box
Packaging Quantity	1000

Product Availability

Region	EMEA
--------	------

Product Type Features

Cable Style	Multi-Pair
Cable Type	Twisted Pair
Product Classification	Cable - ISO/IEC Category
Product Type	Cable
Shielded	No
System	AMP NETCONNECT
Wire/Cable Type	Twisted Pair

Usage Conditions

Operating Temperature Range -20 – 60 °C | -4 – 140 °F

Regulatory Compliance/Certifications

Agency
RoHS 2011/65/EU

Classification
Compliant