



S-3-CPUSE-H-Di6

Three-way Reactive Power Splitter, 555–2700 MHz

General Specifications

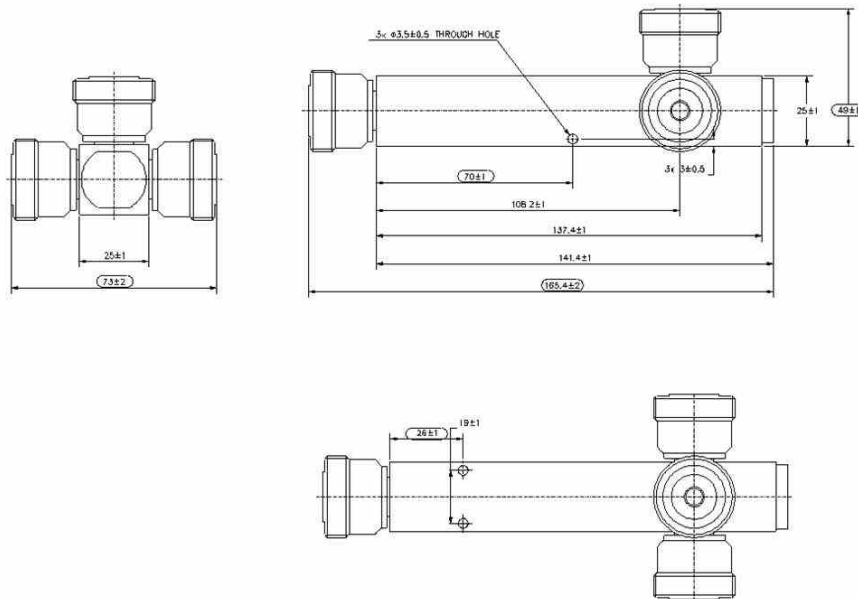
| | |
|-------------|-----------------|
| Brand | Andrew® |
| Device Type | Splitter |
| Interface | 7-16 DIN Female |
| Color | Silver |

Electrical Specifications

| | |
|----------------------------------|-----------------------|
| Operating Frequency Band | 555 – 2700 MHz |
| 3rd Order IMD | -160 dBc |
| 3rd Order IMD Test Method | Two +43 dBm carriers |
| Average Power, maximum | 300 W |
| Impedance | 50 ohm |
| Insertion Loss at Frequency Band | 0.2 dB @ 555–2700 MHz |
| Peak Power, maximum | 3 kW |
| Power Rating, Splitting | 300 W |
| Reflected Power, maximum | 300 W |
| Return Loss, minimum | 20.8 dB |
| Split Loss | 4.8 dB |
| VSWR | 1.2:1 |

S-3-CPUSE-H-Di6

Outline Drawing



Mechanical Specifications

| | |
|---------------------------|-------------------------|
| Coupling Nut Proof Torque | 25.00 N-m 18.44 ft lb |
| Inner Contact Plating | Silver |
| Outer Contact Plating | Trimetal |

Environmental Specifications

| | |
|--------------------------------|--------------------------------------|
| Application | Indoor/Outdoor |
| Ingress Protection Test Method | IEC 60529:2001, IP65 |
| Operating Temperature | -35 °C to +85 °C (-31 °F to +185 °F) |
| Relative Humidity | Up to 100% |

Dimensions

| | |
|------------|---------------------|
| Height | 49.00 mm 1.93 in |
| Length | 165.00 mm 6.50 in |
| Width | 73.00 mm 2.87 in |
| Net Weight | 459.00 g 1.01 lb |

Packed Dimensions

| | |
|-----------------|--------------------|
| Height | 65.0 mm 2.6 in |
| Length | 170.0 mm 6.7 in |
| Width | 110.0 mm 4.3 in |
| Shipping Weight | 546.00 g 1.20 lb |
| Volume | 1215.5 cc |

Regulatory Compliance/Certifications

Product Specifications



S-3-CPUSE-H-Di6

Agency

ISO 9001:2008

Classification

Designed, manufactured and/or distributed under this quality management system