



## S-2-CPUSE-H-Ni6

**Two-way Reactive Power Splitter, 555–2700 MHz**

### General Specifications

---

Brand	Andrew®
Device Type	Splitter
Interface	N Female
Color	Silver

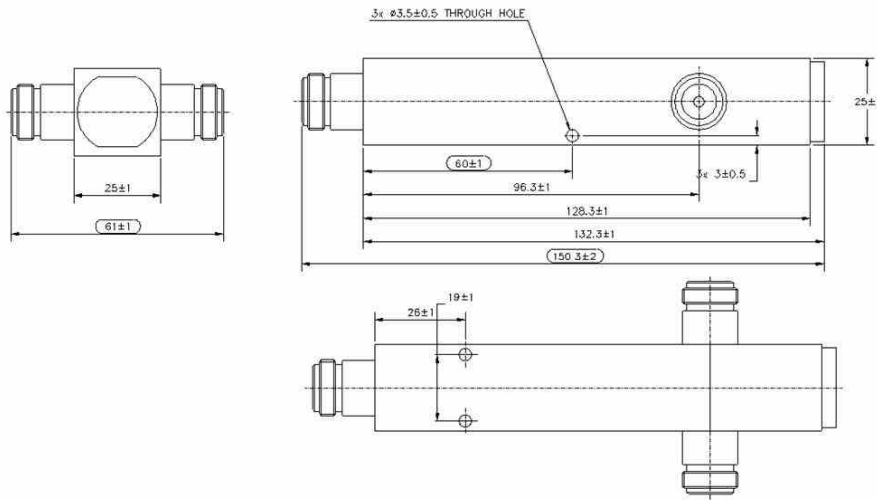
### Electrical Specifications

---

Operating Frequency Band	555 – 2700 MHz
3rd Order IMD	-160 dBc
3rd Order IMD Test Method	Two +43 dBm carriers
Average Power, maximum	300 W
Impedance	50 ohm
Insertion Loss at Frequency Band	0.2 dB @ 555–2700 MHz
Peak Power, maximum	3 kW
Power Rating, Splitting	300 W
Reflected Power, maximum	300 W
Return Loss, minimum	20.8 dB
Split Loss	3.0 dB
VSWR	1.2:1

S-2-CPUSE-H-Ni6

## Outline Drawing



## Mechanical Specifications

Coupling Nut Proof Torque	4.50 N-m   3.32 ft lb
Inner Contact Plating	Silver
Outer Contact Plating	Trimetal

## Environmental Specifications

Application	Indoor/Outdoor
Ingress Protection Test Method	IEC 60529:2001, IP65
Operating Temperature	-35 °C to +85 °C (-31 °F to +185 °F)
Relative Humidity	Up to 100%

## Dimensions

Height	25.00 mm   0.98 in
Length	150.00 mm   5.91 in
Width	61.00 mm   2.40 in
Net Weight	261.00 g   0.58 lb

## Packed Dimensions

Height	40.0 mm   1.6 in
Length	180.0 mm   7.1 in
Width	90.0 mm   3.5 in
Shipping Weight	318.00 g   0.70 lb
Volume	648.0 cc

## Regulatory Compliance/Certifications

Agency	Classification
ISO 9001:2008	Designed, manufactured and/or distributed under this quality management system