



CA-NMSM  
Type N Male to SMA Male Adapter

## General Specifications

---

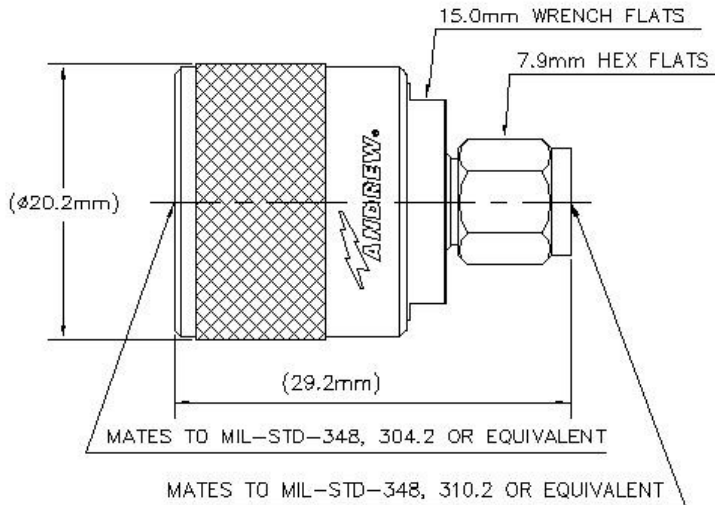
Product Type	Adapter
Interface	N Male
Interface 2	SMA Male
Body Style	Straight
Mounting Angle	Straight

## Electrical Specifications

---

Connector Impedance	50 ohm
Operating Frequency Band	0 – 6000 MHz
RF Operating Voltage, maximum (vrms)	500.00 V
dc Test Voltage	1000 V
Outer Contact Resistance, maximum	2.50 mOhm
Inner Contact Resistance, maximum	3.00 mOhm
Insulation Resistance, minimum	5000 MOhm
Average Power	100.0 W @ 900 MHz
Peak Power, maximum	5.00 kW

## Outline Drawing



## Mechanical Specifications

Coupling Nut Proof Torque	1.70 N-m   1.25 ft lb
Coupling Nut Proof Torque Method	IEC 61169-16:9.3.6
Coupling Nut Retention Force	180.00 N   40.47 lbf
Coupling Nut Retention Force Method	IEC 61169-15:9.3.11
Inner Contact Plating	Gold
Insertion Force	28.00 N   6.29 lbf
Insertion Force Method	IEC 61169-16:9.3.5
Interface Durability	500 cycles
Interface Durability Method	IEC 61169-15:9.5   IEC 61169-16:9.5
Outer Contact Plating	Trimetal
Pressurizable	No

## Dimensions

Diameter	20.24 mm   0.80 in
Length	29.16 mm   1.15 in
Weight	33.83 g   0.07 lb
Width	20.24 mm   0.80 in

## Environmental Specifications

Operating Temperature	-55 °C to +85 °C (-67 °F to +185 °F)
Storage Temperature	-65 °C to +125 °C (-85 °F to +257 °F)
Mechanical Shock Test Method	IEC 60068-2-27
Climatic Sequence Test Method	IEC 60068-1
Damp Heat Steady State Test Method	IEC 60068-2-3
Thermal Shock Test Method	IEC 60068-2-14
Vibration Test Method	IEC 60068-2-6

CA-NMSM

Corrosion Test Method

IEC 60068-2-11

## Standard Conditions

Attenuation, Ambient Temperature	20 °C   68 °F
Average Power, Ambient Temperature	40 °C   104 °F
Average Power, Inner Conductor Temperature	100 °C   212 °F

## Return Loss/VSWR

Frequency Band	VSWR	Return Loss (dB)
0-3000 MHz	1.04	34.37
3000-6000 MHz	1.06	30.44

## Regulatory Compliance/Certifications

### Agency

RoHS 2011/65/EU  
China RoHS SJ/T 11364-2006  
ISO 9001:2008

### Classification

Compliant by Exemption  
Above Maximum Concentration Value (MCV)  
Designed, manufactured and/or distributed under this quality management system

