



VZ-PVM-I2W3 ADVANTAGES

- 23" IP Public View Monitor
- **Onvif Compliant (Fully Compatible with VMS) - Profile S**
- "A" Commercial Grade LED
- Built in 2.1 Mega Pixel Camera
- Camera Motion Sensor
- Timed Source Switching
- Auto Power / Source Recovery
- 600 TV Line - Analog Video Resolution
- PIP / PBP / VOV
- BNC(NTSC/PAL), VGA, 2 HDMI, DVI, PC Stereo
- 3D Comb-filter, De-interlace
- Support dual voltage solution (110V AC and 24V DC)
- 3-Year Warranty



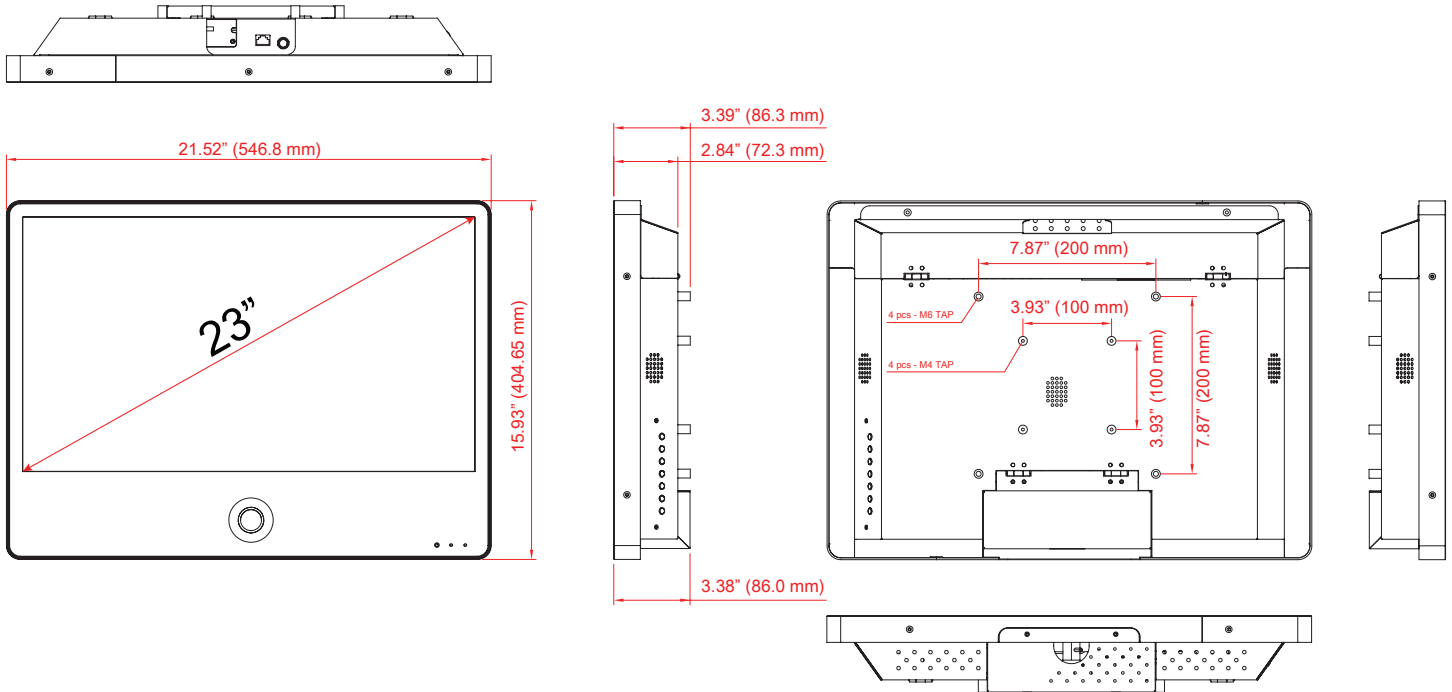
MODEL #		VZ-PVM-I2W3	
DISPLAY			
Screen Size	23"		
Max. Resolution	1920 x 1080 @60Hz		
Pixel Pitch	0.2655mm x 0.2655mm		
Brightness	250cd/m ² (Typical)		
Contrast Ratio	1000:1		
Aspect Ratio	16 : 9		
Viewing Angle (H/V)	160° / 160°		
Display Color	16.7 Million		
Response Time	< 5 ms		
Video System	NTSC / PAL		
Frequency (H) / Frequency (V)	31 ~ 80Khz / 56 ~ 75Hz		
INTERFACE			
AV (Composite) In / Out	1 / 1		
Camera Out	1		
DVI - In / HDMI In / VGA In (15Pin D-Sub)	1 / 2 / 1		
PC Stereo In / Out	1 / 1		
Ethernet 10 / 100	1		
SPECIAL FEATURES			
Multi Display Function	PIP / PBP / VOV		
Filter Type	3D Comb-filter / De-Interlace		
Analog Video Resolution (MAX)	600 TV Line		
Multi-lingual Language	English, Spanish, French, German, Italian, Portuguese, Dutch		
DIMENSIONS & WEIGHT			
Outline Dimension (W x H x D)	21.52" x 15.93" x 3.39"		
	546.8mm x 404.65mm x 86.3mm		
Net Weight / Gross Weight	21.67 lbs (9.83 kg) / 29.76 lbs (13.5 kg)		
MOUNT			
VESA	100mm x 100 mm / M4 x L8 Screws 200mm x 200mm / M6 x L8 Screws		
GENERAL			
Transmitter - IR Remote Control	YES		
Power	Electrical Ratings	AC 110~240V (50/60Hz)	24V DC
	Consumption	50W	50W
Warranty	Parts / Labor	3 Year / 3 Year	
	MTBF (Approx.)	50,000 Hours	
Operating Temperature	32 - 104°F / 0 - 40°C		
Regulation	cUL, FCC(A)		
Compatible Mounts	Wall	VZ-WM50, VZ-AM02	
	Ceiling	VZ-CMKIT-01, VZ-CMKIT-02, VZ-CM06, VZ-CM18	

CAMERA	
Camera Type	2.1 Mega Pixel IP Camera
Image Sensor	Panasonic 2.1 Mega Pixel C-MOS Sensor
Lens	DC Auto Iris 2.8~12mm Vari-focal Lens
Total / Effect Pixel	1920(H) x 1080p(V) 30fps
Video Compression	H.264, CBR, VBR support
Video Out	1ch CVBS (NTSC/PAL) / 1ch RJ-45 output
Motion Detection	Support
Ethernet Port	10 / 100 Base-T
Webclient Connection Protocol	TCP / IP
Support Protocol	IHTTP, TCP/UDP/IP, ARP, ICMP, RTP/RTSP, Multicast, Telnet, ftp, PPPoE, SMTP(e-mail), DHCP, NTP, uPNP, etc, ONVIF, PSIA support
Function	2D/3D NR, D-ZOOM, DPC, HLC/BLC, Defog D/N, DWDR, AGC, AWB, IR SMART
Dynamic IP	Dedicated dynamic IP service using www.ipctvdns.com
MEDIA CARD - Optional Feature	
External Storage	Support SD/SDHC CARD, USB 2.0 HOST
Output	VIDEO - HDMI(1080p) / AUDIO - L/R, HDMI
VIDEO Format	RM, RMVB, AVI, DVIX, MKV, MOV, HDMOV, MP4, M4V, PMP, AVC, FLV, VOB, MPG, DAT, MPEG, TS, TP, M2TS, WMV, H.264, H.263, WMV9, VC-1, MPEG1/2/4
VIDEO Resolution	1080P @60Hz
AUDIO Format	MPEG1/2/4, MP3, WMA, OGG, AAC, FLAC, APE, AC-3, DTS, ATRA, WAV, PCM
Image Format	JPEG, TIF, PNG, BMP
VIDEO Play Control	AUTO, REPEAT, ZOOM, RESUME, TIME

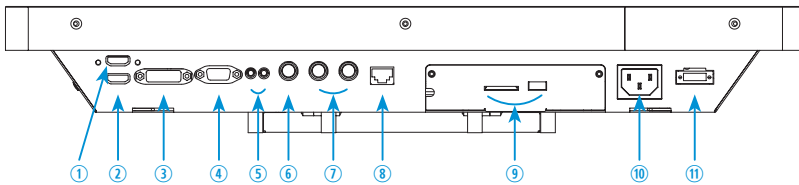
Contact ViewZ

- Address : 177 W. Orangethorpe Ave., Placentia, CA 92870
- Phone : (714) 996-1177, Fax : (714) 996-1138
- Sales : sales@viewzusa.com
- Specification subject to change without notice.

DIMENSIONS



INTERFACE



1. HDMI2 IN
2. HDMI1 IN
3. DVI IN
4. VGA IN
5. PC STEREO IN/AUDIO OUT
6. CAMERA OUT
7. AV(composite)2 IN/OUT
8. IP CAMERA ETHERNET
9. MEDIA CARD(USB, SD) - Optional
10. AC 110~240 V IN
11. DC 24V IN

Contact ViewZ

- Address : 177 W. Orangethorpe Ave., Placentia, CA 92870
- Phone : (714) 996-1177, Fax : (714) 996-1138
- Sales : sales@viewzusa.com
- Specification subject to change without notice.