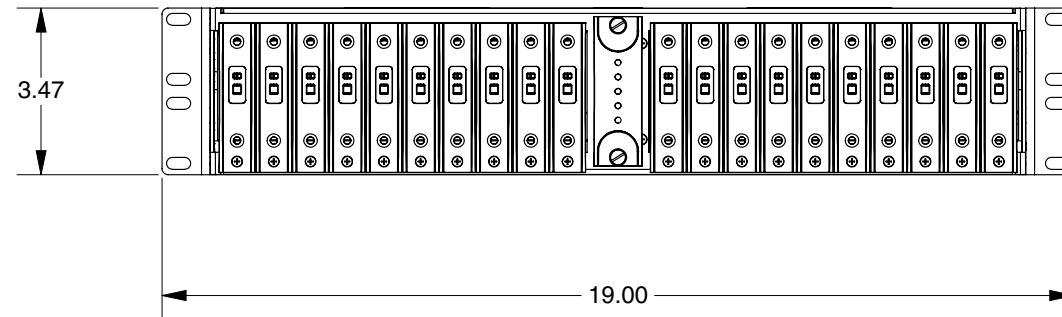
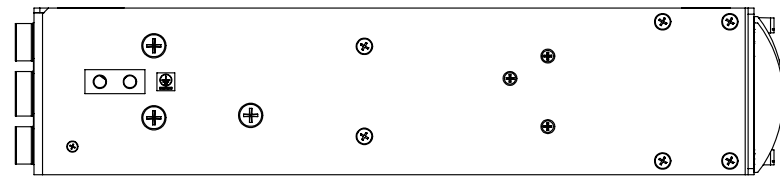
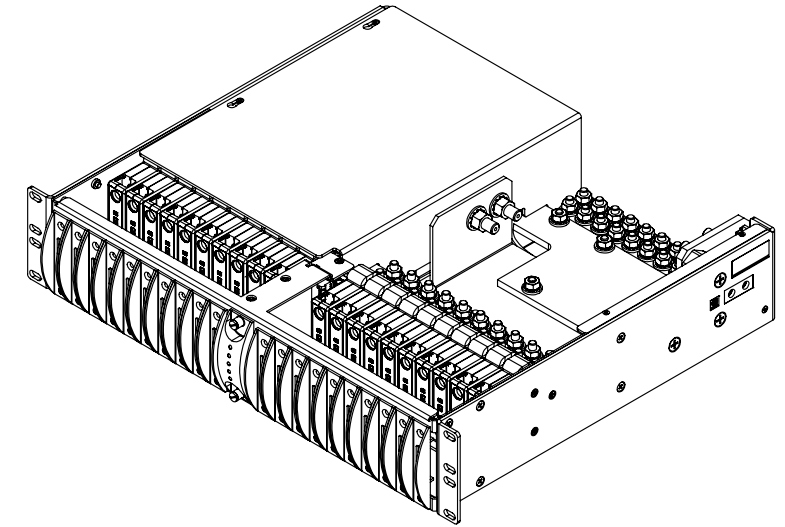
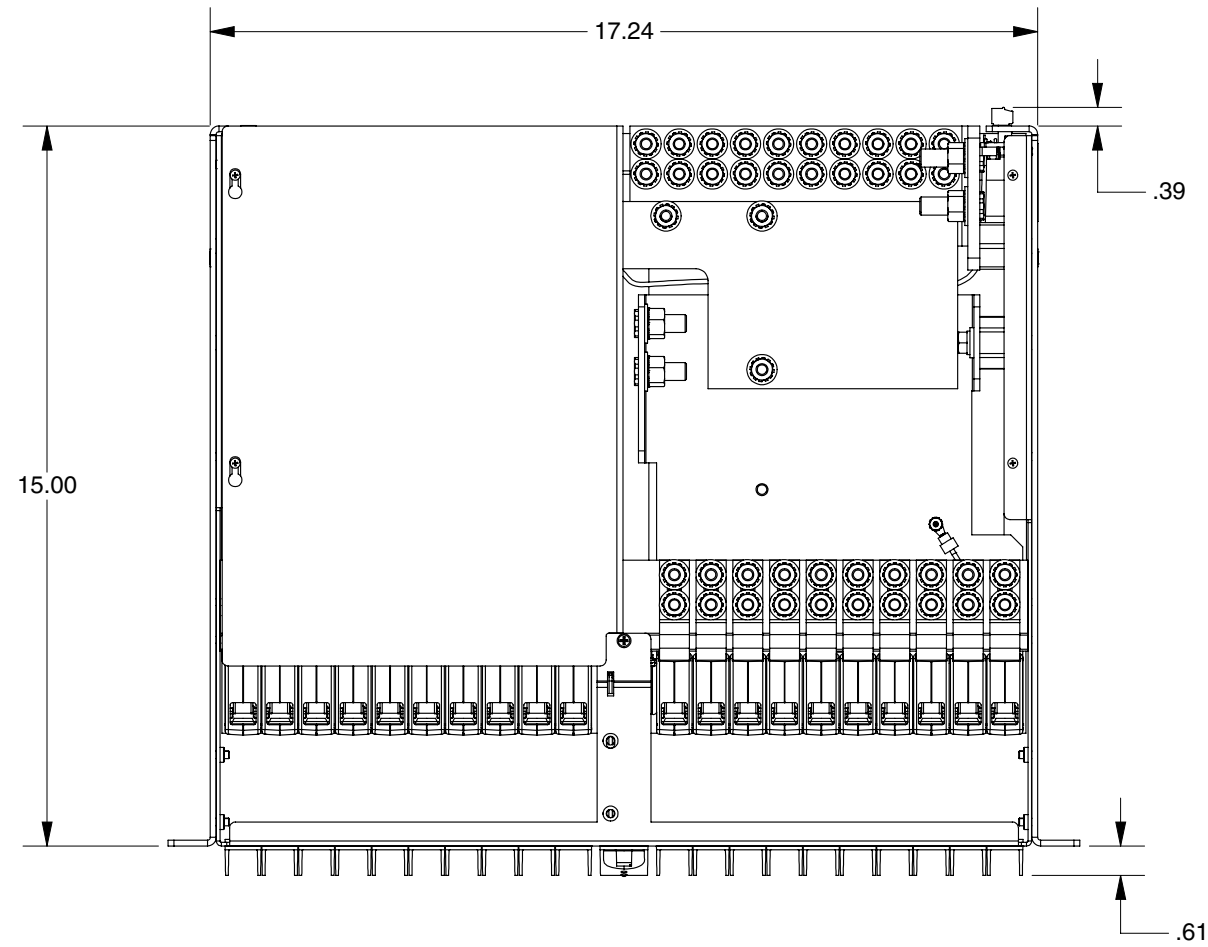


NOTES: (UNLESS OTHERWISE SPECIFIED)

1. DIMENSIONS ARE FOR REFERENCE ONLY.
2. RIGHT COVER NOT SHOWN FOR CLARITY.



drawing no <b>nrg600BT10-C</b>	customer drawing nrgSMART:600A,BULLET TERMINAL,DUAL-FEED 10/10, -48V, WITH nrgBT	rev A0	units inch	designed by R. PALMER	date 7/9/2014	tolerances (unless otherwise specified) .X ±.060 hole size: ±.005 .XX ±.020 angularity: ±1° .XXX ±.010	sheet 1 of 1	sheet size B	scale NTS	project P154	projection 		
				drawn by B. KIOSKI	date 8/12/2015								