

Clip™ World's smallest high-performance PIR detectors

The Clip family packs all the performance of a full-size PIR into a tiny, elegant housing. The virtually unnoticeable Clip detectors can protect rooms up to 9m x 13.5m (30 x 45ft). Clip-4N detectors provide adjustable solid-curtain perimeter protection up to 3.6 x 6m (12 x 20ft) for securing doors, windows and corridors as well as for activating CCTV and access control systems.

Benefits

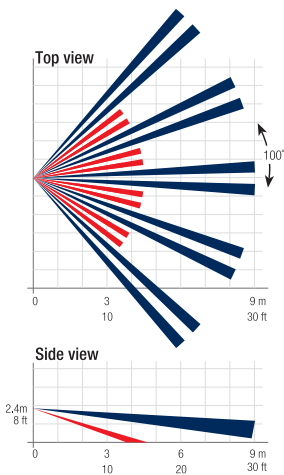
- Miniature unnoticeable design
- Wide angle room and curtain coverage models
- Industry-leading reliability and false alarm immunity
- Adjustable curtain coverage and sensitivity
- Complies with international standards

Features

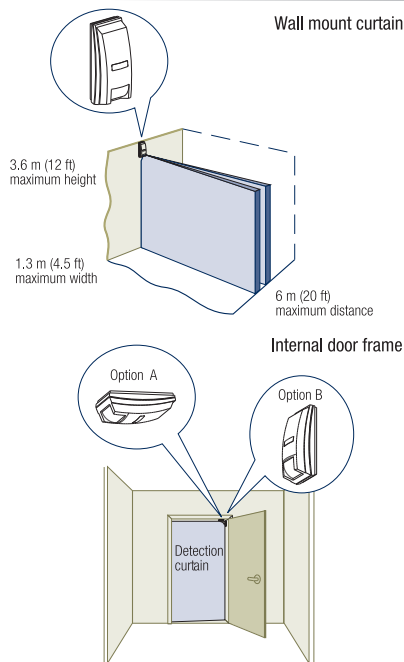
- Adjustable curtain: 2, 4, 6m (6, 12, 20 ft)
- Solid-state relay for silent operation (Clip-4N)
- Alternate polarity pulse counter (Clip)
- Visible light rejection filter

Model	Type	Catalog Number
Clip	Wide Angle PIR	0-1161-0
Clip-4N	Curtain PIR	0-1164-0
CB-1	Corner mount bracket	0-1786-0

Clip - Wide Angle



Clip-4N Curtain



CLIP

CLIP-4N

Applications:

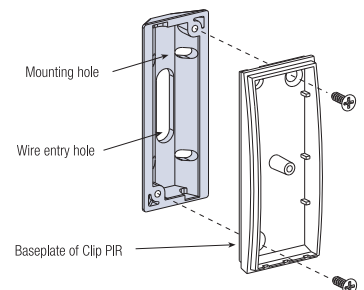
Residential and light commercial

Patented Technologies

- True Motion Recognition (TMR™) processing with digital temperature compensation for superior false alarm protection (Clip-4N)
- Protected under US patents: 5,693,943; 6,768,294 ; Des. 364,827; Des. 383,078 and other international patents and patent applications

Operating Voltage:	10 to 16 VDC
Standby Current Drain:	Clip 12.5mA at 12VDC Clip CH/4N 8mA at 12VDC
Alarm Output:	up to 100mA, ~30Ω ON resistance
RFI Protection:	Greater than 20V/m (up to 1000 MHz)
Operating Temperature:	-10°C to 50°C (14°F to 122°F)
Dimensions (H-W-D):	70 x 28 x 25mm (2 3/4 x 1 1/4 x 1")
Mounting Height:	Clip up to 2.4 m (8 ft) Clip-4N up to 3.6m (12 ft)

Mounting Accessories: CB-1 Corner mount bracket



For more information visit us at: www.visonic.com

Visonic is a registered trademark of Visonic Ltd. All information correct at time of print. Visonic reserves the right to change information or specifications without notice.

VISIONIC LTD. 2005 HWDetectors C-800046 (Rev 01)