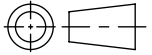
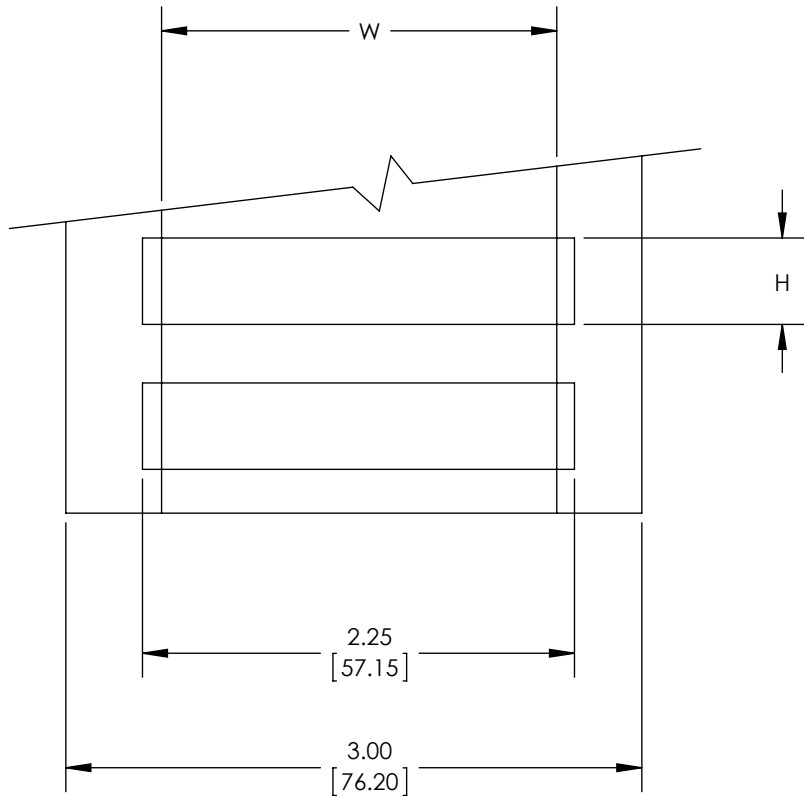


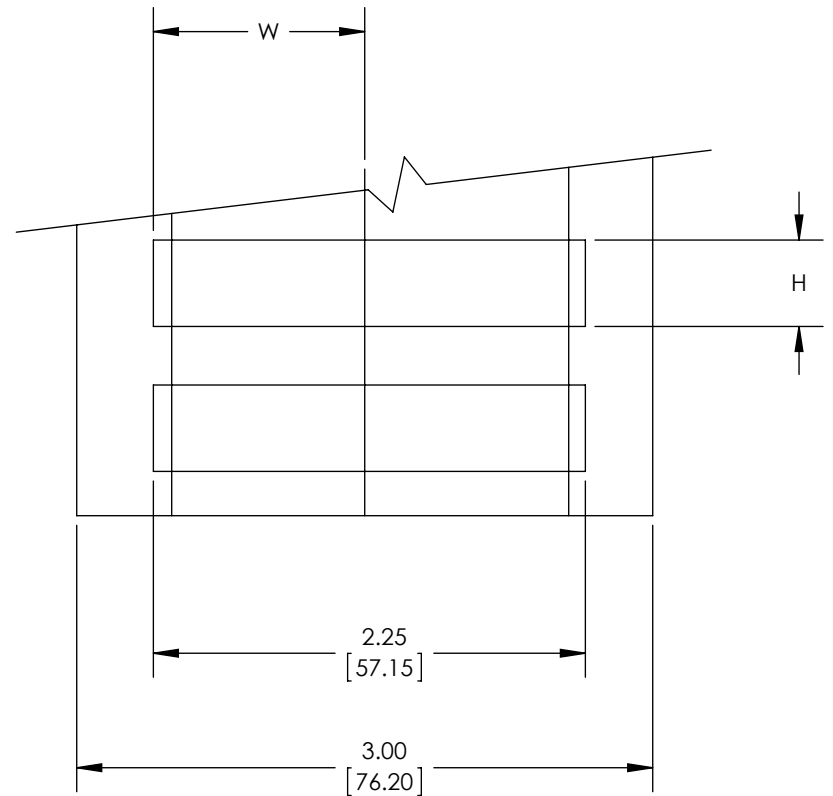
SW2015



Revision level			Revision Record	Changed	Date	Approved	Date
Drawing	State	Part					
00.0	Design Release		SEE ECN# 013740	GRW	3/2/2017	KAC	3/2/2017



**UNSLIT**



**SLIT**

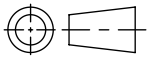
**NOTES:**

1. 3:1 SHRINK RATIO
2. PRODUCT THICKNESS 3 MIL
3. SHRINK TEMPERATURE +194°F (+90°C)
4. OPERATING TEMPERATURE +67°F TO 275°F (-55°C TO +135°C)
5. FLAME RETARDANT
6. FLAMMABILITY UL224 VW1
7. STANDARD COLORS WHITE, YELLOW & BLACK
8. UL RATING MEETS UL-224 AS +257 °F (+125 °C), 600V (VW-1)
9. CERTIFICATION AMS-DTL-23053/5 CLASS 1 AND 3, SAE-AS81531, MIL-STD-202G METHOD 215K

SEE PAGE 2 FOR TYPE NAME AND OTHER INFORMATION

Material <b>POLYOLEFIN</b>	Units: <b>inches</b>	The copyright of this drawing is reserved by HellermannTyton. It is issued on condition that it is not reproduced, copied, or disclosed to a third party, either wholly or in part, without the consent of HellermannTyton.	Drawn	GRW	3/2/2017	Article/Type-No	HST_	Scale	
	Dimension without tolerances details to: .xxxx = ±.0005 .xxx = ±.005 .xx = ±.01 .x = ±.03 None = ±.06 ∠ = ±0.5° Dimension Formatted in [mm]		Approved	KAC	3/2/2017	Title	<b>SHRINKTRAK HEAT SHRINKABLE MARKERS, SLIT/UNSLIT, SINGLE SIDED</b>	Project Number	PRP 17-0575
	 North America Email: corp@htamericas.com Web: www.hellermann.tyton.com		Drawing-No	PRODUCTION : Phase		Format	AH		
			<b>17-0575-001-CSU</b>	Sheet	1/2				

SW2015



Revision level			Revision Record	Changed	Date	Approved	Date
Drawing	State	Part					
00.0	Design Release		SEE ECN# 013740	GRW	3/2/2017	KAC	3/2/2017

Type	Cross Ref to Former Part No.	Color	Center Slit	Width (W)		Height (H)	Pkg. Qty.
				In. (mm.)	In. (mm.)	In. (mm.)	
0.125" (3.17mm) - Outside Diameter							
HST3-1BK	THS-610BM	Black	-	1.9" (48.26)	.235" (5.97)		250
HST3-1WH	THS-610W	White	-	1.9" (48.26)	1.90" (48)		250
HST3-1WH	THS-610W10C	White	-	1.9" (48.26)	1.90" (48)		1000
HST3-1WH	THS-610W25C	White	-	1.9" (48.26)	.235" (5.97)		2500
HST3-1WH-S	THS-610WP	White	Single	.95" (24.1)	.235" (5.97)		500
HST3-1WH-S	THS-610WP10C	White	Single	.95" (24.1)	.235" (5.97)		2000
HST3-1WH-S	THS-610WP25C	White	Single	.95" (24.1)	.235" (5.97)		5000
HST3-1WH-2S	THS-610W2P	White	Double	.63" (16.08)	.235" (5.97)		750
HST3-1WH-2S	THS-610W2P10C	White	Double	.63" (16.08)	.235" (5.97)		3000
HST3-1WH-3S	THS-610W3P	White	Triple	.475" (12.07)	.235" (5.97)		1000
HST3-1WH-3S	THS-610W3P10C	White	Triple	.475" (12.07)	.475" (12)		4000
HST3-1YE	THS-610Y10C	Yellow	-	1.9" (48.26)	.235" (5.97)		1000
HST3-1YE	THS-610Y	Yellow	-	1.9" (48.26)	.235" (5.97)		250
HST3-1YE-S	THS-610YP	Yellow	Single	.95" (24.1)	.235" (5.97)		500
HST3-1YE-S	THS-610YP10C	Yellow	Single	.95" (24.1)	.235" (5.97)		2000
HST3-1YE-2S	THS-610Y2P	Yellow	Double	.63" (16.08)	.235" (5.97)		750
HST3-1YE-2S	THS-610Y2P10C	Yellow	Double	.63" (16.08)	.235" (5.97)		3000
0.187" (4.74 mm) - Outside Diameter							
HST4.8-1.6BK	THS-615BM	Black	-	1.9" (48.26)	.312" (7.92)		250
HST4.8-1.6WH	THS-615W	White	-	1.9" (48.26)	.312" (7.92)		250
HST4.8-1.6WH	THS-615W10C	White	-	1.9" (48.26)	.312" (7.92)		1000
HST4.8-1.6WH	THS-615W30C	White	-	1.9" (48.26)	.312" (7.92)		3000
HST4.8-1.6WH	THS-615W50C	White	-	1.9" (48.26)	.312" (7.92)		5000
HST4.8-1.6WH-S	THS-615WP	White	Single	.95" (24.1)	.312" (7.92)		500
HST4.8-1.6WH-S	THS-615WP10C	White	Single	.95" (24.1)	.312" (7.92)		2000
HST4.8-1.6WH-2S	THS-615W2P	White	Double	.633" (16.08)	.312" (7.92)		750
HST4.8-1.6WH-2S	THS-615W2P10C	White	Double	.633" (16.08)	.312" (7.92)		3000
HST4.8-1.6WH-3S	THS-615W3P	White	Triple	.475" (12.07)	.312" (7.92)		1000
HST4.8-1.6WH-3S	THS-615W3P10C	White	Triple	.475" (12.07)	.312" (7.92)		4000
HST4.8-1.6YE	THS-615Y10C	Yellow	-	1.9" (48.26)	.312" (7.92)		1000
HST4.8-1.6YE	THS-615Y	Yellow	-	1.9" (48.26)	.312" (7.92)		250
HST4.8-1.6YE-S	THS-615YP	Yellow	Single	.95" (24.1)	.312" (7.92)		500
HST4.8-1.6YE-2S	THS-615Y2P	Yellow	Double	.633" (16.08)	.312" (7.92)		750
HST4.8-1.6YE-2S	THS-615Y2P10C	Yellow	Double	.633" (16.08)	.312" (7.92)		3000
HST4.8-1.6WH-S	THS-615Y2P10C	White	Double	.633" (16.08)	.312" (7.92)		3000
0.25" (6.35mm) - Outside Diameter							
HST6-2BK	THS-620BM	Black	-	1.9" (48.26)	.420" (10.67)		250
HST6-2WH	THS-620W	White	-	1.9" (48.26)	.420" (10.67)		250
HST6-2WH	THS-620W10C	White	-	1.9" (48.26)	.420" (10.67)		1000
HST6-2WH	THS-620W50C	White	-	1.9" (48.26)	.420" (10.67)		5000
HST6-2WHC	THS-620WP	White	Single	.95" (24.1)	.420" (10.67)		500
HST6-2YE-S	THS-620YP10C	Yellow	-	1.9" (48.26)	.420" (10.67)		2000
HST6-2YE-2S	THS-620Y2P	Yellow	-	1.9" (48.26)	.420" (10.67)		1000
HST6-2YE-S	THS-620Y3P	Yellow	Single	.95" (24.1)	.420" (10.67)		1000

Type	Cross Ref to Former Part No.	Color	Center Slit	Width (W)		Height (H)	Pkg. Qty.
				In. (mm.)	In. (mm.)	In. (mm.)	
0.25" (6.35mm) - Outside Diameter (continued)							
HST6-2WH-2S	THS-620W2P	White	Double	.633" (16.08)	.420" (10.67)		750
HST6-2YE-2S	THS-620Y2P	Yellow	Double	.633" (16.08)	.420" (10.67)		750
HST6-2WH-S	THS-620WP10C	White	Single	.95" (24.1)	.420" (10.67)		2000
HST6-2YE-S	THS-620YP10C	Yellow	Single	.95" (24.1)	.420" (10.67)		2000
HST6-2WH-3S	THS-620W3P10C	White	Triple	.475" (12.07)	.420" (10.67)		4000
0.375" (9.52 mm) - Outside Diameter							
HST9-3BK	THS-625BM	Black	-	1.9" (48.26)	.597" (15.16)		250
HST9-3WH	THS-625W	White	-	1.9" (48.26)	.597" (15.16)		250
HST9-3WH-S	THS-625WP	White	Single	.95" (24.1)	.597" (15.16)		500
HST9-3WH-3S	THS-625W3P	White	Triple	.475" (12.07)	.597" (15.16)		1000
HST9-3YE	THS-625Y	Yellow	-	1.9" (48.26)	.597" (15.16)		250
HST9-3YE-S	THS-625YP	Yellow	Single	.95" (24.1)	.597" (15.16)		500
HST9-3WH	THS-625W10C	White	-	1.9" (48.26)	.597" (15.16)		1000
0.50" (12.7 mm) - Outside Diameter							
HST12-4BK	THS-630BM	Black	-	1.9" (48.26)	.77" (19.55)		250
HST12-4WH	THS-630W	White	-	1.9" (48.26)	.77" (19.55)		250
HST12-4WH-S	THS-630WP	White	Single	.95" (24.1)	.77" (19.55)		500
HST12-4WH-3S	THS-630W3P	White	Triple	.475" (12.07)	.77" (19.55)		1000
HST12-4YE	THS-630Y	Yellow	-	1.9" (48.26)	.77" (19.55)		250
HST12-4YE-S	THS-630YP	Yellow	Single	.95" (24.1)	.77" (19.55)		500
HST12-4YE-3S	THS-630Y3P	Yellow	Triple	.475" (12.07)	.77" (19.55)		1000
HST12-4WH	THS-630W10C	White	-	1.9" (48.26)	.77" (19.55)		1000
HST12-4WH-S	THS-630WP10C	White	Single	.95" (24.1)	.77" (19.55)		2000
0.75" (19.05 mm) - Outside Diameter							
HST18-6BK	THS-635BM	Black	-	1.9" (48.26)	1.2" (30.48)		250
HST18-6WH	THS-635W	White	-	1.9" (48.26)	1.2" (30.48)		250
HST18-6WH-S	THS-635WP	White	Single	.95" (24.1)	1.2" (30.48)		500
HST18-6YE	THS-635Y	Yellow	-	1.9" (48.26)	1.2" (30.48)		250
HST18-6YE-S	THS-635YP	Yellow	Single	.95" (24.1)	1.2" (30.48)		500
HST18-6WH	THS-635W10C	White	-	1.9" (48.26)	1.2" (30.48)		1000
HST18-6WH-S	THS-635WP10C	White	Single	.95" (24.1)	1.2" (30.48)		2000
1.0" (25.4mm) - Outside Diameter							
HST24-8BK	THS-640BM	Black	-	1.9" (48.26)	1.69" (42.93)		250
HST24-8WH	THS-640W	White	-	1.9" (48.26)	1.69" (42.93)		250
HST24-8WH-S	THS-640WP	White	Single	.95" (24.1)	1.69" (42.93)		500
HST24-8YE	THS-640Y	Yellow	-	1.9" (48.26)	1.69" (42.93)		250
HST24-8YE-S	THS-640YP	Yellow	Single	.95" (24.1)	1.69" (42.93)		500
1.5" (38.1mm) - Outside Diameter							
HFST39-13WH-S	THS-645WP	White	Single	.95" (24.13)	2.26" (57.40)		300
HST39-13WH	THS-645W	White	-	1.9" (48.26)	2.26" (57.40)		150
HFST39-13YE	THS-645Y	Yellow	-	1.9" (48.26)	2.26" (57.40)		150
HFST39-13YE-S	THS-645YP	Yellow	Single	.95" (24.13)	2.26" (57.40)		300

Material  
POLYOLEFIN

Units: inches  
Dimension without tolerances details to:  
.xxxx = ±.0005  
.xxx = ±.005  
.xx = ±.01  
.x = ±.03  
None = ±.06  
∠ = ±0.5°  
Dimension Formatted in[mm]

The copyright of this drawing is reserved by HellermannTyton. It is issued on condition that it is not reproduced, copied, or disclosed to a third party, either wholly or in part, without the consent of HellermannTyton.

Drawn GRW 3/2/2017  
Approved KAC 3/2/2017  
**HellermannTyton**  
North America  
Email: corp@htamericas.com  
Web: www.hellermann.tyton.com

Article/Type-No HST\_  
Title SHRINKTRAK HEAT SHRINKABLE MARKERS, SLIT/UNSLIT, SINGLE SIDED  
Drawing-No PRODUCTION : Phase  
**17-0575-001-CSU**

Scale 1:1  
Project Number PRP 17-0575  
Format AH  
Sheet 2/2