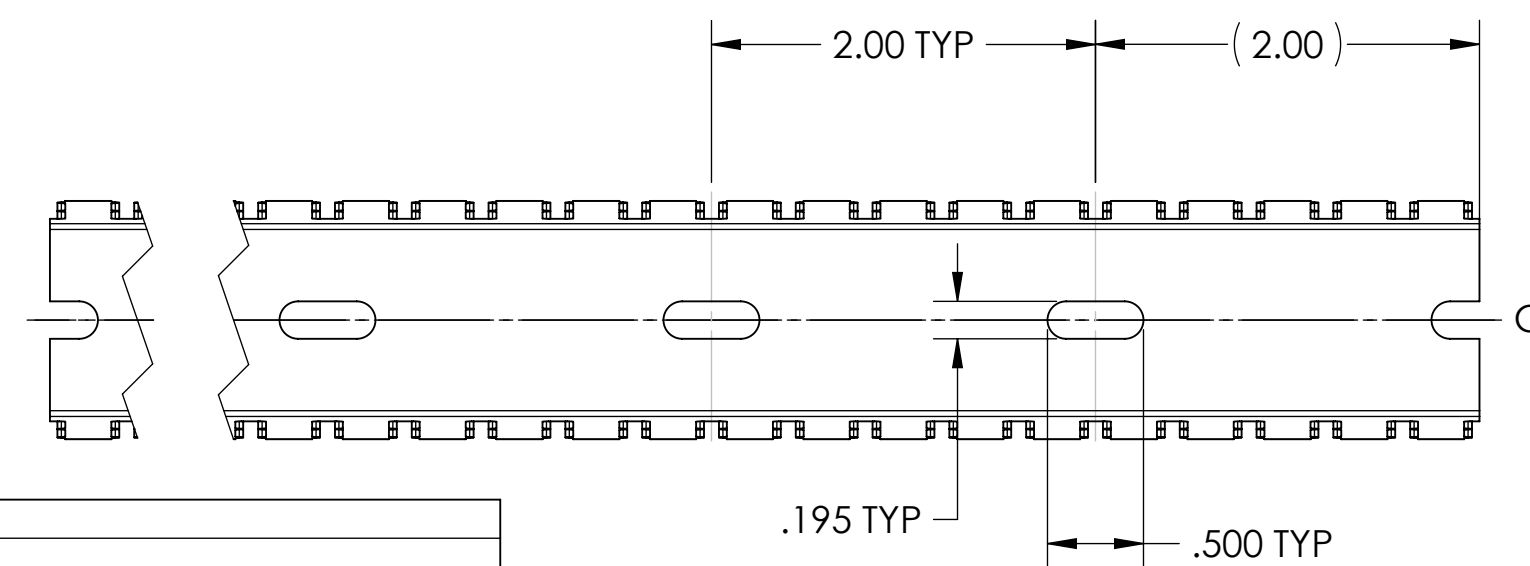
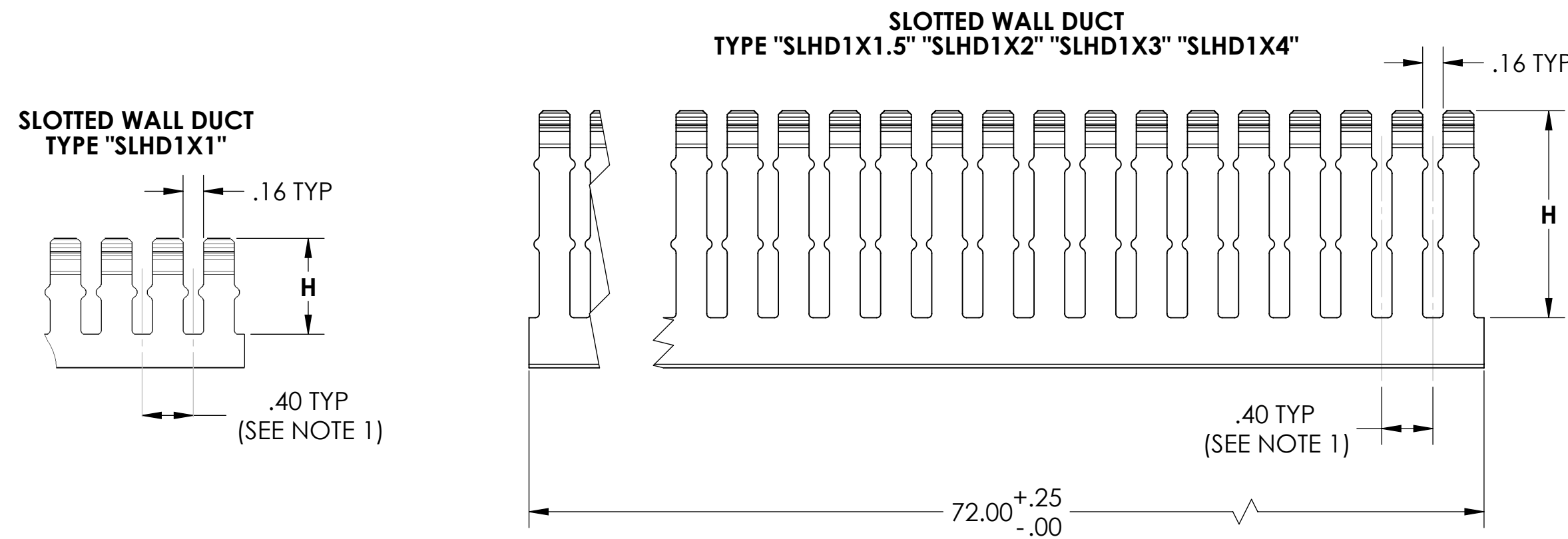
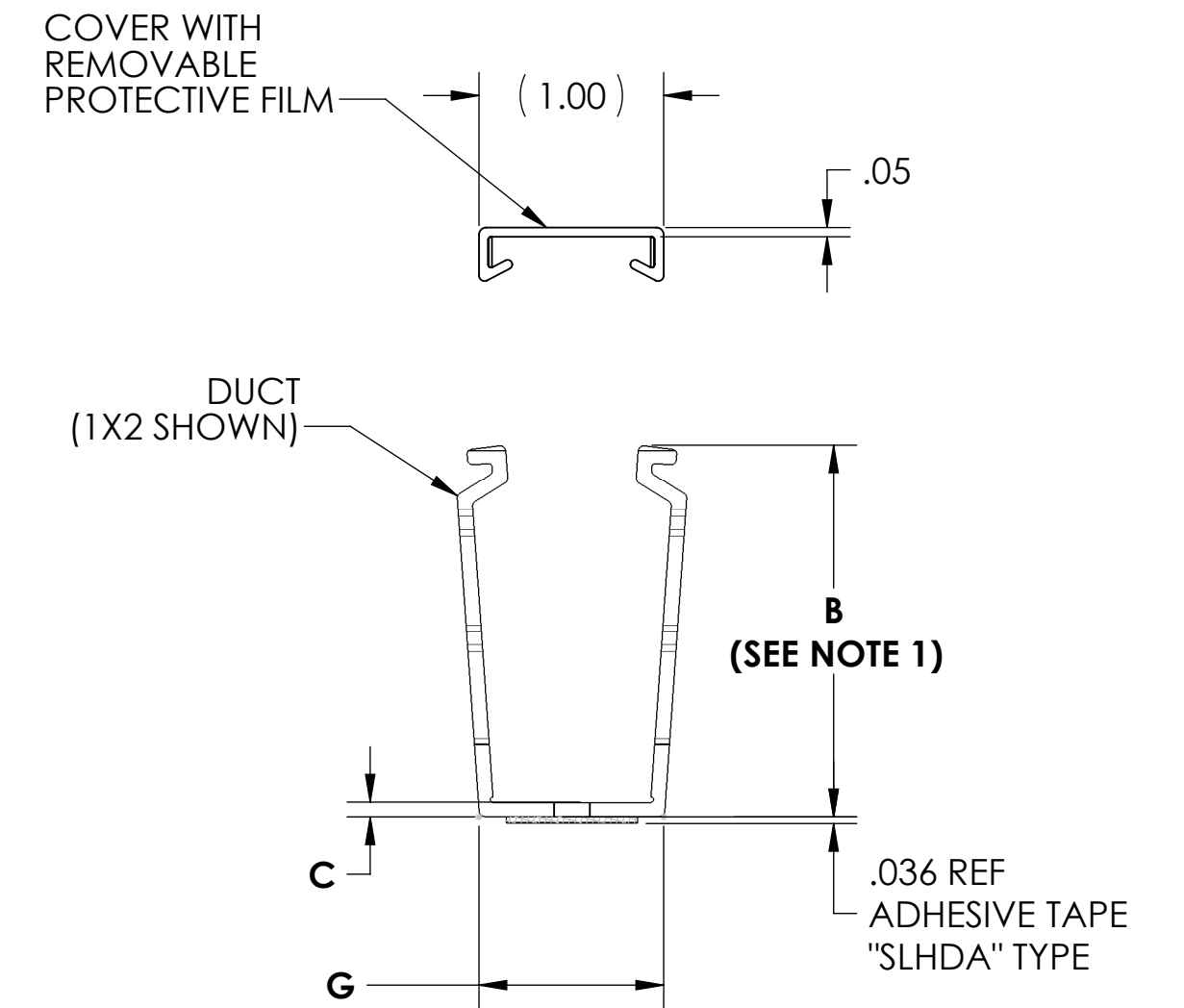
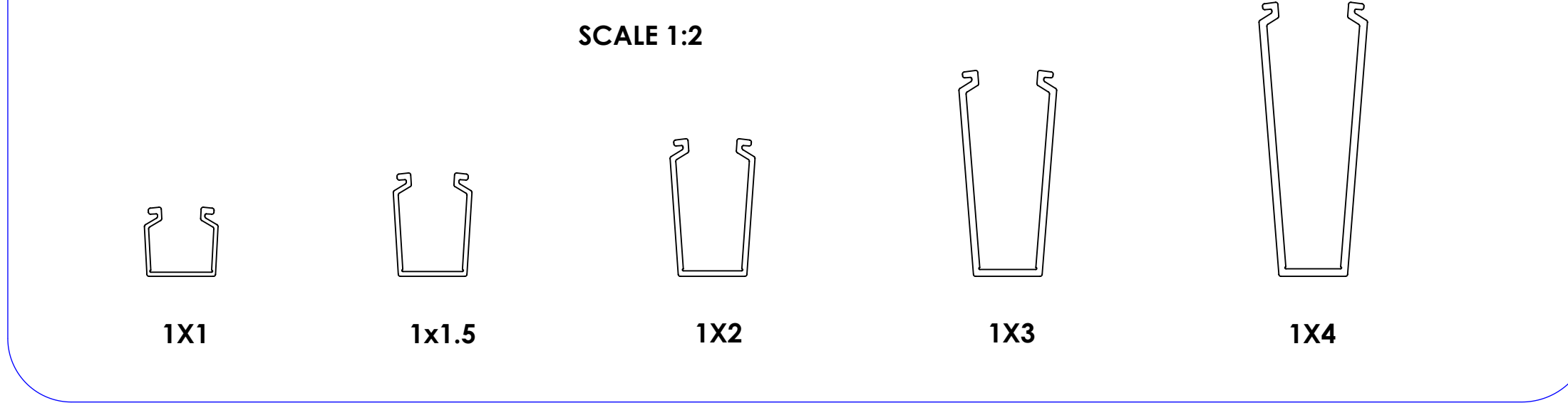


Revision level		Revision Record	Changed	Date	Approved	Date
Drawing	Part					
08	-	SEE ECN# 012210	MHT	01/05/2012	CJR	11/20/2012



50% WIRE FILL CAPACITY

DUCT SIZE (WxH)	DUCT AREA (Sq. In.)	WIRE O.D.																	
		12AWG					14AWG				16AWG			18AWG			22AWG		
		TWISTED PAIR 24 AWG UNSHIELDED			TWISTED PAIR 24 AWG UNSHIELDED		TWISTED PAIR 24 AWG UNSHIELDED		TWISTED PAIR 24 AWG UNSHIELDED		TWISTED PAIR 24 AWG UNSHIELDED		TWISTED PAIR 24 AWG UNSHIELDED		TWISTED PAIR 24 AWG UNSHIELDED		TWISTED PAIR 24 AWG UNSHIELDED		
		4 Pr. Cat 5e	4 Pr. Cat 6	4 Pr. Cat 6a															
1X1	.735	.158	.165	.139	.125	.113	.065	.217	.240	.354									
1X1.5	1.135	29	27	37	46	57	171	15	13	6									
1X2	1.515	39	35	50	62	76	228	20	17	8									
1X3	2.220	57	52	73	90	111	335	30	25	11									
1X4	2.936	75	69	97	120	146	443	40	32	15									

TYPE NUMBER	DESCRIPTION	MOUNTING METHOD	B (SEE NOTE 1)	C	G	H
TC1	COVER	-	-	-	-	-
SLHD1X1	HD SLOTTED DUCT	SCREW	1.004 +.020/-0.015	.060 ±.005	1.000 +/--.025	.750 ±.010
SLHD1X1.5	"	"	1.506 +.025/-0.020	.070 ±.005	1.000 +/--.025	1.190 ±.015
SLHD1X2	"	"	2.008 +.025/-0.020	.080 +.005/-0.012	1.000 +.025/-0.039	1.620 ±.015
SLHD1X3	"	"	3.009 +.035/-0.020	.100 ±.010	1.000 +/--.029	2.600 ±.015
SLHD1X4	"	"	4.008 +.045/-0.020	.110 +.008/-0.015/08	1.000 +/--.031	3.600 ±.015
SLHDA1X1	HD SLOTTED DUCT W/ADHES.	ADHESIVE TAPE	1.004 +.020/-0.015	.060 ±.005	1.000 +/--.025	.750 ±.010
SLHDA1X1.5	"	"	1.506 +.025/-0.020	.070 ±.005	1.000 +/--.025	1.190 ±.015
SLHDA1X2	"	"	2.008 +.025/-0.020	.080 +.005/-0.012	1.000 +.025/-0.039	1.620 ±.015
SLHDA1X3	"	"	3.009 +.035/-0.020	.100 ±.010	1.000 +/--.029	2.600 ±.015
SLHDA1X4	"	"	4.008 +.045/-0.020	.110 +.008/-0.015/08	1.000 +/--.031	3.600 ±.015

Notes: 1) BOTH SIDES ALIKE WITHIN .015

Material: PVC AVAILABLE IN WHITE, GRAY, BLACK, OR BLUE CONSULT FACTORY FOR OTHER COLORS RoHS COMPLIANT

Units: inches
Dimension without tolerances details to:
.xxxx = ±.0005
.xxx = ±.005
.xx = ±.01
.x = ±.03
None = ±.06
∠ = ±0.5°

The copyright of this drawing is reserved by HellermannTyton. It is issued on condition that it is not reproduced, copied, or disclosed to a third party, either wholly or in part, without the consent of HellermannTyton.

Drawn: KAC 06/17/2009
Approved: [Signature]
Article/Type-No: SEE CHART
Title: 1" WIDE SLHD, SLHDA DUCT WITH COVER
Drawing-No: DT07-021-103CST
Pre-Production: Phase
Scale: 1:1
Project Number: PRP07-021
Format: C
Sheet: 1/1

HellermannTyton
North America
Email: corp@htamericas.com
Web: www.hellermann.tyton.com