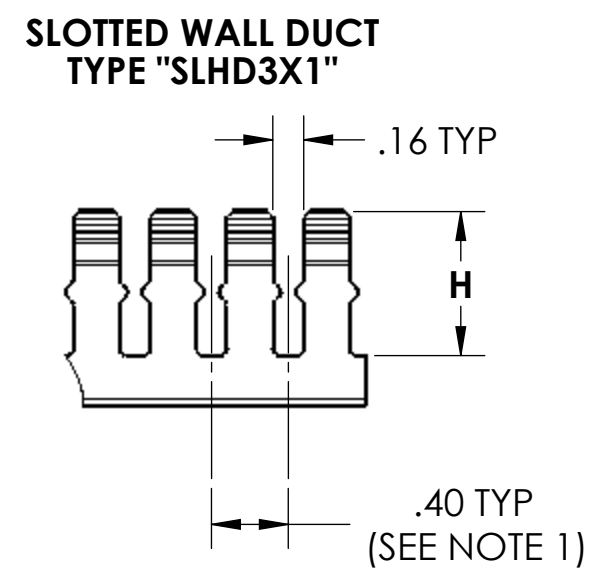
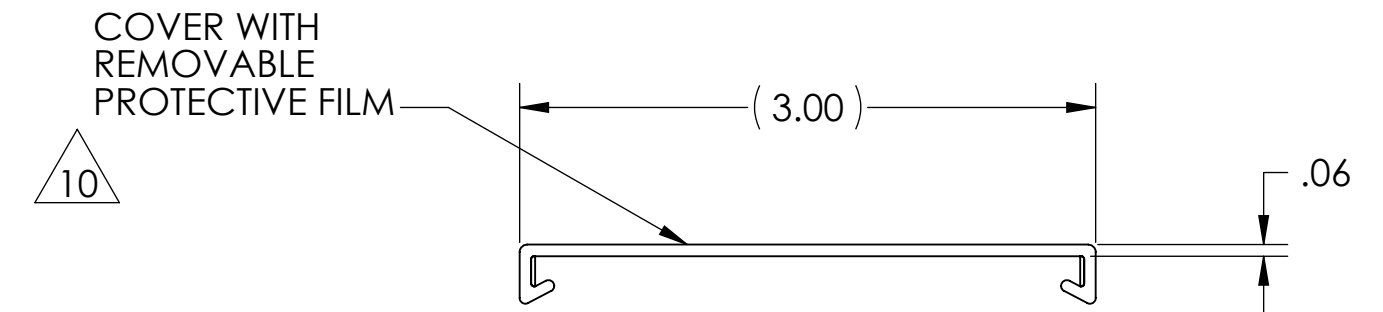
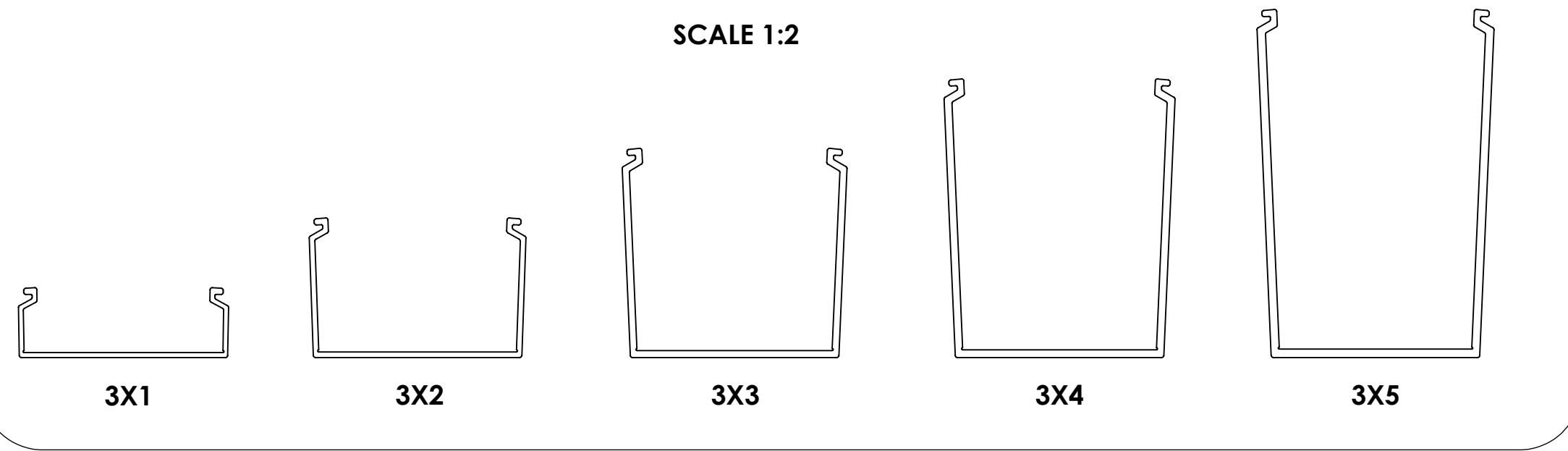
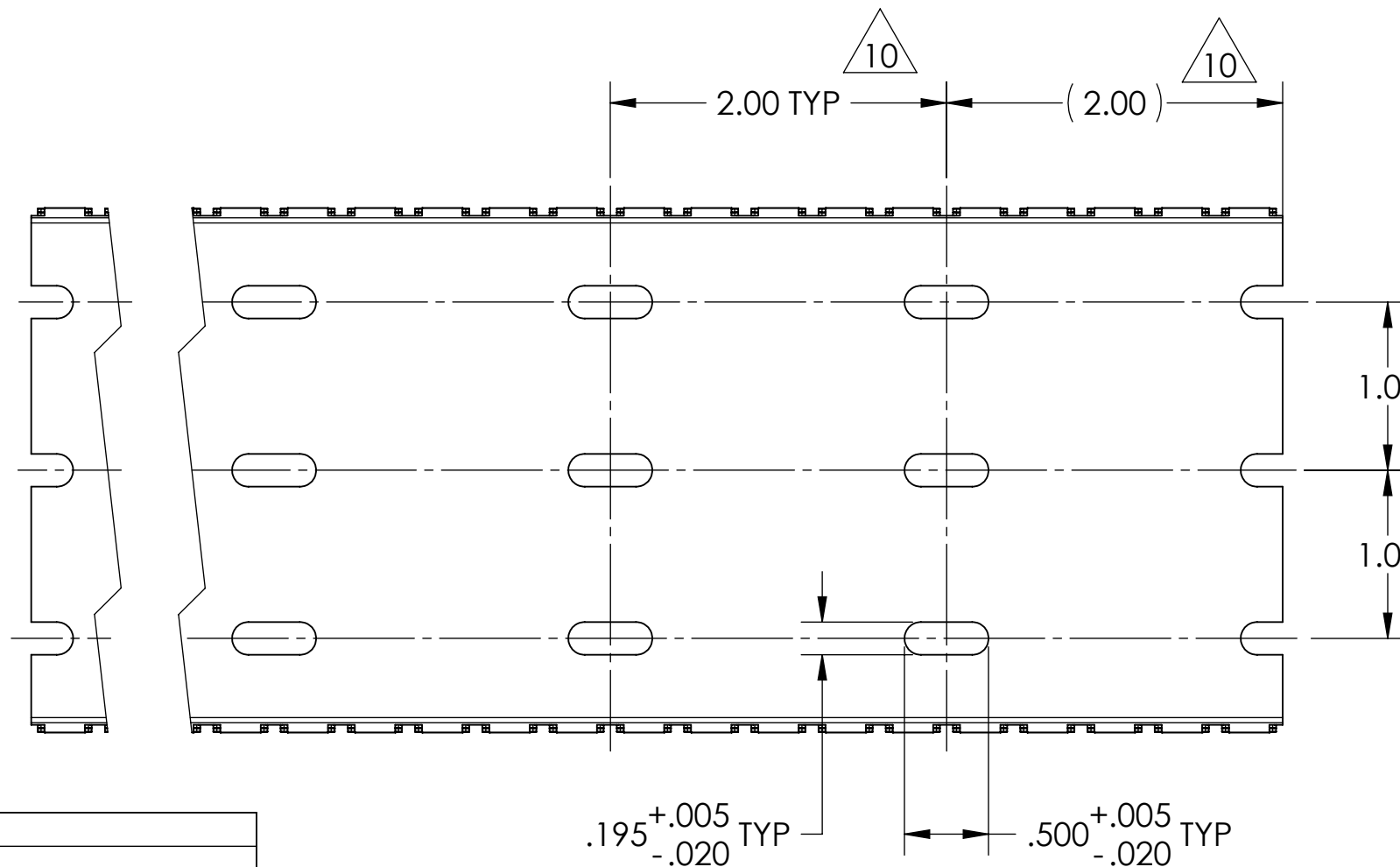
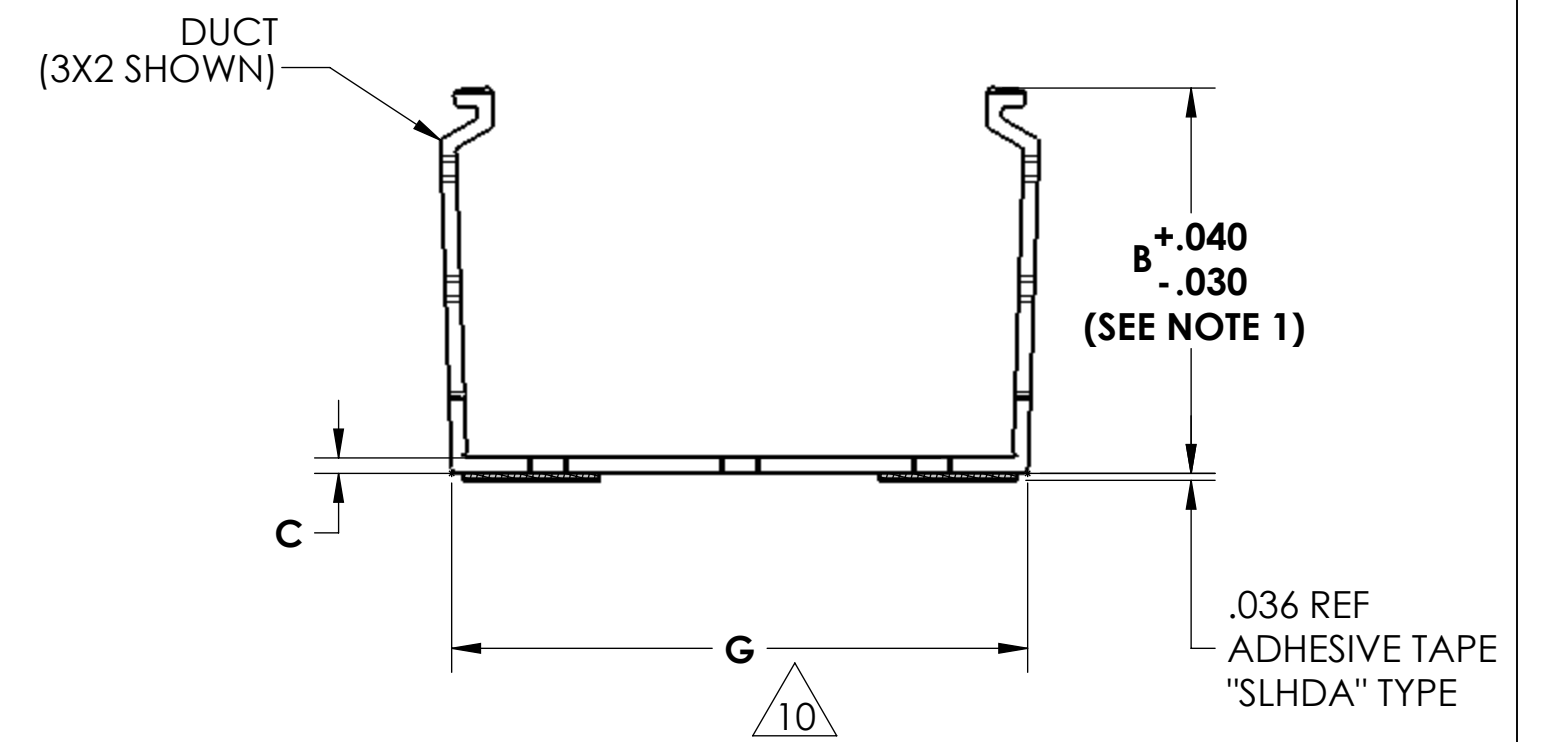
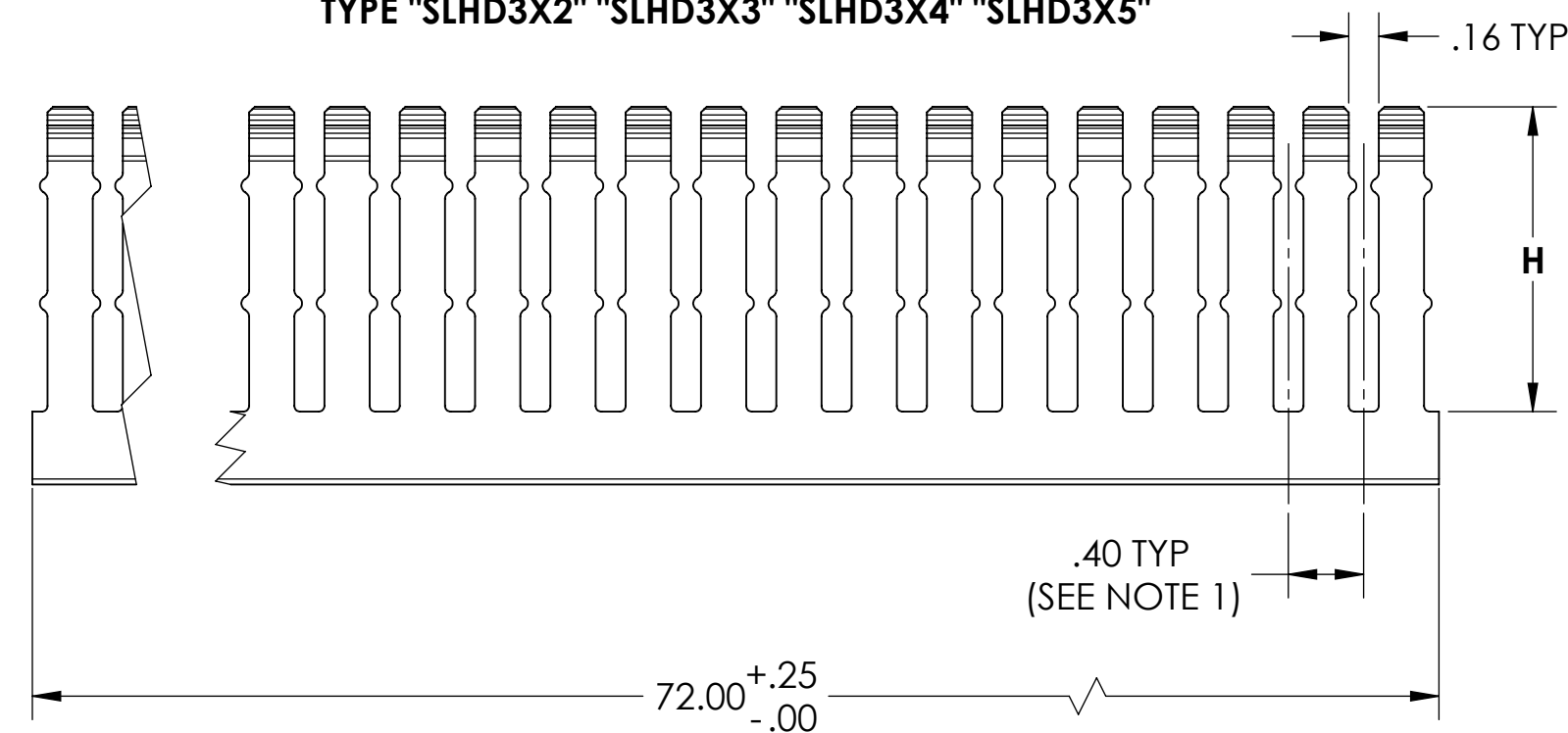


SCALE 1:2

| Revision level |      | Revision Record | Changed | Date       | Approved | Date       |
|----------------|------|-----------------|---------|------------|----------|------------|
| Drawing        | Part |                 |         |            |          |            |
| 10             | -    | SEE ECN# 100016 | MHT     | 01/09/2012 | MHT      | 02/06/2012 |



SLOTTED WALL DUCT  
TYPE "SLHD3X2" "SLHD3X3" "SLHD3X4" "SLHD3X5"



| 50% WIRE FILL CAPACITY |                     |           |       |       |       |       |                                |      |      |      |       |  |  |
|------------------------|---------------------|-----------|-------|-------|-------|-------|--------------------------------|------|------|------|-------|--|--|
| DUCT SIZE (WxH)        | DUCT AREA (Sq. In.) | WIRE O.D. |       |       |       |       |                                |      |      |      |       |  |  |
|                        |                     | 12AWG     |       |       |       |       | 14AWG                          |      |      |      | 16AWG |  |  |
|                        |                     | 12AWG     | 14AWG | 16AWG | 18AWG | 22AWG | TWISTED PAIR 24 AWG UNSHIELDED |      |      |      |       |  |  |
|                        |                     | .158      | .165  | .139  | .125  | .113  | .065                           | .217 | .240 | .354 |       |  |  |
| 3X1                    | 2.573               | 66        | 60    | 85    | 105   | 128   | 388                            | 35   | 28   | 13   |       |  |  |
| 3X2                    | 5.364               | 137       | 125   | 177   | 219   | 268   | 809                            | 73   | 59   | 27   |       |  |  |
| 3X3                    | 8.028               | 205       | 188   | 265   | 327   | 400   | 1210                           | 109  | 89   | 41   |       |  |  |
| 3X4                    | 10.724              | 274       | 251   | 354   | 437   | 535   | 1617                           | 145  | 119  | 55   |       |  |  |
| 3X5                    | 13.368              | 341       | 313   | 441   | 545   | 667   | 2015                           | 181  | 148  | 68   |       |  |  |

| TYPE NUMBER | DESCRIPTION              | MOUNTING METHOD | B   | C                 | G              | H          |
|-------------|--------------------------|-----------------|-----|-------------------|----------------|------------|
| TC3         | COVER                    | -               | -   | -                 | -              | -          |
| SLHD3X1     | HD SLOTTED DUCT          | SCREW           | 1.0 | .070±.005         | 3.000 +/- .025 | .750±.010  |
| SLHD3X2     | "                        | "               | 2.0 | .080±.005         | 3.000 +/- .025 | 1.620±.015 |
| SLHD3X3     | "                        | "               | 3.0 | .100 +.015/- .007 | 3.000 +/- .029 | 2.600±.015 |
| SLHD3X4     | "                        | "               | 4.0 | .110±.008         | 3.000 +/- .031 | 3.600±.015 |
| SLHD3X5     | "                        | "               | 5.0 | .120±.009         | 3.000 +/- .033 | 4.600±.015 |
| SLHDA3X1    | HD SLOTTED DUCT W/ADHES. | ADHESIVE TAPE   | 1.0 | .070±.005         | 3.000 +/- .025 | .750±.010  |
| SLHDA3X2    | "                        | "               | 2.0 | .080±.005         | 3.000 +/- .025 | 1.620±.015 |
| SLHDA3X3    | "                        | "               | 3.0 | .100 +.015/- .007 | 3.000 +/- .029 | 2.600±.015 |
| SLHDA3X4    | "                        | "               | 4.0 | .110±.008         | 3.000 +/- .031 | 3.600±.015 |
| SLHDA3X5    | "                        | "               | 5.0 | .120±.009         | 3.000 +/- .033 | 4.600±.015 |

Notes  
1) BOTH SIDES ALIKE WITHIN .015



Material

PVC  
AVAILABLE IN WHITE,  
GRAY, BLACK, OR BLUE  
CONSULT FACTORY FOR  
OTHER COLORS  
RoHS COMPLIANT

Units

inches  
Dimension without tolerances  
details to:  
.xxxx = ±.0005  
.xxx = ±.005  
.xx = ±.01  
.x = ±.03  
None = ±.06  
∠ = ±0.5°

The copyright of this drawing is reserved by HellermannTyton. It is issued on condition that it is not reproduced, copied, or disclosed to a third party, either wholly or in part, without the consent of HellermannTyton.

|   |     |            |                        |                                     |                |           |
|---|-----|------------|------------------------|-------------------------------------|----------------|-----------|
| Drawn   | KAC | 06/22/2009 | Article/Type-No        | SEE CHART                           | Scale          | 1:1       |
| Approved  |     |            | Title                  | 3" WIDE SLHD, SLHDA DUCT WITH COVER | Project Number | PRP07-021 |
| HellermannTyton<br>North America<br>Email: corp@htamericas.com<br>Web: www.hellermann.tyton.com |     |            | Drawing-No             | DT07-021-303CST                     | Format         | C         |
|   |     |            | Pre-Production : Phase |                                     | Sheet          | 1/1       |