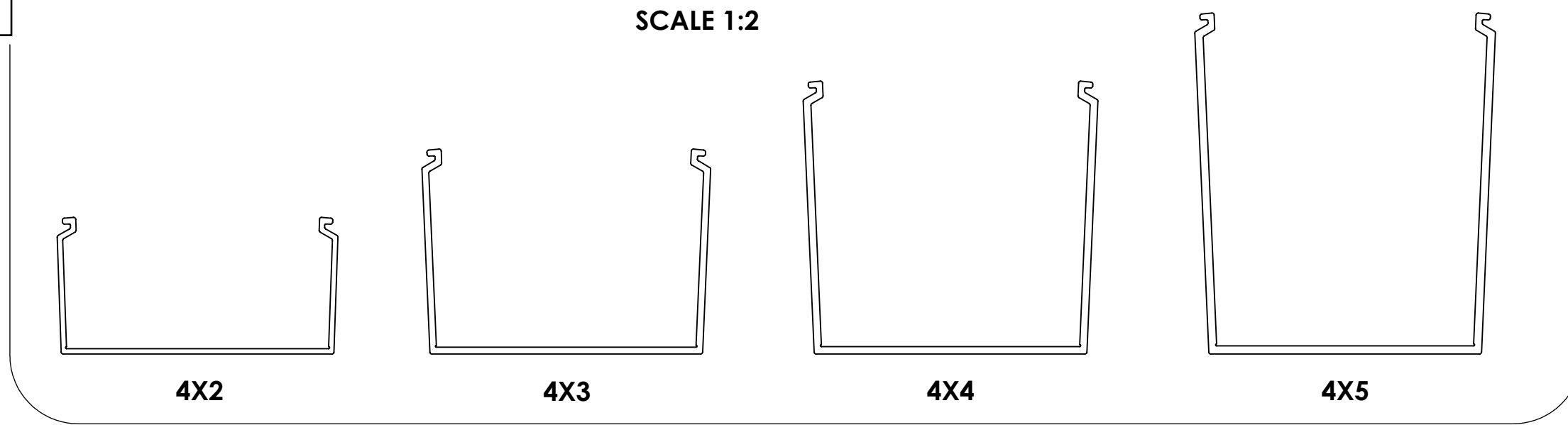
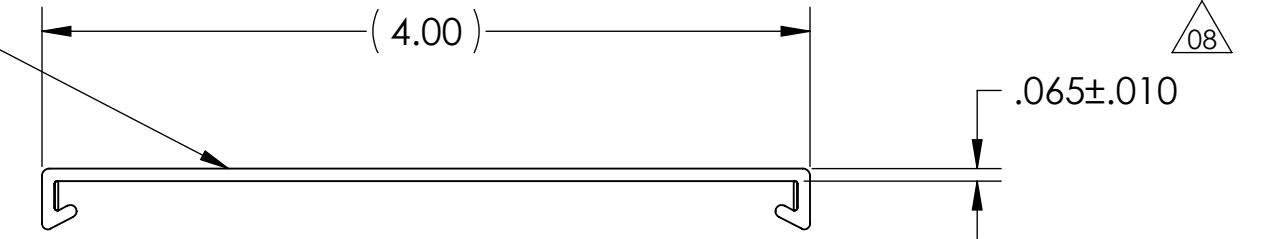


SCALE 1:2

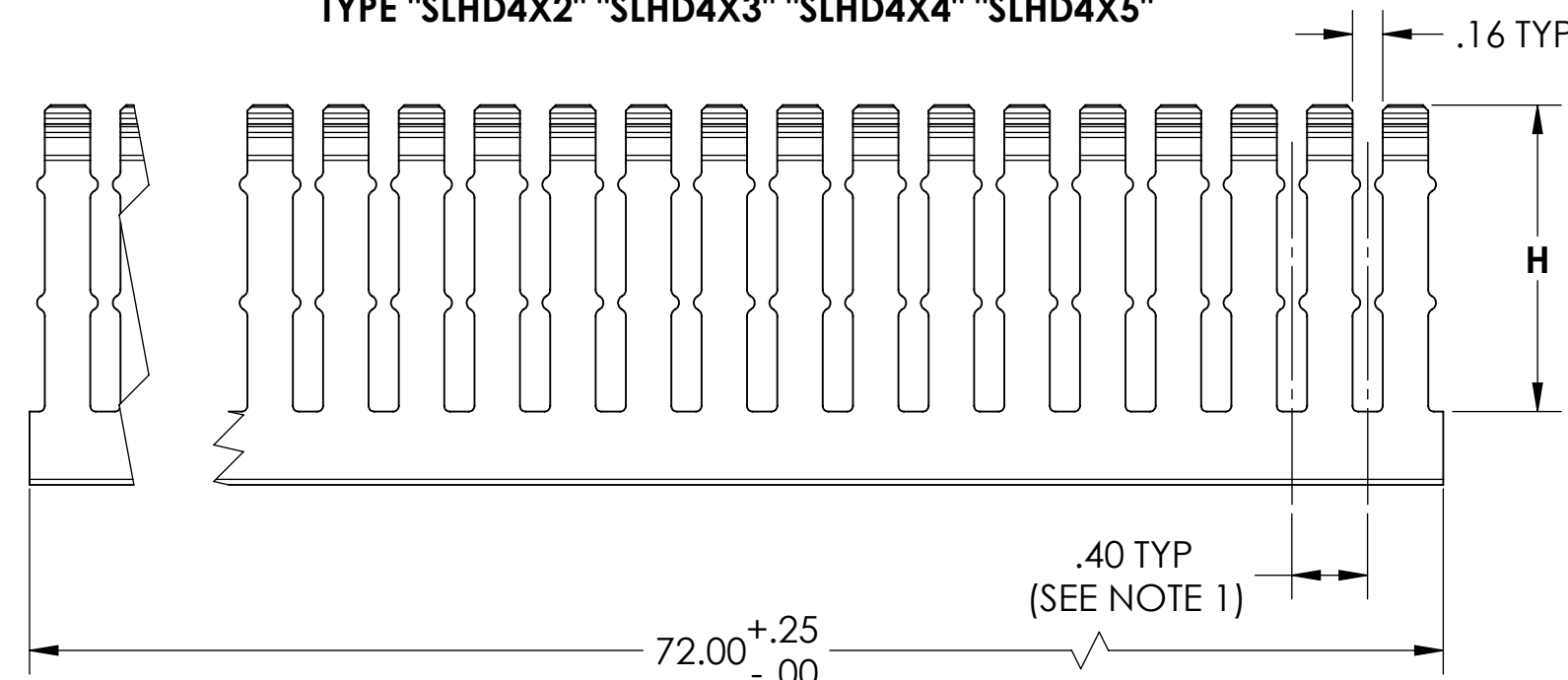
Revision level		Revision Record	Changed	Date	Approved	Date
Drawing	Part					
08	-	SEE ECN# 100016	MHT	01/09/2012	MHT	02/06/2012



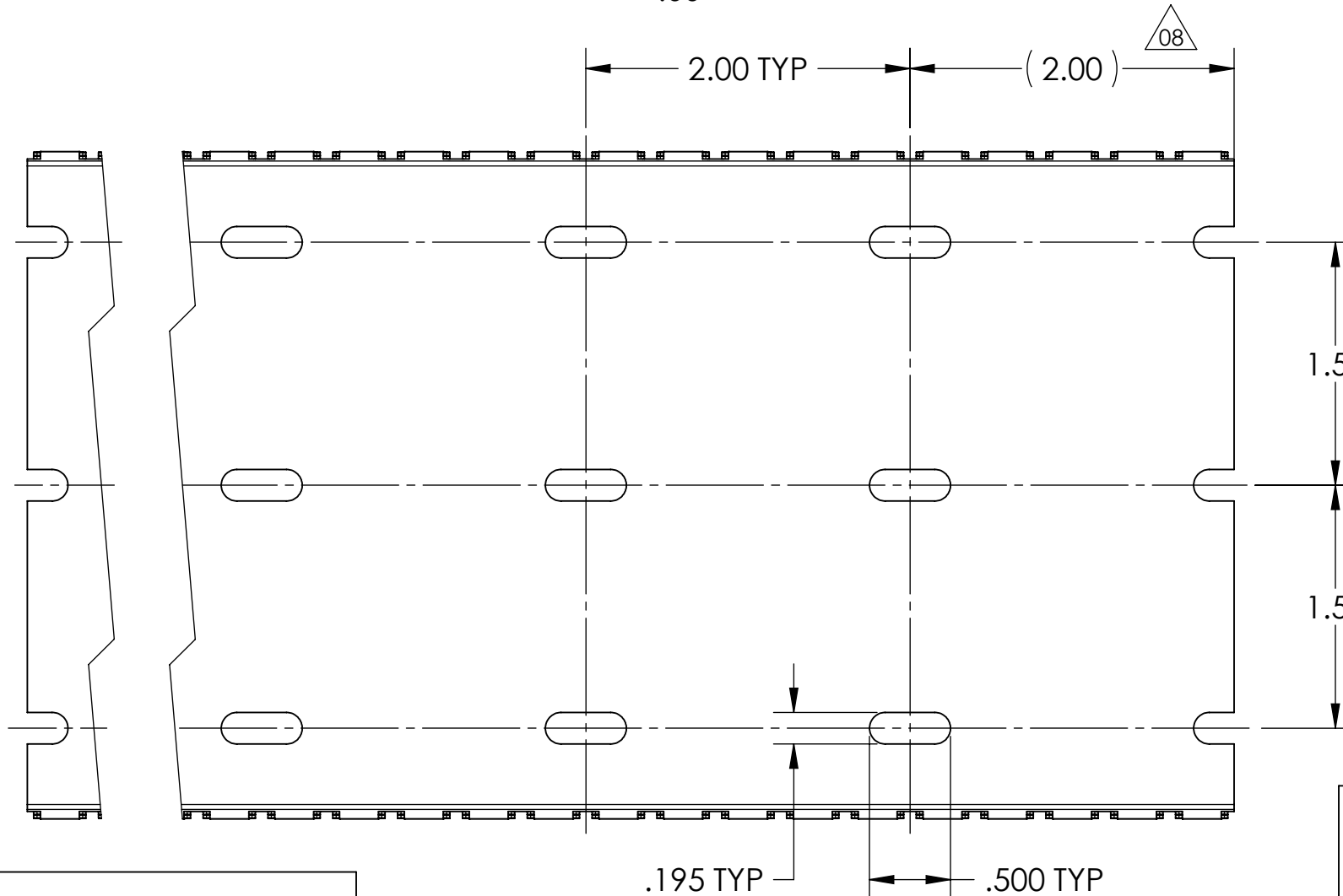
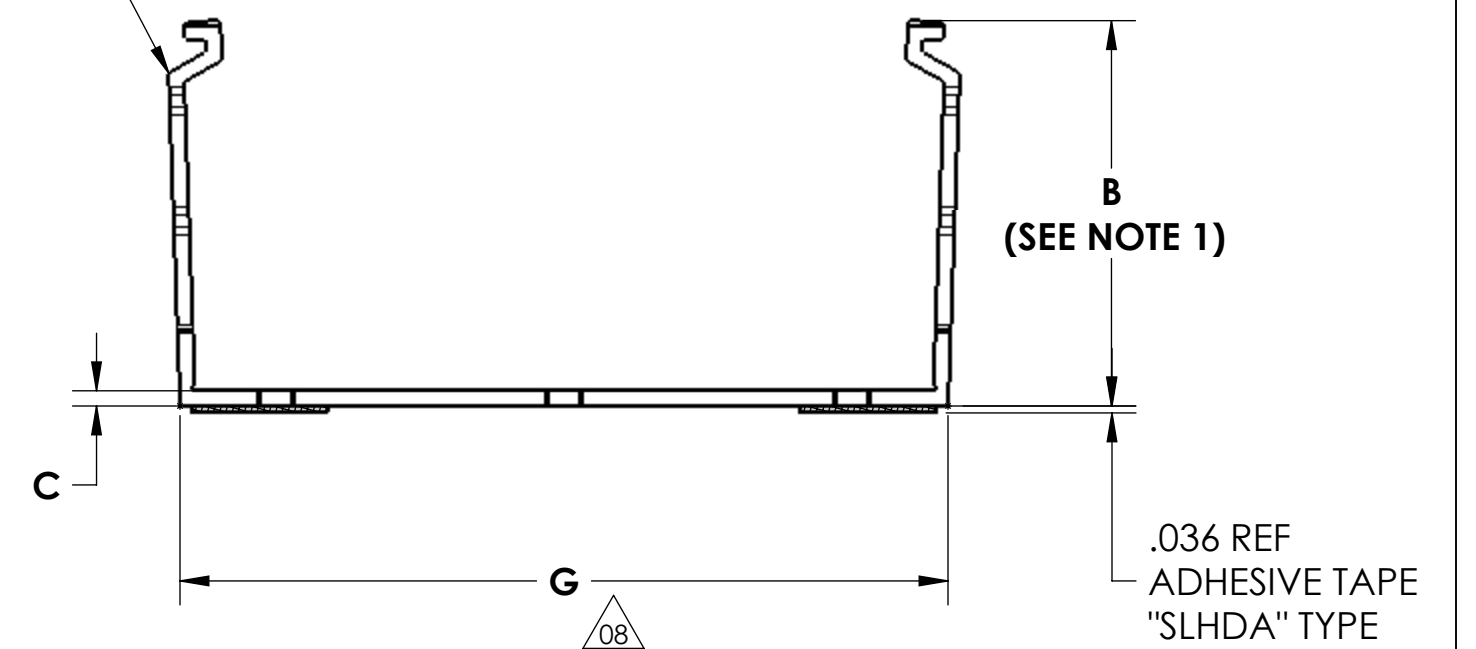
COVER WITH REMOVABLE PROTECTIVE FILM



SLOTTED WALL DUCT
TYPE "SLHD4X2" "SLHD4X3" "SLHD4X4" "SLHD4X5"



DUCT (4X2 SHOWN)



DUCT SIZE (WxH)	DUCT AREA (Sq. In.)	50% WIRE FILL CAPACITY								
		WIRE O.D.						TWISTED PAIR 24 AWG UNSHIELDED		
		12AWG	14AWG	16AWG	18AWG	22AWG	4 Pr. Cat 5e	4 Pr. Cat 6	4 Pr. Cat 6a	
		.158	.165	.139	.125	.113	.065	.217	.240	.354
4X2	7.288	186	171	240	297	364	1099	99	81	37
4X3	10.932	279	256	360	446	545	1648	148	121	56
4X4	14.619	373	342	482	596	729	2204	198	162	74
4X5	18.246	466	427	602	744	910	2751	247	202	93

TYPE NUMBER	DESCRIPTION	MOUNTING METHOD	B (SEE NOTE 1)	C	G	H
TC4	COVER	-	-	-	-	-
SLHD4X2	HD SLOTTED DUCT	SCREW	2.008 +.025/-.020	.080 +/- .005	4.000 +/- .025	1.620 ±.015
SLHD4X3	"	"	3.009 +.035/-.020	.100 +/- .007	4.000 +/- .029	2.600 ±.015
SLHD4X4	"	"	4.008 +.045/-.020	.110 +/- .008	4.000 +/- .031	3.600 ±.015
SLHD4X5	"	"	5.007 +.055/-.020	.120 +/- .009	4.000 +/- .033	4.600 ±.015
SLHDA4X2	HD SLOTTED DUCT W/ADHES.	ADHESIVE TAPE	2.008 +.025/-.020	.080 +/- .005	4.000 +/- .025	1.620 ±.015
SLHDA4X3	"	"	3.009 +.035/-.020	.100 +/- .007	4.000 +/- .029	2.600 ±.015
SLHDA4X4	"	"	4.008 +.045/-.020	.110 +/- .008	4.000 +/- .031	3.600 ±.015
SLHDA4X5	"	"	5.007 +.055/-.020	.120 +/- .009	4.000 +/- .033	4.600 ±.015

Notes
1) BOTH SIDES ALIKE WITHIN .015



Material
PVC
AVAILABLE IN WHITE,
GRAY, BLACK, OR BLUE
CONSULT FACTORY FOR
OTHER COLORS
RoHS COMPLIANT

Units inches
Dimension without tolerances
details to:
.xxxx = ±.0005
.xxx = ±.005
.xx = ±.01
.x = ±.03
None = ±.06
∠ = ±0.5°

The copyright of this drawing is reserved by HellermannTyton. It is issued on condition that it is not reproduced, copied, or disclosed to a third party, either wholly or in part, without the consent of HellermannTyton.

Drawn	KAC	06/23/2009	Article/Type-No	SEE CHART	Scale	1:1
Approved			Title	4" WIDE SLHD, SLHDA DUCT WITH COVER	Project Number	PRP07-021
<p>North America Email: corp@htamericas.com Web: www.hellermann.tyton.com</p>			Drawing-No	DT07-021-403CST	Format	C
			Pre-Production : Phase		Sheet	1/1