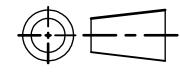
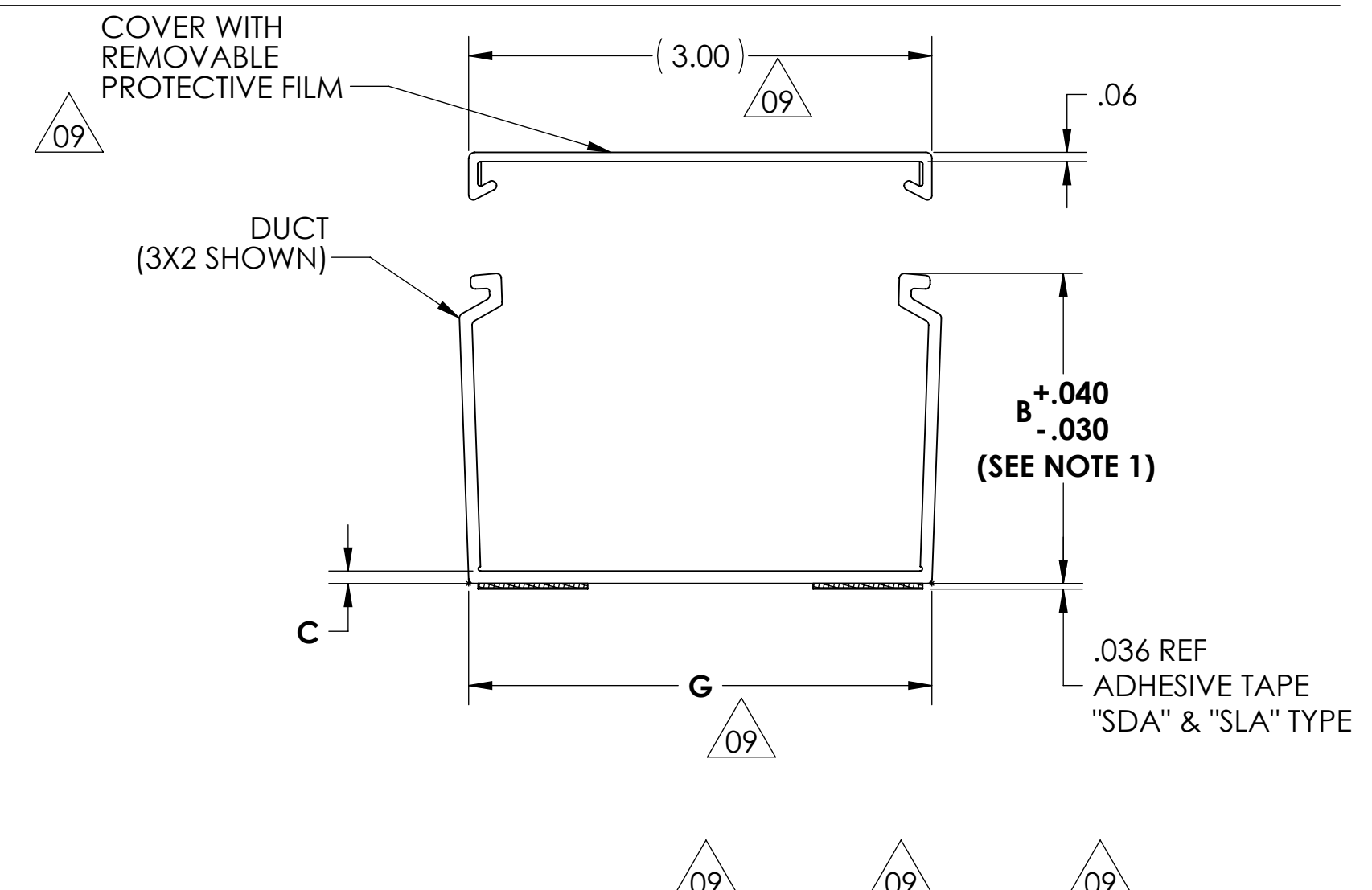
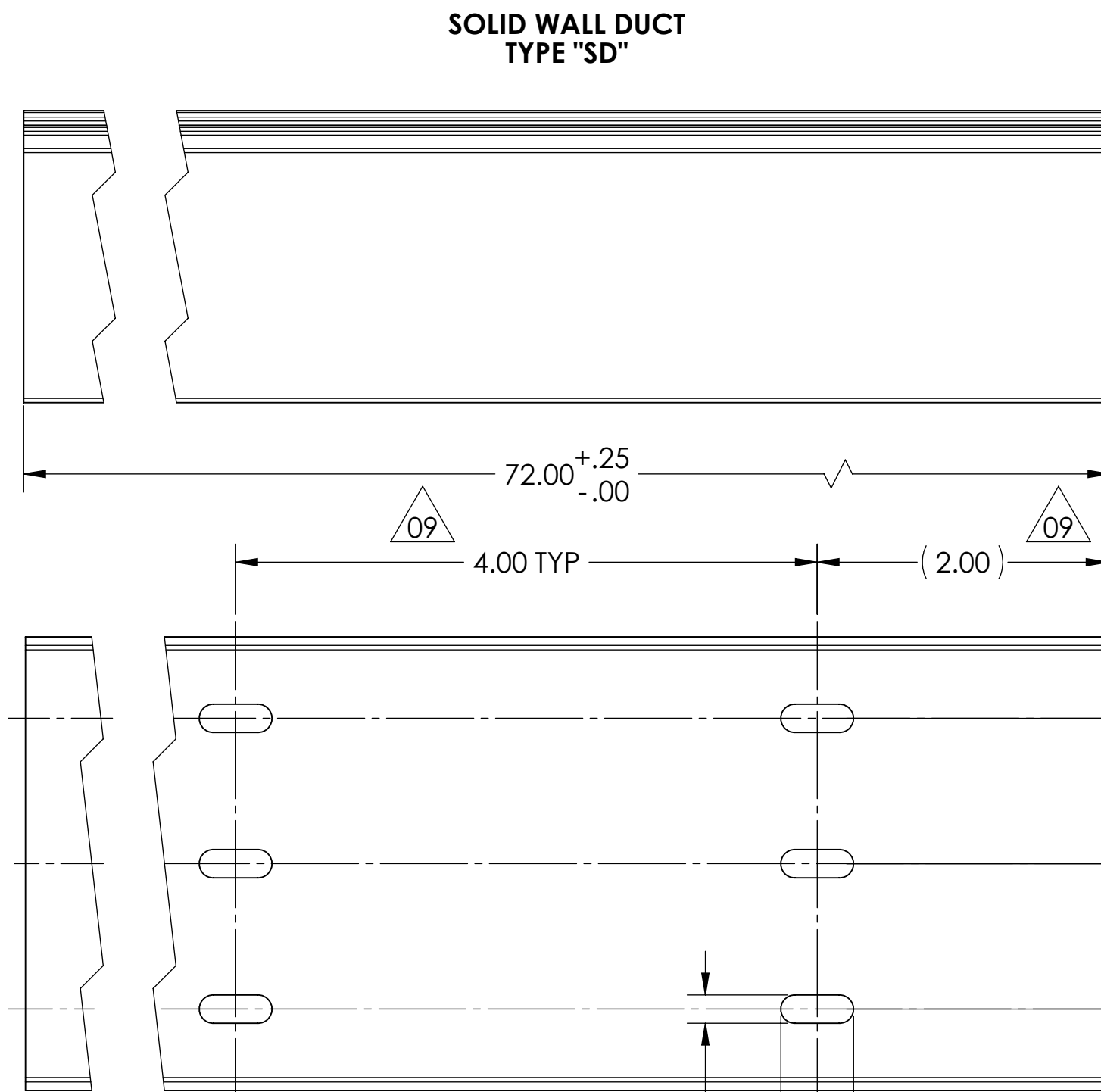
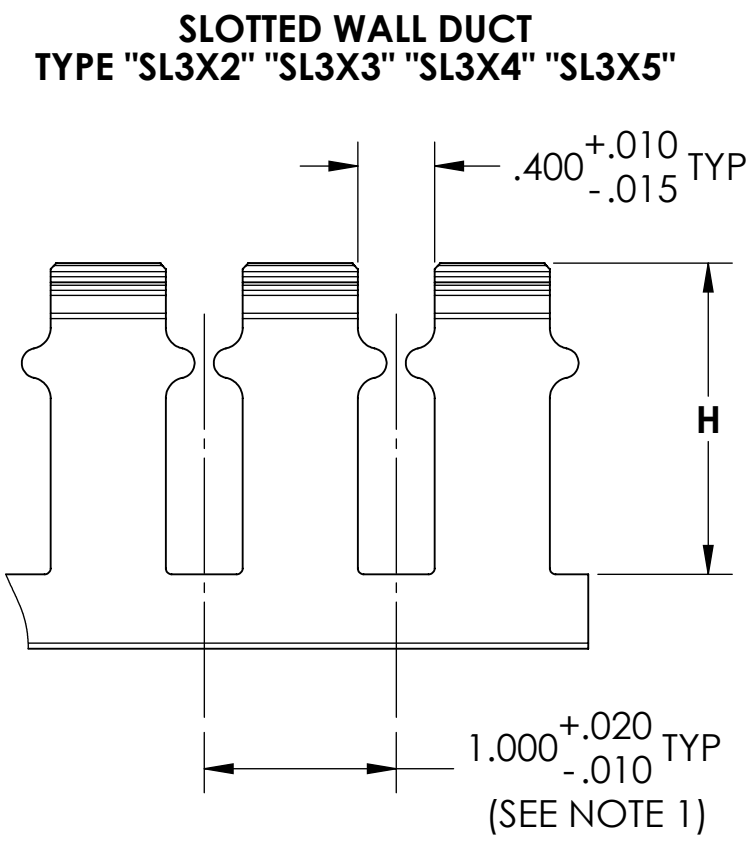
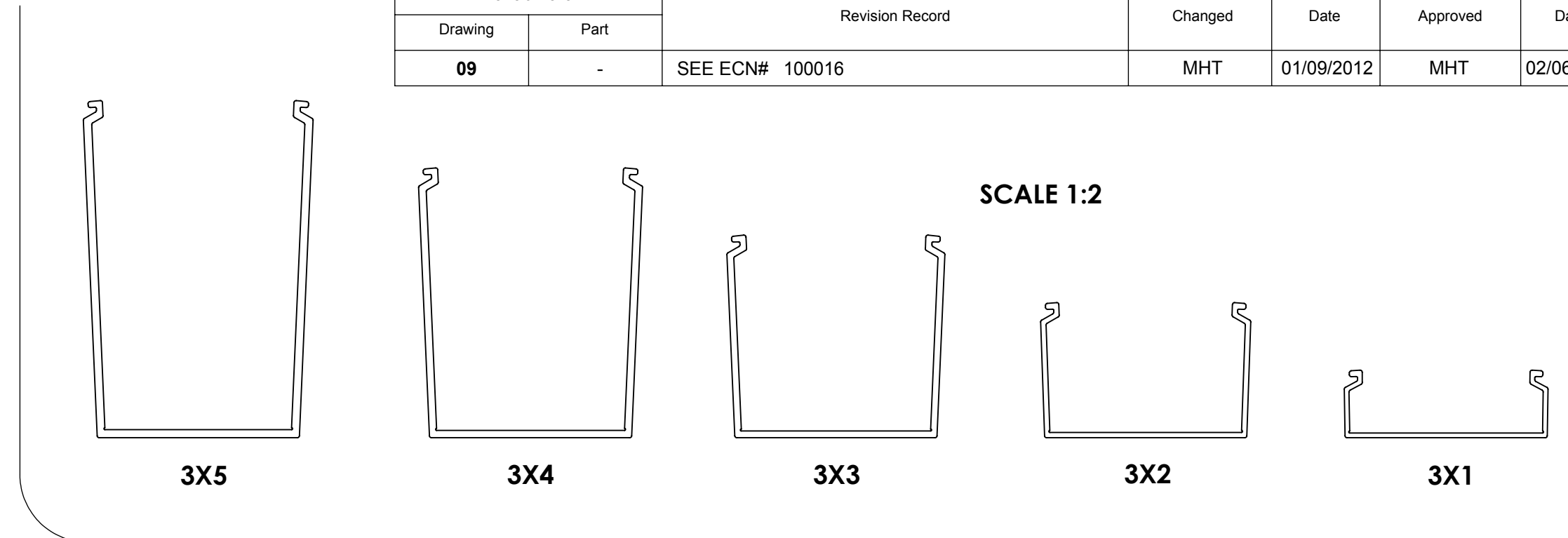
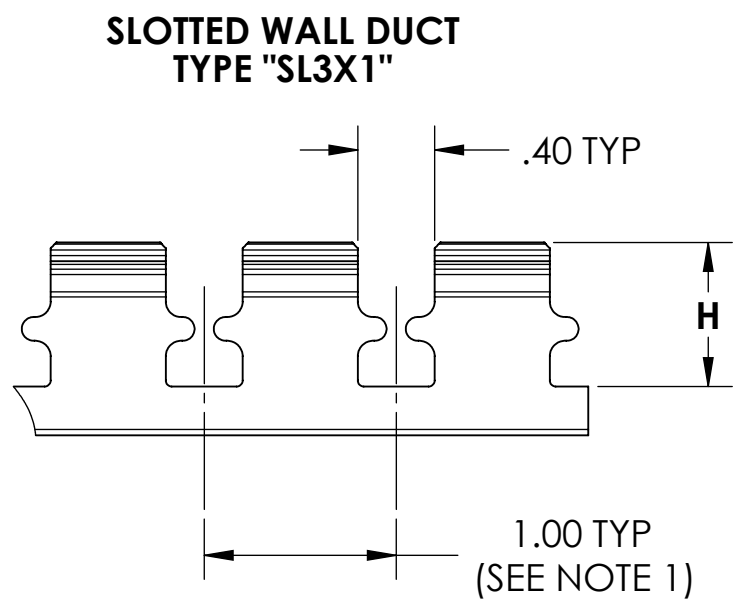


SW2010



Revision level		Revision Record	Changed	Date	Approved	Date
Drawing	Part					
09	-	SEE ECN# 100016	MHT	01/09/2012	MHT	02/06/2012



50% WIRE FILL CAPACITY

DUCT SIZE (WxH)	DUCT AREA (Sq. In.)	WIRE O.D.																		
		12AWG					14AWG				16AWG									
		12AWG	14AWG	16AWG	18AWG	22AWG	TWISTED PAIR 24 AWG UNSHIELDED													
						4 Pr. Cat 5e	4 Pr. Cat 6	4 Pr. Cat 6a												
3X1	2.573	.158	.165	.139	.125	.113	.065	.217	.240	.354	35	28	13							
3X2	5.364	137	125	177	219	268	809	73	59	27										
3X3	8.028	205	188	265	327	400	1210	109	89	41										
3X4	10.724	274	251	354	437	535	1617	145	119	55										
3X5	13.382	341	313	441	546	668	2017	181	148	68										

.195 +.005 / -.020 TYP      .500 +.005 / -.020 TYP

TYPE NUMBER	DESCRIPTION	MOUNTING METHOD	B (SEE NOTE 1)	C	G	H
TC3	COVER	-	-	-	-	-
SD3X1	SOLID DUCT	SCREW	1.004 +.020/-0.015	.070 +/--.005	3.000 +/--.025	-
SD3X2	"	"	2.008 +.025/-0.020	.080 +/--.005	3.000 +/--.025	-
SD3X3	"	"	3.010 +.035/-0.020	.100 +.015/-0.007	3.000 +/--.029	-
SD3X4	"	"	4.009 +.045/-0.020	.110 +/--.008	3.000 +/--.031	-
SD3X5	"	"	5.004 +.055/-0.020	.120 +/--.009	3.000 +/--.033	-
SDA3X1	SOLID DUCT W/ADHES.	ADHESIVE TAPE	1.004 +.020/-0.015	.070 +/--.005	3.000 +/--.025	-
SDA3X2	"	"	2.008 +.025/-0.020	.080 +/--.005	3.000 +/--.025	-
SDA3X3	"	"	3.010 +.035/-0.020	.100 +.015/-0.007	3.000 +/--.029	-
SDA3X4	"	"	4.009 +.045/-0.020	.110 +/--.008	3.000 +/--.031	-
SDA3X5	"	"	5.004 +.055/-0.020	.120 +/--.009	3.000 +/--.033	-
SL3X1	SLOTTED DUCT	SCREW	1.004 +.020/-0.015	.070 +/--.005	3.000 +/--.025	.750 ±.010
SL3X2	"	"	2.008 +.025/-0.020	.080 +/--.005	3.000 +/--.025	1.620 ±.015
SL3X3	"	"	3.010 +.035/-0.020	.100 +.015/-0.007	3.000 +/--.029	2.600 +.015/-0.045
SL3X4	"	"	4.009 +.045/-0.020	.110 +/--.008	3.000 +/--.031	3.600 ±.015
SL3X5	"	"	5.004 +.055/-0.020	.120 +/--.009	3.000 +/--.033	4.600 ±.015
SLA3X1	SLOTTED DUCT W/ADHES.	ADHESIVE TAPE	1.004 +.020/-0.015	.070 +/--.005	3.000 +/--.025	.750 ±.010
SLA3X2	"	"	2.008 +.025/-0.020	.080 +/--.005	3.000 +/--.025	1.620 ±.015
SLA3X3	"	"	3.010 +.035/-0.020	.100 +.015/-0.007	3.000 +/--.029	2.600 +.015/-0.045
SLA3X4	"	"	4.009 +.045/-0.020	.110 +/--.008	3.000 +/--.031	3.600 ±.015
SLA3X5	"	"	5.004 +.055/-0.020	.120 +/--.009	3.000 +/--.033	4.600 ±.015

Notes  
1) BOTH SIDES ALIKE WITHIN .015



Material  
PVC  
AVAILABLE IN WHITE, GRAY, BLACK, OR BLUE  
CONSULT FACTORY FOR OTHER COLORS  
RoHS COMPLIANT

Units inches  
Dimension without tolerances details to:  
.xxxx = ±.0005  
.xxx = ±.005  
.xx = ±.01  
.x = ±.03  
None = ±.06  
∠ = ±0.5°

The copyright of this drawing is reserved by HellermannTyton. It is issued on condition that it is not reproduced, copied, or disclosed to a third party, either wholly or in part, without the consent of HellermannTyton.

Drawn: KAC, 06/22/2009  
Approved: [Signature]  
Article/Type-No: SEE CHART  
Title: 3" WIDE SD, SDA, SL, SLA DUCT WITH COVER  
Drawing-No: DT07-021-302CST  
Pre-Production: Phase  
Scale: 1:1  
Project Number: PRP07-021  
Format: C  
Sheet: 1/1

**HellermannTyton**  
North America  
Email: corp@htamericas.com  
Web: www.hellermann.tyton.com