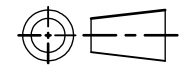
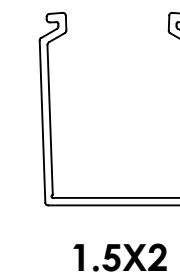
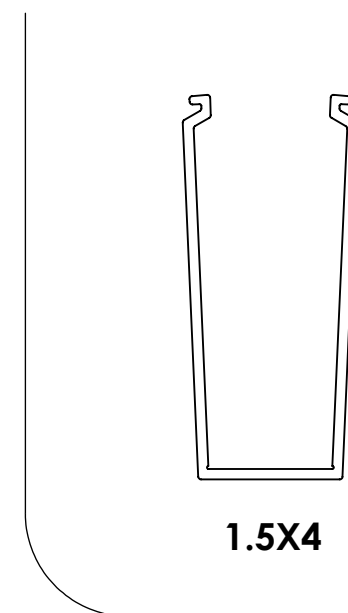
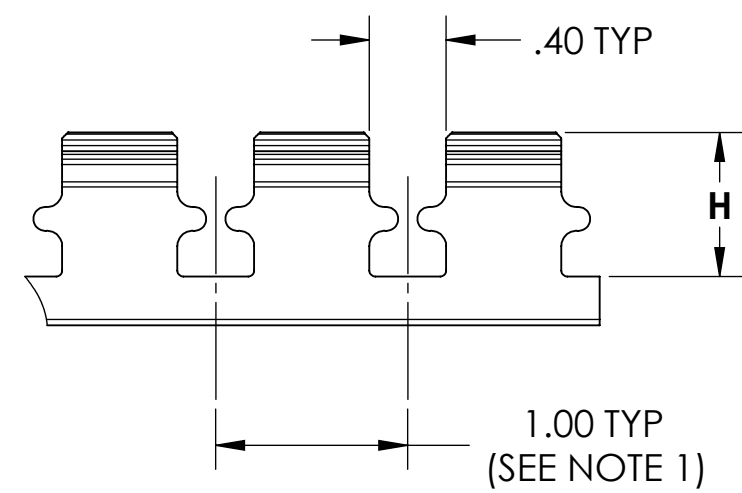


SW2010

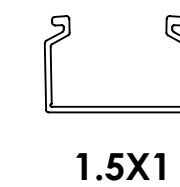


Revision level		Revision Record	Changed	Date	Approved	Date
Drawing	Part					
07	-	SEE ECN# 100016	MHT	01/05/2012	MHT	02/01/2012

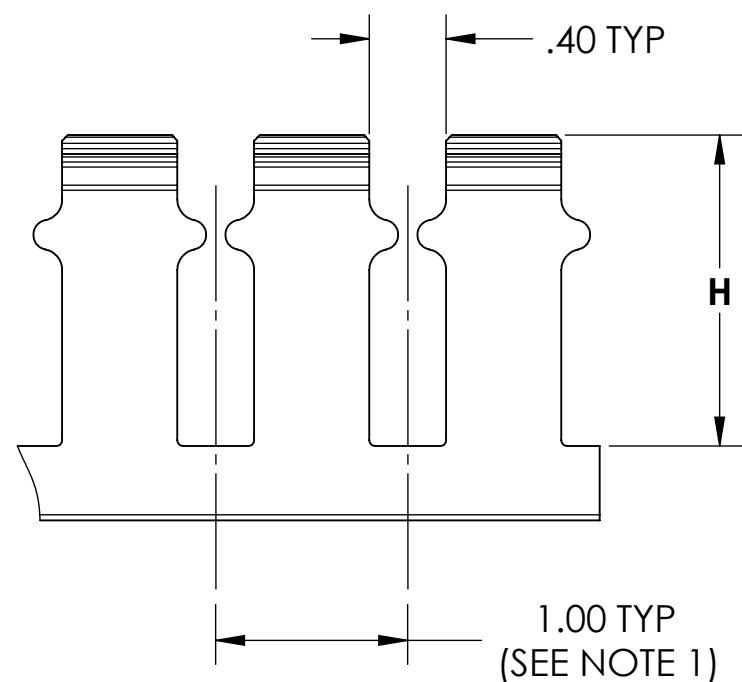
**SLOTTED WALL DUCT  
TYPE "SL1.5X1"**



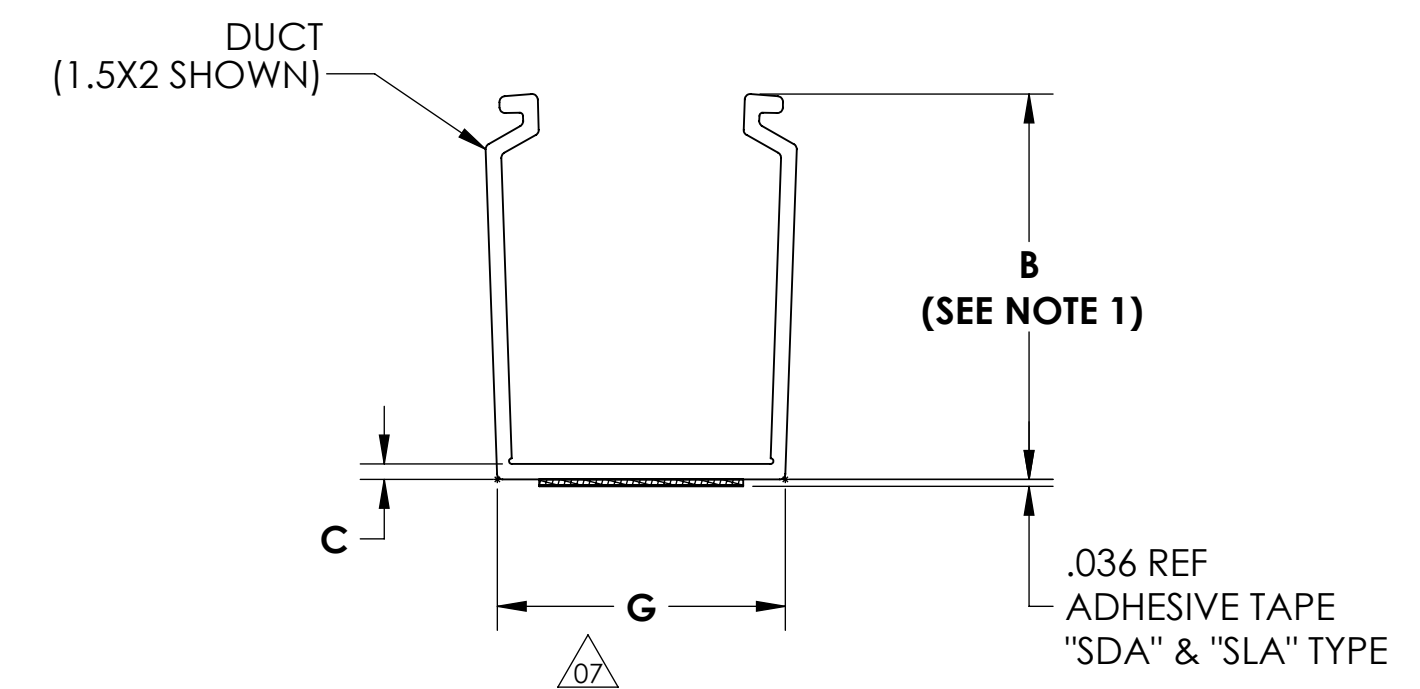
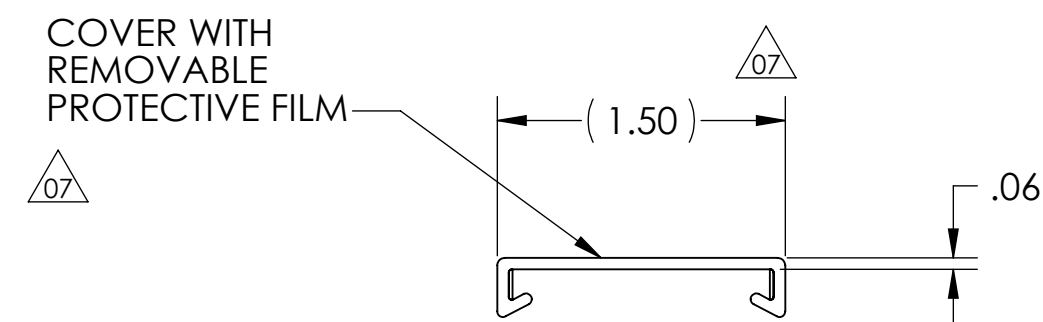
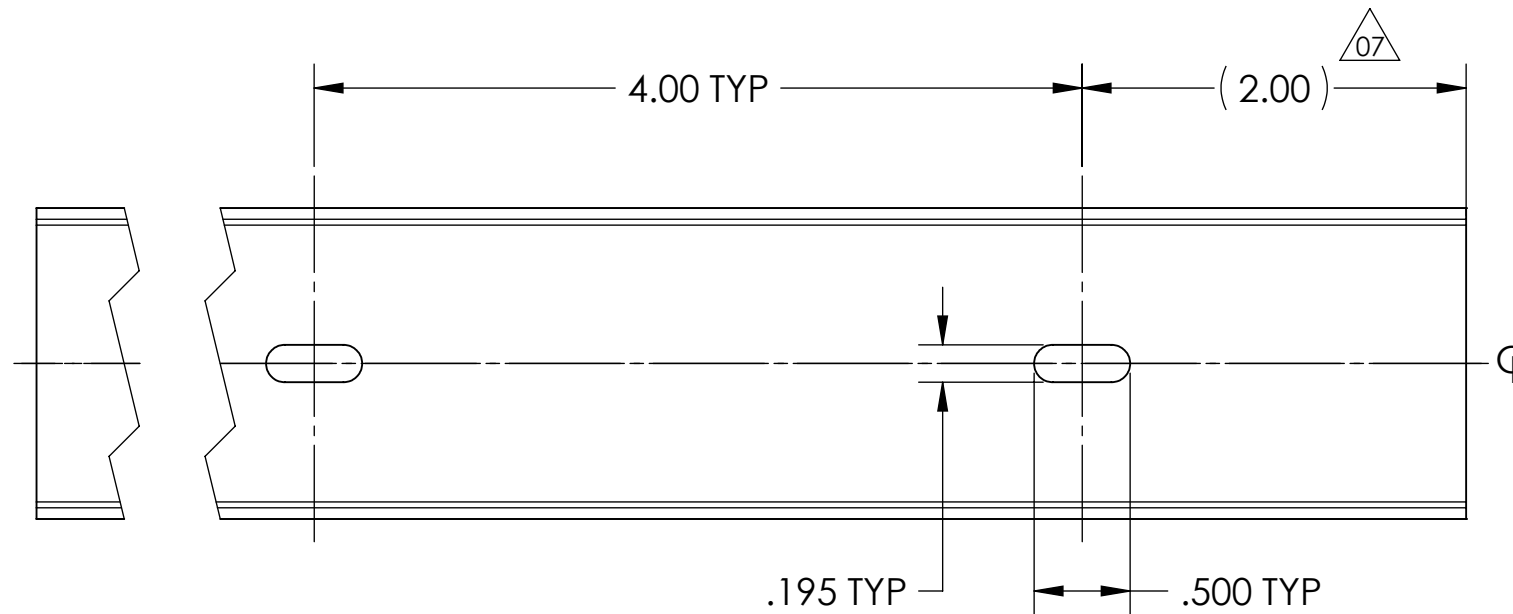
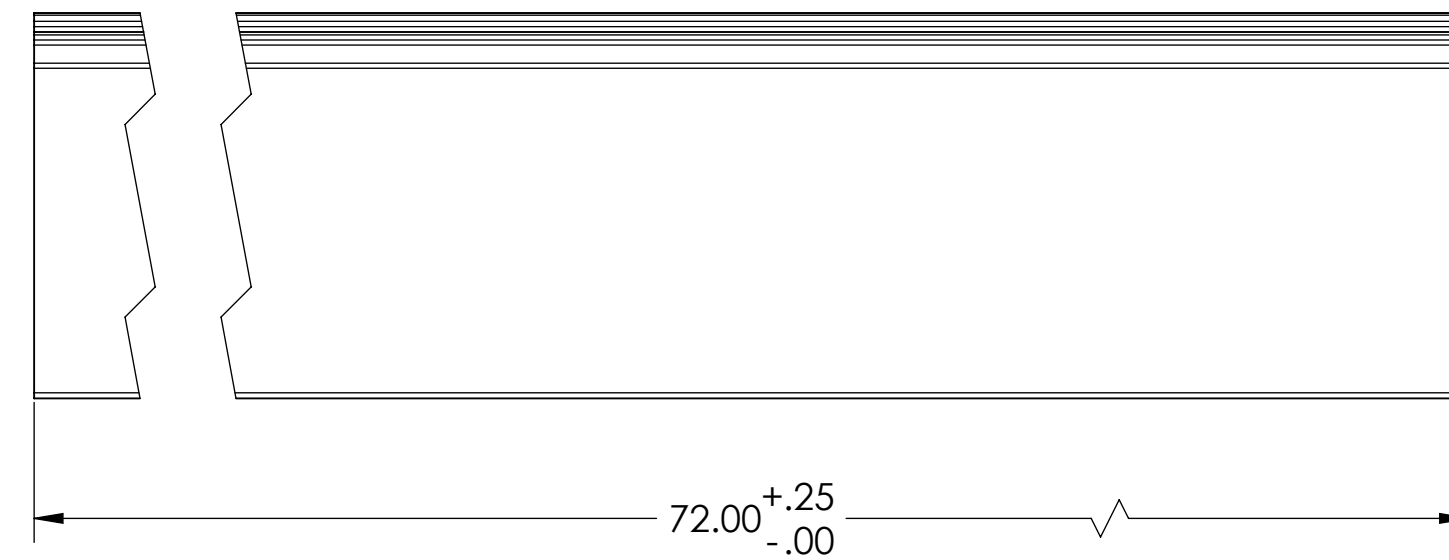
SCALE 1:2



**SLOTTED WALL DUCT  
TYPE "SL1.5X1.5" "SL1.5X2" "SL1.5X3" "SL1.5X4"**



**SOLID WALL DUCT  
TYPE "SD"**



TYPE NUMBER	DESCRIPTION	MOUNTING METHOD	B (SEE NOTE 1)	C	G	H
TC1.5	COVER	-	-	-	-	-
SD1.5X1	SOLID DUCT	SCREW	1.004 +.020/-0.015	.060 ±.005	1.500 +/--.025	-
SD1.5X1.5	"	"	1.506 +.025/-0.020	.070 +.008/-0.005	1.500 +/--.025	-
SD1.5X2	"	"	2.008 +.025/-0.020	.080 ±.005	1.500 +/--.025	-
SD1.5X3	"	"	3.009 +.035/-0.020	.100 +.007/-0.011	1.500 +.029/-0.037	-
SD1.5X4	"	"	4.008 +.045/-0.020	.110 +.008/-0.015	1.500 +/--.031	-
SDA1.5X1	SOLID DUCT W/ADHES.	ADHESIVE TAPE	1.004 +.020/-0.015	.060 ±.005	1.500 +/--.025	-
SDA1.5X1.5	"	"	1.506 +.025/-0.020	.070 +.008/-0.005	1.500 +/--.025	-
SDA1.5X2	"	"	2.008 +.025/-0.020	.080 ±.005	1.500 +/--.025	-
SDA1.5X3	"	"	3.009 +.035/-0.020	.100 +.007/-0.011	1.500 +.029/-0.037	-
SDA1.5X4	"	"	4.008 +.045/-0.020	.110 +.008/-0.015	1.500 +/--.031	-
SL1.5X1	SLOTTED DUCT	SCREW	1.004 +.020/-0.015	.060 ±.005	1.500 +/--.025	.750 ±.010
SL1.5X1.5	"	"	1.506 +.025/-0.020	.070 +.008/-0.005	1.500 +/--.025	1.190 ±.015
SL1.5X2	"	"	2.008 +.025/-0.020	.080 ±.005	1.500 +/--.025	1.620 ±.015
SL1.5X3	"	"	3.009 +.035/-0.020	.100 +.007/-0.011	1.500 +.029/-0.037	2.600 ±.015
SL1.5X4	"	"	4.008 +.045/-0.020	.110 +.008/-0.015	1.500 +/--.031	3.600 ±.015
SLA1.5X1	SLOTTED DUCT W/ADHES.	ADHESIVE TAPE	1.004 +.020/-0.015	.060 ±.005	1.500 +/--.025	.750 ±.010
SLA1.5X1.5	"	"	1.506 +.025/-0.020	.070 +.008/-0.005	1.500 +/--.025	1.190 ±.015
SLA1.5X2	"	"	2.008 +.025/-0.020	.080 ±.005	1.500 +/--.025	1.620 ±.015
SLA1.5X3	"	"	3.009 +.035/-0.020	.100 +.007/-0.011	1.500 +.029/-0.037	2.600 ±.015
SLA1.5X4	"	"	4.008 +.045/-0.020	.110 +.008/-0.015	1.500 +/--.031	3.600 ±.015

50% WIRE FILL CAPACITY													
DUCT SIZE (WxH)	DUCT AREA (Sq. In.)	WIRE O.D.											
		12AWG					14AWG				16AWG		
		12AWG	14AWG	16AWG	18AWG	22AWG	12AWG	14AWG	16AWG	18AWG	22AWG		
1.5X1	1.205	31	28	40	49	60	182	16	13	6			
1.5X1.5	1.850	47	43	61	75	92	279	25	20	9			
1.5X2	2.475	63	58	82	101	123	373	33	27	13			
1.5X3	3.669	94	86	121	150	183	553	50	41	19			
1.5X4	4.881	125	114	161	199	243	736	66	54	25			

Notes  
1) BOTH SIDES ALIKE WITHIN .015



Material

PVC  
AVAILABLE IN WHITE,  
GRAY, BLACK, OR BLUE  
CONSULT FACTORY FOR  
OTHER COLORS  
RoHS COMPLIANT

Units

inches  
Dimension without tolerances  
details to:  
.xxxx = ±.0005  
.xxx = ±.005  
.xx = ±.01  
.x = ±.03  
None = ±.06  
∠ = ±0.5°

The copyright of this drawing is reserved by HellermannTyton. It is issued on condition that it is not reproduced, copied, or disclosed to a third party, either wholly or in part, without the consent of HellermannTyton.

Drawn	KAC	06/17/2009	Article/Type-No	SEE CHART	Scale	1:1
Approved			Title	1.5" WIDE SD, SDA, SL, SLA DUCT WITH COVER	Project Number	PRP07-021
HellermannTyton North America Email: corp@htamericas.com Web: www.hellermann.tyton.com			Drawing-No	DT07-021-152CST	Format	C
			Pre-Production : Phase		Sheet	1/1