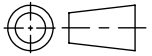
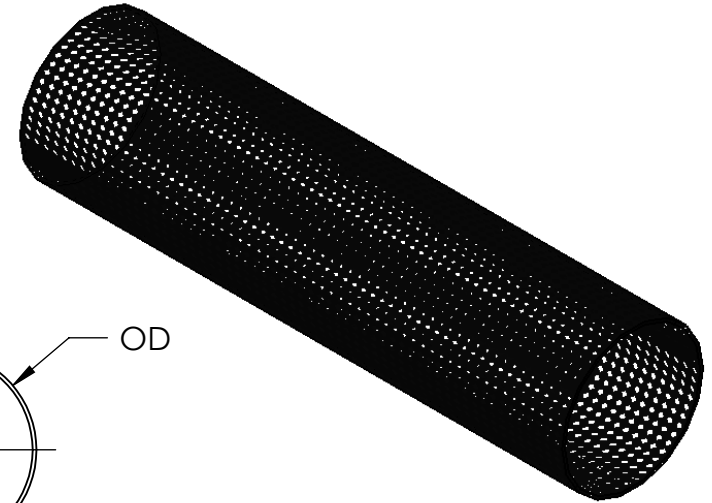
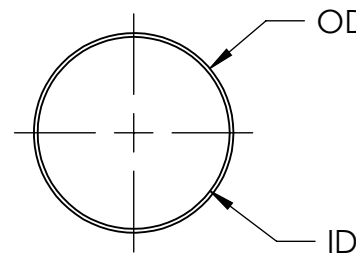
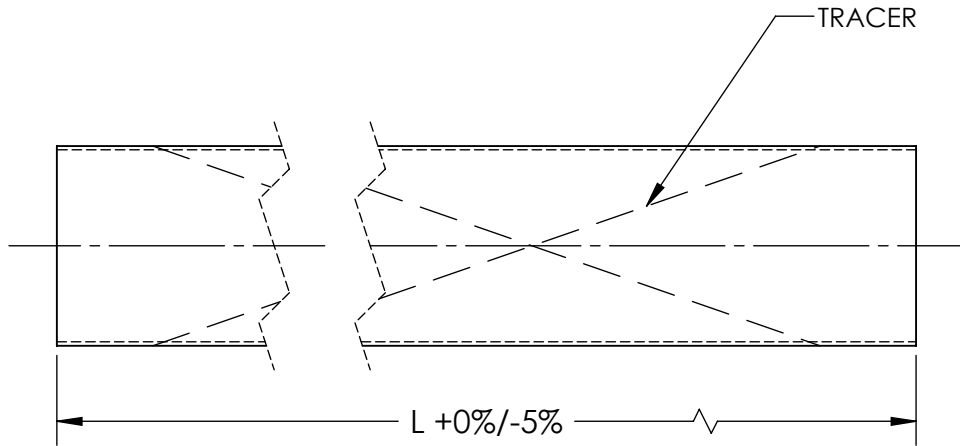


SW2010



Revision level		Revision Record	Changed	Date	Approved	Date
Drawing	Part					
01	-	SEE ECN# 011861	AAC	04/12/2011	KAC	02/07/2012



01

NOMINAL SIZE	TYPE	OD	ID	EXPANSION RANGE (FOR REF ONLY)		L (FT)	BULK L (FT)
				MINIMUM	MAXIMUM		
1/8	BSSCFR18	.165	.125	.125	.25	-	1000
1/4	BSSCFR140	.29	.25	.1563	.4375	100	1000
1/2	BSSCFR120	.54	.50	.25	.75	100	500
3/4	BSSCFR340	.79	.75	.625	1.00	75	250
1	BSSCFR100	1.04	1.00	.75	1.1875	50	250
1-1/4	BSSCFR1140	1.29	1.25	1.00	1.50	50	250
1-1/2	BSSCFR1120	1.54	1.50	1.25	2.00	50	250

Material
PET FLAME RETARDANT

Units inches

Dimension without tolerances details to:

- .xxxx = ±.0005
- .xxx = ±.005
- .xx = ±.01
- .x = ±.03
- None = ±.06
- ∠ = ±0.5°

The copyright of this drawing is reserved by HellermannTyton. It is issued on condition that it is not reproduced, copied, or disclosed to a third party, either wholly or in part, without the consent of HellermannTyton.

Drawn AAC 04/12/2011
 Approved AAC 05/16/2011

HellermannTyton
 North America
 Email: corp@htamericas.com
 Web: www.hellermann.tyton.com

Article/Type-No	SEE CHART	Scale	1:1
Title	PET FLAME RETARDANT + FRAY RESISTANT EXPANDABLE BRAIDED SLEEVING		Project Number PRP11-0337
Drawing-No	11-0337-002-CSU	Production : Phase	Format AH
			Sheet 1/1