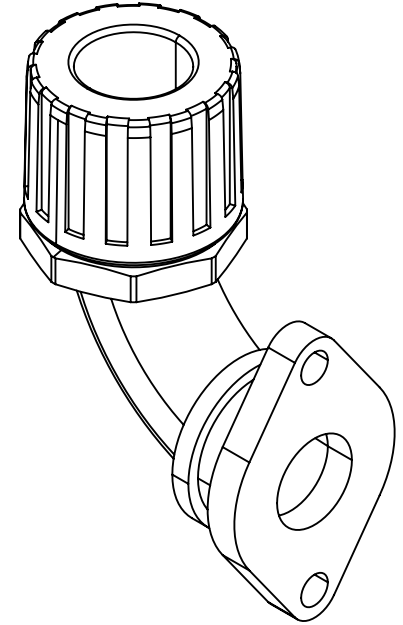
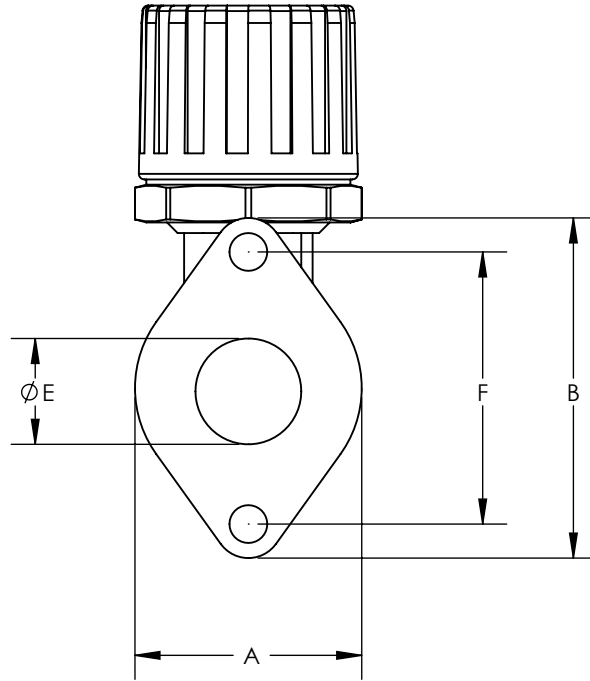
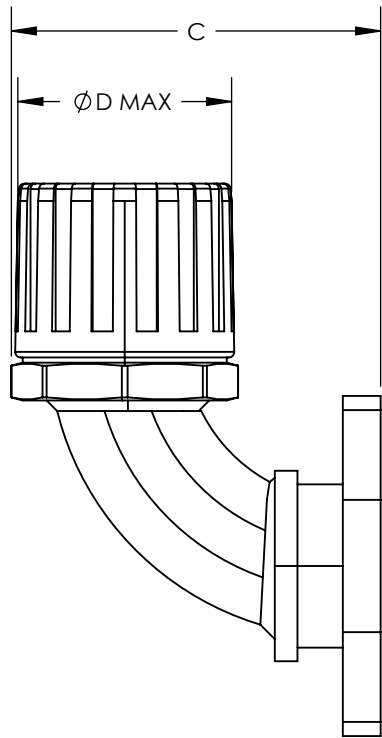


SW2014



Revision level			Revision Record	Changed	Date	Approved	Date
Drawing	State	Part					
00.0	Design Release		SEE ECN# 013599	GRW	10/26/2016	KAC	10/26/2016



Conduit Size			Euro Size (NW)	HellermannTyton Part Number	Manufacturer Reference Number	Style	Dimension															
							A		B		C		D		E		F		G		H	
in.	mm						in.	mm	in.	mm	in.	mm	in.	mm	in.	mm	in.	mm	in.	mm	in.	mm
3/8	16	12	HGL038-90FL	FPAX16-FL-90	A	1.18	30	1.77	45	2.01	51	1.14	29	0.55	14.0	1.42	36	NA	NA	0.21	5.2	
1/2	21	17	HGL050-90FL	FPAX21-FL-90	A	1.18	30	1.77	45	2.09	53	1.34	34	0.55	14.0	1.42	36	NA	NA	0.21	5.2	
3/4	28	23	HGL075-90FL	FPAX28-FL-90	A	1.50	38	2.52	64	2.60	66	1.73	44	0.75	19.0	2.09	53	NA	NA	0.24	6.2	
1.00	34	29	HGL100-90FL	FPAX34-FL-90	B	2.60	66	2.32	59	3.11	79	2.01	51	0.96	24.5	1.42	36	2.13	54	0.24	6.2	
1.25	42	36	HGL125-90FL	FPAX42-FL-90	B	2.60	66	2.32	59	3.94	100	2.48	63	1.54	39.0	1.42	36	2.13	54	0.24	6.2	

Material
PA66

Units: inches
Dimension without tolerances details to:
.xxxx = ±.0005
.xxx = ±.005
.xx = ±.01
.x = ±.03
None = ±.06
∠ = ±0.5°
Dimension Formatted in[mm]

The copyright of this drawing is reserved by HellermannTyton. It is issued on condition that it is not reproduced, copied, or disclosed to a third party, either wholly or in part, without the consent of HellermannTyton.

Drawn	GRW	10/26/2016
Approved	KAC	10/26/2016

HellermannTyton
North America
Email: corp@htamericas.com
Web: www.hellermann.tyton.com

Article/Type-No HGL-90FL SERIES

Title **HELAGUARD 90 DEGREE NYLON SWIVEL FLANGE FITTING, IP68**

Drawing-No PRODUCTION : Phase

15-0842-001-CSU

Scale 1:1

Project Number
PRP 15-0842

Format AH

Sheet 1/1