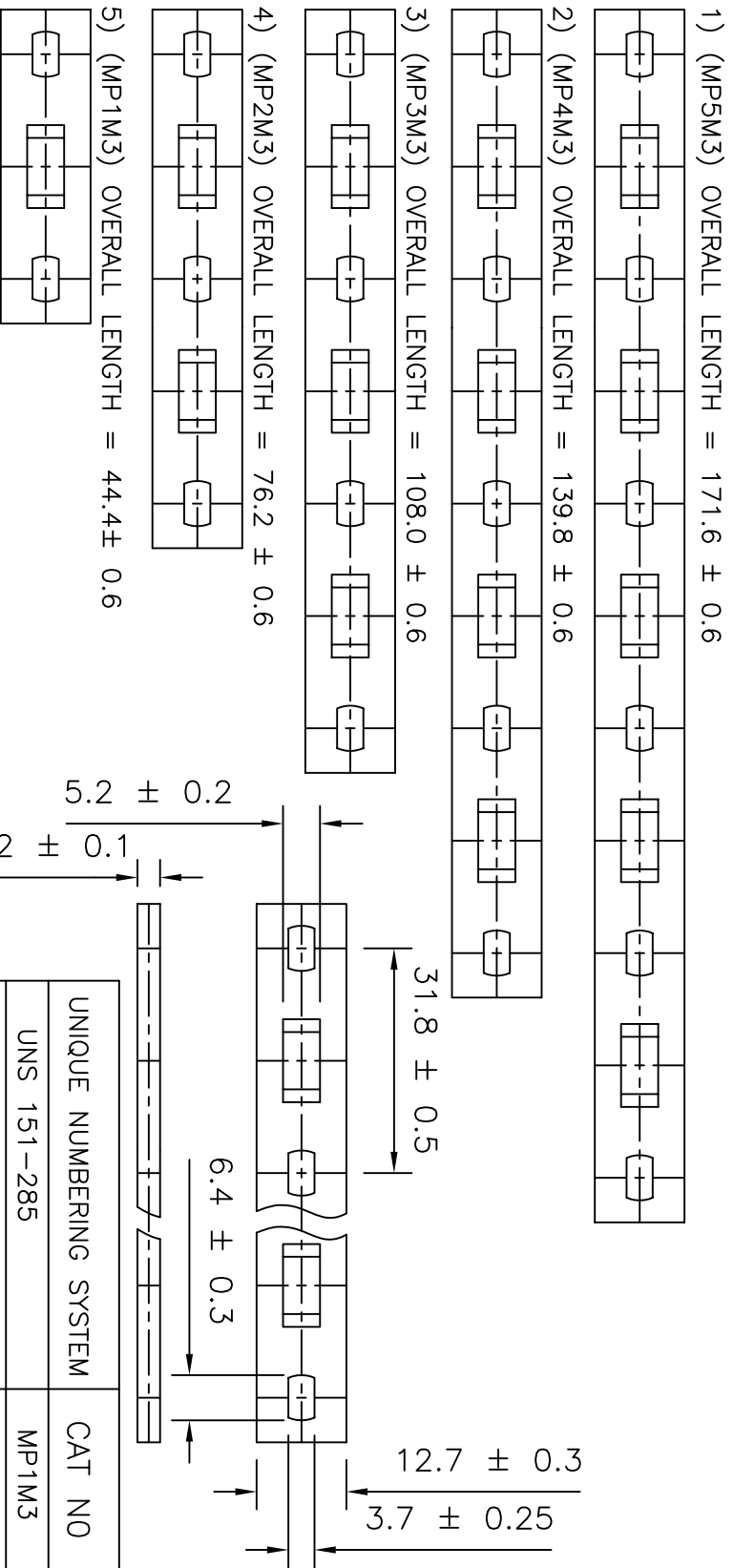


| Revision level | | Revision Record | | Changed | Date | Approved | Date |
|----------------|---------|---|--|---------|----------|-----------|----------|
| Part | Drawing | | | | | | |
| | 01 | UNIQUE NUMBERING SYSTEM COLUMN & UNS NUMBER ADDED TO SHEET. | | A.LOWAX | 20/06/01 | S.BENTICK | 20/06/01 |



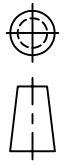
FOR USE WITH M3 SCREWS
AND T50 RANGE OF TIES

| UNIQUE NUMBERING SYSTEM | CAT NO |
|-------------------------|--------|
| UNS 151-285 | MP1M3 |
| UNS 151-287 | MP2M3 |
| UNS 151-289 | MP3M3 |
| UNS 151-291 | MP4M3 |
| UNS 151-293 | MP5M3 |

Material P.A.66
Dimension without tolerances details to:

DIN 16901

ACAD



The copyright of this drawing is reserved

by HELLERMANN TYTON.

It is issued on condition that it is not reproduced, copied or disclosed to a third party, either wholly or in part, without the consent of HELLERMANN TYTON.

Drawn C.HOLDEN 01/02/00
Approved. S.BENTICK 01/02/00

Scale 1:1
Title

HellermannTyton

MP3 SERIES

Network Products Group

Sharston Green Business Park,
Manchester M22 4TY.
Tel: 0161 945 4181
Fax: 0161 947 2228

Drawing-No

CD1114-01

Format

A4

Tolerances
PERFORMANCE
SPECIFICATION

Sheet 1 of 1