

50RS-12 Series Miniature 1/4" Recessed Switch Set



50RS-12
Miniature 1/4" Recessed
Switch Set

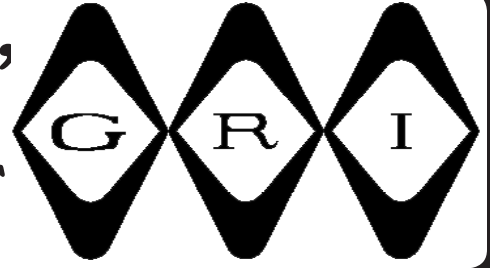
- Lifetime Warranty
- Colors: White, Brown or Gray
- Standard 12" Leads
- Longer Leads, Zip Cord or Jacketed Cable on Request
- UL and ULC Approved
- Available in Open Loop, Closed Loop and SPDT
- Hermetically Sealed
- Ideal for Thin Framed Doors and Windows
- Ideal in Jobs for which a Regular Size Switch is Too Long
- Plated Contacts Resist Sticking or Freezing
- Switches or Magnets are Available Separately
- Standard Gap 1/4"+
- Wide Gap 1/2"+
- Extra Wide Gap 3/4"+

The GRI 50RS Series is a 1/4" diameter switch designed for applications where a miniature recessed switch set is required. Only .562 inches in length, the switch is able to be recessed in places where a standard switch is too large. The 50RS series is also widely used in the manufacture of alarm screens.



50RS-12
Miniature 1/4" Recessed Switch Set

SUPER MINIATURE 1/4" RECESSED SWITCH SET



50RS-12 SERIES



- ◆ Just .562" Long, The 50RS-12 Super Mini Is Ideal For Thin Framed Doors & Windows
 - ◆ Open Loop and S.P.D.T. Configurations Are .810" In Length
 - ◆ Recessed Magnetic Contact
 - ◆ Press To Fit
 - ◆ 12" #22AWG Leads
 - ◆ Longer Leads, Zip Cord or Jacketed Cable Upon Request
 - ◆ Hermetically Sealed
 - ◆ Plated Contacts Resist Sticking or Freezing
 - ◆ Built-in E.O.L. Resistors and Diodes Upon Request
 - ◆ Switches and Magnets Available Separately
 - ◆ Colors: White, Brown, Gray
 - ◆ Lifetime Warranty



50RS-12

PART NUMBERS:

| | Closed Loop | Open Loop | SPDT |
|-----------------------|--------------------|------------------|-------------|
| Standard Gap 1/4" + | 50RS-12 | 60RS-12 | 70RS-12 |
| Wide Gap 1/2" + | 50RS-12WG | 60RS-12WG | 70RS-12WG |
| Extra Wide Gap 3/4" + | 50RS-12XWG | 60RS-12XWG | 70RS-12XWG |

GEORGE RISK INDUSTRIES, INC.
G.R.I. PLAZA
KIMBALL, NE 69145



MADE IN U.S.A.

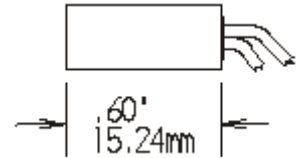
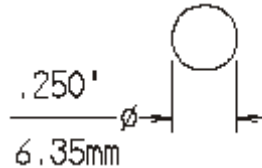
TOLL-FREE 1-800-445-5218
TOLL-FREE 1-800-523-1227
(308) 235-4645
FAX (308) 235-3561
E-MAIL: sales@grisk.com
WEB SITE: www.grisk.com



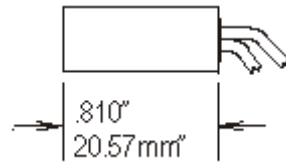
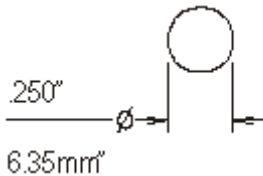
SUPER MINIATURE 1/4" RECESSED SWITCH SET

INSTALLATION APPLICATIONS:

The G.R.I. 50RS series is a 1/4" diameter switch set designed for applications where a miniature recessed is required. Only .562" in length, the switch is able to be recessed in places where a standard switch is too large. The 50RS series is also widely used in the manufacture of alarm screens.



50RS-12



60RS-12/70RS-12

GRI products meet or exceed these minimum general specifications:

| PART NUMBER | LOOP TYPE | ELECTRICAL CONFIG. | REED FORM | MAXIMUM INITIAL CONTACT RESISTANCE (Ω) | MAXIMUM CONTACT RATING (W) | MAXIMUM SWITCHING VOLTAGE (VDC) | MAXIMUM SWITCHING CURRENT (A) |
|-------------|-------------|--------------------|-----------|--|----------------------------|---------------------------------|-------------------------------|
| 50RS-12 | CLOSED | N/O | A | .150 | 10 | 200 | .500 |
| 50RS-12WG | CLOSED | N/O | A | .150 | 10 | 200 | .500 |
| 50RS-12XWG | CLOSED | N/O | A | .150 | 10 | 200 | .500 |
| 60RS-12 | OPEN | N/C | B | .140 | 5 | 175 | .250 |
| 60RS-12WG | OPEN | N/C | B | .140 | 5 | 175 | .250 |
| 60RS-12XWG | OPEN | N/C | B | .140 | 5 | 175 | .250 |
| 70RS-12 | Open/Closed | SPDT | C | .140 | 5 | 175 | .250 |
| 70RS-12WG | Open/Closed | SPDT | C | .140 | 5 | 175 | .250 |
| 70RS-12XWG | Open/Closed | SPDT | C | .140 | 5 | 175 | .250 |

WARRANTY:

Lifetime warranty against workmanship, material and factory defects.

CONTACT YOUR G.R.I. DISTRIBUTOR OR CALL:

GEORGE RISK INDUSTRIES, INC.
G.R.I. PLAZA
KIMBALL, NE 69145



MADE IN U.S.A.

TOLL-FREE 1-800-445-5218
TOLL-FREE 1-800-523-1227
(308) 235-4645
FAX (308) 235-3561
E-MAIL: sales@grisk.com
WEB SITE: www.grisk.com

N SERIES SWITCH SETS



- ◆ Rare Earth Magnets Paired With Press To Fit Contacts
- ◆ Solves Problem Installs ◆ Time Saving Installations
- ◆ Nickel Plated To Protect From Chipping And Corrosion
- ◆ Use MM-600 With A Standard Gap Switch To Attain Wide Gap



N2120-12



N2020-TWG



N20RS-12

G.R.I.'s "Mighty Mag" contacts will assist in resolving the installer's problem of drilling into the new thinner vinyl windows. These rare earth magnets are less than 1/8" high and install fast and easily without worry about damage to the window itself. (Please see the Mighty Mag page in the accessories section of G.R.I.'s full line catalog for dimensions).

G.R.I.'s Mighty Magnets make use of a rare earth alloy which allows the size of the magnet to be significantly reduced while still retaining or improving the gap involved. These rare earth magnets can be mounted with the stainless steel mounting screws provided (MM-400 and MM-600) and/or double stick tape included in the bag, or may be glued into place.

Note: G.R.I. suggests using a silicone or clear nail polish sealant on the surface of installed rare earth magnets to prevent corrosion.

PART NUMBERS:

| | | | |
|------------|------------|------------|------------|
| N120T-12 | N2020-TWG | N2120-12WG | N50RF-12WG |
| N120T-12WG | N20RS-12 | N4473 | N50RS-12 |
| N150-12 | N20RS-12WG | N4473WG | N50RS-12WG |
| N150-12WG | N20RS-T | N50R-12 | N5065 |
| N2020-12 | N20RS-TWG | N50R-12WG | |
| N2020-12WG | N2120-12 | N50RF-12 | |

Other possible combinations including Open Loop and S.P.D.T. available or as Switch Only and Magnet Only.

GEORGE RISK INDUSTRIES, INC.
G.R.I. PLAZA
KIMBALL, NE 69145



TOLL-FREE 1-800-445-5218
TOLL-FREE 1-800-523-1227
(308) 235-4645
FAX (308) 235-3561
E-MAIL: sales@grisk.com
WEB SITE: www.grisk.com

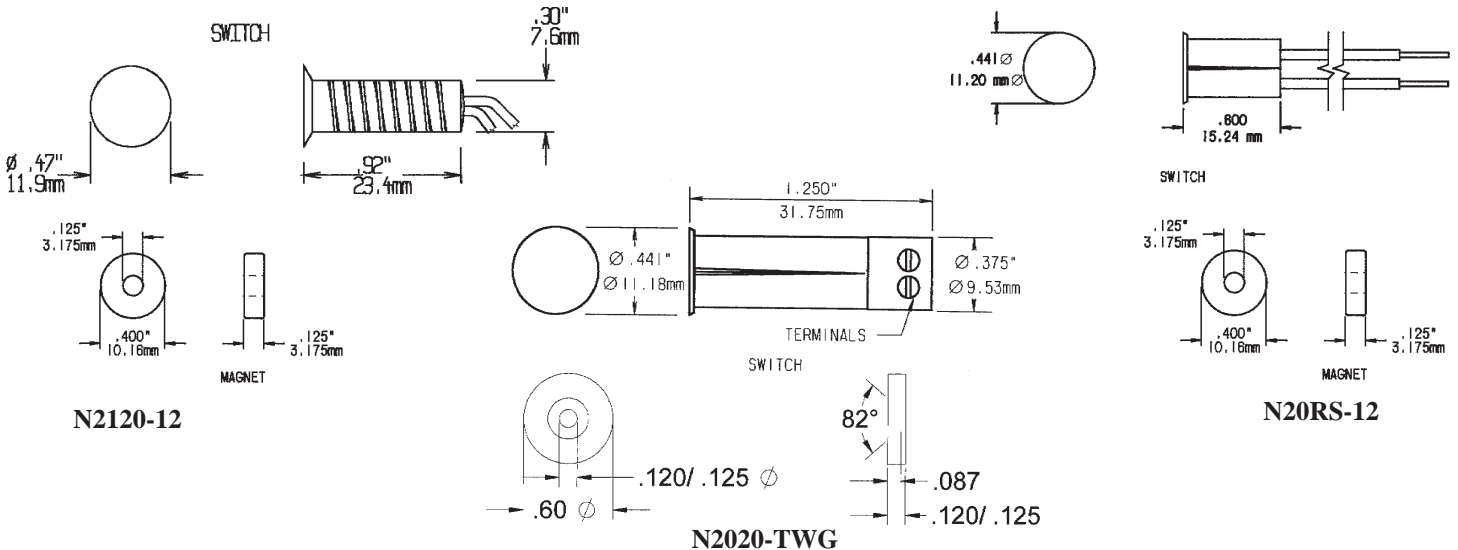


SWITCHES WITH RARE EARTH MAGNETS

Pair Switch with Magnet to get the following gaps:

| Switch | Description | MM-25 MMR-25 | MM-375 | MM-10 | MM-400 | MM-600 | MMF-875 |
|----------|--------------------------------|-----------------|--------------|----------|------------|--------------|---------|
| S120T-12 | 3/4" Press Fit/Leads | 3/8"+ | 1"+ | Up to 1" | Up to 3/4" | 1"+ | 3/4"+ |
| S150-12 | 1/2" Press Fit/Leads | 1/2"+ | 1 1/2"+ | Up to 1" | 3/4"+ | 1 1/2"+ | 1"+ |
| S2020-12 | 3/8" Press Fit/Leads | Up to 1/2" | 1"+ | Up to 1" | 1"+ | 1"+ | 1" |
| S2020-T | 3/8" Press Fit/Terminals | 3/8"+ | 1"+ | Up to 1" | Up to 3/4" | 1"+ | 1/2"+ |
| S20RS-12 | 3/8" Short Press Fit/Leads | Up to 3/8" | 1"+ | 3/4"+ | Up to 3/4" | Up to 1" | 3/4" |
| S20RS-T | 3/8" Short Press Fit/Terminals | 3/8"+ | 1"+ | 3/4"+ | Up to 3/4" | Up to 1" | 3/4" |
| S2120-12 | 3/8" Ribbed Press Fit/Leads | 5/8"+ | 1"+ | Up to 1" | Up to 3/4" | 1"+ | 3/4"+ |
| S4473 | 3/4" Press Fit/Terminals | Up to 1/2" | 1 1/4"+ | Up to 1" | Up to 3/4" | 1"+ | 3/4"+ |
| S50R-12 | 1/4" Press Fit/Leads | Up to 1/2" | Up to 1 1/2" | 1"+ | 3/4"+ | Up to 1 1/4" | 3/4"+ |
| S50RF-12 | 1/4" Press Fit/Flanged/Leads | Up to 1/2" | Up to 1 1/2" | 1"+ | Up to 3/4" | Up to 1 1/4" | 1" |
| S50RS-12 | 1/4" Short Press Fit/Leads | Up to 3/8" | 1"+ | 3/4"+ | Up to 1/2" | Up to 1 1/4" | 3/4" |
| S5065 | 3/8" Press Fit/Leads | 1/2"+ | 1"+ | 1"+ | Up to 1" | Up to 1 1/4" | 1/2"+ |

Magnet orientation will affect operation of switch. Please confirm operation prior to installation.



WARRANTY:

Lifetime warranty against workmanship, material and factory defects.

CONTACT YOUR G.R.I. DISTRIBUTOR OR CALL:

GEORGE RISK INDUSTRIES, INC.
G.R.I. PLAZA
KIMBALL, NE 69145



MADE IN U.S.A.

TOLL-FREE 1-800-445-5218
TOLL-FREE 1-800-523-1227
(308) 235-4645
FAX (308) 235-3561
E-MAIL: sales@grisk.com
WEB SITE: www.grisk.com