

# Weatherproof appliances



## Description

Designed for life safety, performance and reliability, Eaton's Wheelock cost-effective weatherproof notification appliances include:

### Weatherproof Appliances

	Series
Strobes	RSSWP
Horn strobes	ASWP
Horn	AH-24WP, AH-12WP
Multitone horn strobes	MTWP
Multitone horns	MT
Speaker strobes	ET70WP
Speakers	ET-1010

All strobe models are UL dual listed—meeting both UL1638 and UL1971 requirements. As dual listed appliances, these weatherproof strobes, horn strobes and speaker strobes are listed for outdoor applications under UL 1638 as well as under UL 1971, the Standard for Safety Signaling Devices for Hearing Impaired. With an extended temperature range of -31°F to 150°F (-35°C to 66°C), Wheelock weatherproof appliances meet or exceed UL outdoor test requirements for rain, humidity and corrosion resistance while providing multiple strobe intensity options, including the highest strobe ratings available for area coverage per NFPA 72 strobe spacing tables (up to 185 candela for wall mounting and 177 candela for ceiling mounting).

To enable weatherproof mounting, Eaton provides the industry's widest choice of mounting options for surface or unique semi-flush installation. Models are available for surface mounting to Wheelock weatherproof backboxes on walls or ceilings. The optional WP-KIT allows the weatherproof backboxes (IOB, WPBB or WPSBB) to be mounted to a recessed electrical box for concealed conduit installation. For semi-flush installation, the WPA\* and WFPA\* kits allow a customer to mount the weatherproof appliances to a recessed electrical box without the need for an external weatherproof backbox. See Table 10 on page three of this document for a summarization of these mounting options and the required accessories.

All models may be synchronized using the Wheelock DSM Sync Modules, Wheelock Power Supplies or other manufacturers panels incorporating the Wheelock Patented Sync Protocol. The horn output of horn strobes can be independently controlled on 2-wire circuits using the Wheelock patented sync protocol. MTWP horn strobe models are 4-wire appliances; the strobes can be synchronized while the audible can be connected to a coded fire alarm system or can be set to produce any of eight selectable tones.



Powering Business Worldwide

### Features & benefits

- Weatherproof with extended temperature range of -40°F to 150°F (-40°C to 66°C)\*
- Dual Listed strobe models (UL 1638 and UL 1971)
- Industry’s highest strobe candela options
- Synchronize using the Wheelock Sync Modules or panels with built-in Wheelock Patented Sync Protocol
- Models with field selectable tone, dBA and candela settings
- Wall or ceiling mounting options
- Surface or semi-flush mounting
- IN/OUT wiring termination accepting two #12-18 AWG wires at each terminal

**Note:** All CAUTIONS and WARNINGS are identified by the symbol ▲. All warnings are printed in bold capital letters.

### ▲ WARNING

**PLEASE READ THESE SPECIFICATIONS AND ASSOCIATED INSTALLATION INSTRUCTIONS CAREFULLY BEFORE USING, SPECIFYING OR APPLYING THIS PRODUCT. FAILURE TO COMPLY WITH ANY OF THESE INSTRUCTIONS, CAUTIONS OR WARNINGS COULD RESULT IN IMPROPER APPLICATION, INSTALLATION AND/OR OPERATION OF THESE PRODUCTS IN AN EMERGENCY SITUATION, WHICH COULD RESULT IN PROPERTY DAMAGE, AND SERIOUS INJURY OR DEATH TO YOU AND/OR OTHERS.**

### Approvals & compliances

- Approvals include: UL Standards 1971, 1638, 464 and 1480; California State Fire Marshal (CSFM); New York City (MEA); Factory Mutual (FM); Chicago (BFP) and ULC (see agency approvals by model number on pages 4 and 5 of this document)
  - The series RSSWP, ASWP, AH-24WP, MTWP-2475W, and MT-12/24 have UL/ULC approval down to -40°F. The ET-1010 and ET70WP have UL approval down to -40°F. The AH-12WP has UL approval down to -31°F.
- Compliance with the following requirements: NFPA; UFC; ANSI 117.1; OSHA Part 29, 1910.165; AD

### General notes

- Strobes are designed to flash at 1 flash per second minimum over their UL Listed Regulated Voltage Range.
- All candela ratings represent minimum effective Strobe intensity based on UL Standards 1971 and 1638 as indicated in candela ratings table.
- Models are available in red or white. Contact Customer Service for order code and delivery.

### Drawings

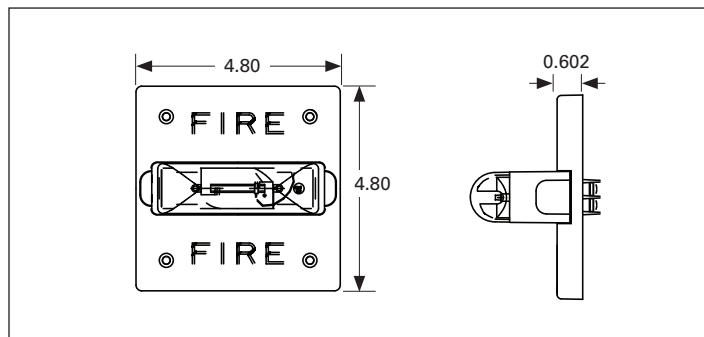


Figure 1. RSSWP front and side views

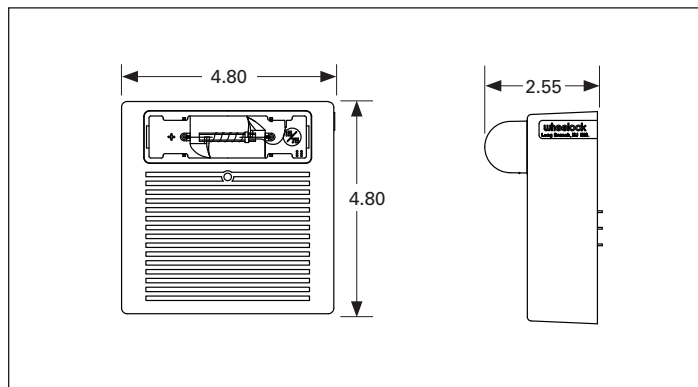


Figure 2. ASWP front and side views

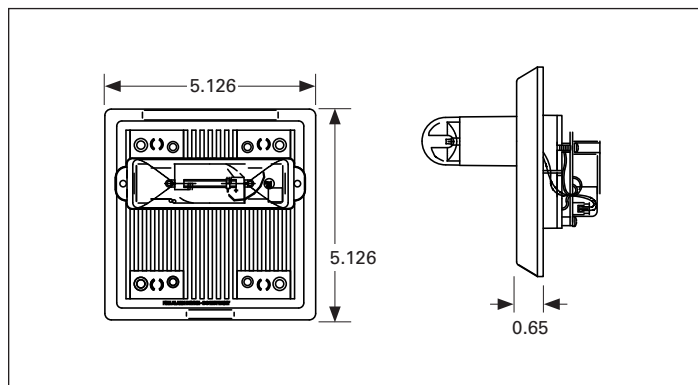


Figure 3. MTWP front and side views

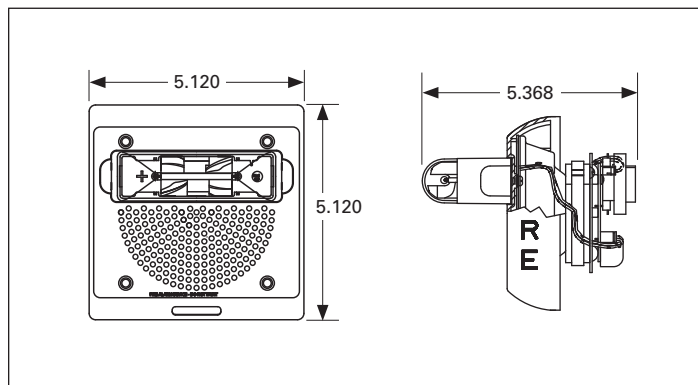


Figure 4. ET70WP front and side views

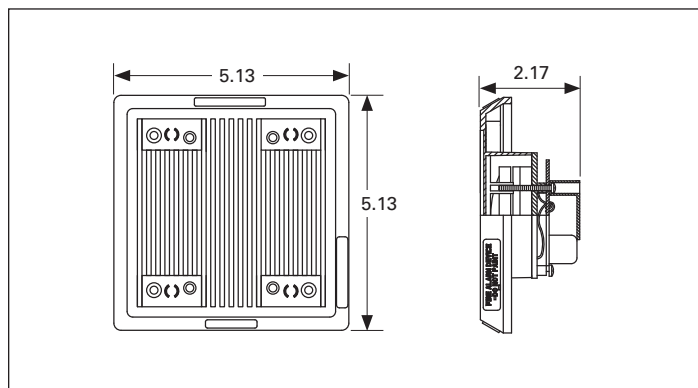


Figure 5. MT front and side views

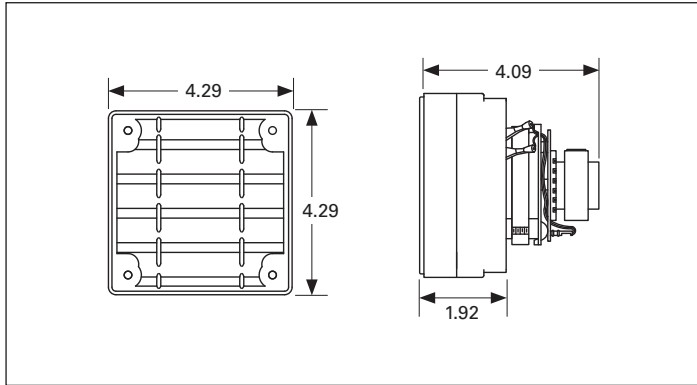


Figure 6. ET-1010 front and side views

Table 1. Maximum UL current for AH models

	UL Max Current for AH	
	24 VDC	12 VDC
High (99) dBA	0.080	0.192
Med (95) dBA	0.043	0.108
Low (90) dBA	0.021	0.058

Table 2. dBA ratings for ET-1010 and ET70WP models

Model	UL Reverberant dBA @ 10 ft.						
	Watts						
	1/8	1/4	1/2	1	2	4	8
ET-1010	77	80	83	86	87	92	94
ET70WP	78	81	84	87	90	93	95

Table 3. Maximum UL current (audible)

dBA	MTWP/MT 24 VDC		MT 12 VDC	
	HI	STD	HI	STD
Horn	0.108	0.044	0.177	0.034
Bell	0.053	0.024	0.095	0.020
March Time	0.104	0.038	0.142	0.034
Code 3 Horn	0.091	0.035	0.142	0.034
Code 3 Tone	0.075	0.035	0.105	0.021
Slow Whoop	0.098	0.037	0.142	0.035
Siren	0.104	0.036	0.152	0.030
Hi/Lo	0.057	0.025	0.114	0.026





Table 4. Candela ratings

Series	UL 1971	UL 1638 @ 77°F	UL 1638 @ -40°F	RSS, ET70WP and MTWP UL Max Current (strobe only)	ASWP		
					High	Med	Low
2475W	30 ①	180	115	0.138	0.168	0.155	0.150
2475C	15	180	115	0.138	0.168	0.155	0.150
MCWH	135	135	56	0.300	0.355	0.340	0.335
	185	185	77	0.420	0.480	0.465	0.460
MCCH	115	115	47	0.300	0.355	0.340	0.335
	177	177	73	0.420	0.480	0.465	0.460
24185	185	185	77	0.420			
24177	177	177	73	0.420			

① Wall mount rating only





## Wall mount models

Table 5. Specification and ordering information

Model Number	Finish	Order Code	Agency Approvals					
			UL	MEA	CSFM	FM	BFP	
<b>Strobe</b>								
RSSWP-2475W-FR		Red	9013	X	X	X	X	-
RSSWP-2475W-FW		White	3034	X	X	X	X	-
RSSWP-24MCWH-FR		Red	5161	X	-	X	-	-
RSSWP-24MCWH-FW		White	5165	X	-	X	-	-
<b>Audible strobe</b>								
ASWP-2475W-FR		Red	9012	X	X	X	X	X
ASWP-24MCWH-FR		Red	5137	X	-	X	-	-
ASWP-24MCWH-FW		White	5140	X	-	X	-	-
<b>Multitone strobe</b>								
MTWP-2474W-FR		Red	8420	X	X	X	X	-
MTWP-2475W-FW		White	3112	X	X	X	X	-
MTWP-24MCWH-FR		Red	5132	X	-	X	-	-
MTWP-24MCWH-FW		White	5134	X	-	X	-	-
<b>Speaker strobe</b>								
ET70WP-2475W-FR		Red	9077	X	-	X	X	-
ET70WP-2475W-FW		White	3179	X	-	X	X	-
ET70WP-24185W-FR		Red	4885	X	-	X	X	-
ET70WP-24185W-FW		White	4891	X	-	X	X	-

## Ceiling mount models

Table 6. Specification and ordering information

Model Number	Finish	Order Code	Agency Approvals					
			UL	MEA	CSFM	FM	BFP	
<b>Strobe</b>								
RSSWP-2475C-FR		Red	4338	X	X	X	X	-
RSSWP-2575C-FW		White	4446	X	X	X	X	-
RSSWP-24MCCH-FR		Red	5167	X	-	X	-	-
RSSWP-24MCCH-FW		White	5187	X	-	X	-	-
<b>Audible strobe</b>								
ASWP-2475C-FR		Red	4251	X	X	X	X	X
ASWP-2475C-FW		White	4502	X	X	X	X	X
ASWP-24MCCH-FR		Red	5149	X	-	X	-	-
ASWP-24MCCH-FW		White	5157	X	-	X	-	-
<b>Multitone strobe</b>								
MTWP-2474C-FR		Red	4457	X	X	X	X	-
MTWP-2475C-FW		White	4458	X	X	X	X	-
MTWP-24MCCH-FR		Red	5102	X	-	X	-	-
MTWP-24MCCH-FW		White	5122	X	-	X	-	-
<b>Speaker strobe</b>								
ET70WP-2475C-FR		Red	4452	X	-	X	X	-
ET70WP-2475C-FW		White	4454	X	-	X	X	-
ET70WP-24177C-FR		Red	4845	X	-	X	X	-
ET70WP-24177C-FW		White	4859	X	-	X	X	-

## Architects and engineers specifications

### General

Weatherproof notification appliances shall be UL listed for outdoor use. Weatherproof Strobe appliances shall be listed under UL Standard 1638 (Standard for Visual Signaling Appliances) for Indoor/Outdoor use and UL Standard 1971 (Standard for Safety Signaling Devices for Hearing Impaired). The appliances shall be available for optional wall mounting or ceiling mounting to weatherproof backboxes using either exposed conduit, concealed conduit, or semi-flush mounting to a recessed electrical box in walls or ceilings using Wheelock mounting accessories.

### Weatherproof Strobes

Weatherproof Strobe appliances shall produce a minimum flash rate of 60 flashes per minute over the UL Regulated Voltage Range of 16 to 33 VDC and shall incorporate a Xenon flashtube. The weatherproof strobes shall be available with UL 1971 candela ratings up to 185 cd for wall mounting and 177 cd for ceiling mounting. UL 1638 candela ratings up to 180 cd at 77°F shall be available. The strobes shall operate over an extended temperature range of -40°F to 150°F (-40°C to 66°C) and be listed for maximum humidity of 95% RH. Strobe inputs shall be polarized for compatibility with standard reverse polarity supervision of circuit wiring by a Fire Alarm Control Panel (FACP).

**Weatherproof Audibles and Audible/Strobe Combinations** Weatherproof horns and multitone audibles shall be listed for Indoor/Outdoor use under UL Standard 464. The horns shall be able to produce a continuous output or a temporal code-3 output that can be synchronized. The horns shall have at least 3 sound level settings. Horn/Strobe combinations shall be able to be synchronized on a single NAC.

Multitone audibles shall be able to produce 8 distinct tones selectable by dip switch and shall have at least 2 sound level settings. Multitone Audible/Strobe combinations shall have independent inputs for the audible and strobe. The strobes shall be able to be synchronized. The audibles shall be able to be coded when operated on a separate NAC.

### Weatherproof Speakers and Speaker/Strobes

Weatherproof speakers and speaker/strobes shall be listed for Indoor/Outdoor use under UL Standard 1480. All speakers shall provide field selectable taps for 1/8W to 8W operation for either 25 VRMS or 70 VRMS audio systems and shall incorporate a sealed back construction for extra protection and improved audibility. Speakers without strobes shall be Wheelock Series ET-1010. They shall be listed to produce up to 94 dBA and shall incorporate a vandal resistant grille design. Speaker with strobes shall be Wheelock Series ET70WP. They shall be available for surface or semi-flush mounting to walls or ceilings and shall be listed to produce up to 93 dBA.

### Synchronization Modules

When synchronization of strobes or temporal code-3 audibles is required, the appliances shall be compatible with the Wheelock Series DSM Sync Modules, Wheelock Power Supplies or other manufacturers panels with built-in Wheelock Patented Sync Protocol. The strobes and audibles shall not drift out of synchronization at any time during operation.

Series ASWP audibles and strobes shall be able to be synchronized on a 2-wire circuit with the ability to silence the audible if required. The strobes on Series MT multitone audible/strobe appliances shall be able to be synchronized and shall be able to be operated on a separate circuit from the audibles while the audible circuit is connected to a coded or continuous NAC.

### Weatherproof Mounting Accessories

Weatherproof mounting options shall include surface mounting or semi-flush mounting to walls or ceilings. Surface mounted appliances shall mount to Wheelock IOB, WBB, WPBB or WPSBB weatherproof backboxes using either exposed conduit or concealed conduit. For concealed conduit the weatherproof backbox shall be mounted to a recessed electrical box with Wheelock's WP-KIT to provide a weatherproof seal for the electrical box. Semi-flush mounted appliances shall mount to a recessed electrical box using Wheelock WFP or WFP-A flush plates to provide a weatherproof seal between the electrical box and the appliance.



WE ENCOURAGE AND SUPPORT NICET CERTIFICATION  
3-YEAR WARRANTY

**Eaton**  
1000 Eaton Boulevard  
Cleveland, OH 44122  
United States  
Eaton.com

**Eaton**  
Life safety & mass notification solutions  
273 Branchport Ave.  
Long Branch, NJ 07740  
www.eaton.com/massnotification

© 2016 Eaton  
All Rights Reserved  
Printed in USA  
Publication No. TD450112EN  
September 2016

Eaton is a registered trademark.

All other trademarks are property of their respective owners.