



# SD9364-EH



# SD9364-EHL

## Speed Dome Network Camera



1080p 60 fps · 30x Zoom · 250M/150M IR · NEMA 4X · IP66 · Defog · -50°C ~ 55°C · EIS · GbE Port

The SD9364-EH/EHL is the latest professional speed dome camera from VIVOTEK, specifically designed to enhance low light surveillance in large coverage areas. Equipped with 250M/150MIR illuminators and a 30x optical zoom lens, the SD9364-EH/EHL provides a superb low light image in the most challenging situations. The SD9364-EH/EHL also adopts VIVOTEK's latest IR technology, VAIR (Vari-Angle IR). VIVOTEK's VAIR provides smooth vari-angle adjustment of the IR illuminators, allowing broad coverage FOV and highly uniform IR intensity while avoiding hot-spots traditionally associated with IR illumination.

The SD9364-EH/EHL is the PTZ surveillance camera with IR Illumination to utilize H.265 compression technology. When combined with VIVOTEK's Smart Stream II technology, users can obtain bandwidth savings of up to 80%\* compared to traditional H.264. By combining 1080p full HD resolution with H.265, IR illuminators, VAIR, WDR, and 30x optical zoom, the SD9364-EH/EHL is able to capture fine details at top-notch quality, 24 hours

a day, 7 days a week. VIVOTEK further strengthened the camera performance with an IP66- and NEMA 4X-rated housing to protect the camera against rain, dust, and corrosion. The SD9364-EH/EHL has a wide operating temperature range from -50°C to 55°C, ensuring continuous operation under the most extreme weather conditions and hazardous environments. This makes the SD9364-EH/EHL ideally suited to monitor wide open spaces such as ports, highways, cities, and parking lots where high-level precision is required.

As with all VIVOTEK true day/night cameras, the SD9364-EH/EHL features a removable IR-cut filter, maintaining clear images 24 hours a day. Audio detection is included by recognizing changes in ambient noise. The SD9364-EH/EHL also includes a SD/SDHC/SDXC card slot and supports up to 60 fps in 1080P full HD. For the most demanding outdoor surveillance application, there is nothing that compares to the VIVOTEK's SD9364-EH/EHL.

\* Depending on scene.

## Key Features

- Real-time H.265, H.264 and MJPEG Compression (Triple Codec)
- 1080p HD CMOS Sensor
- 60 fps @ 1080p Full HD
- 30x Zoom Lens, up to 250M IR
- VAIR (Vari-Angle IR)
- Removable IR-cut Filter for Day & Night Function
- 360° Continuous Pan and 220° Tilt
- WDR Pro for Unparalleled Visibility in High Contrast Environments
- Weather-proof IP66, Vandal-proof IK10 and NEMA 4X-rated Housing
- -50°C ~ 55°C Wide Temperature Range for Extreme Weather Conditions
- Audio Detection for Instant Alerts
- Auto Tracking for Moving Objects
- Smart Stream II to Optimize Bandwidth Efficiency
- 3D Privacy Masks for Additional Protection
- Built-in SD/SDHC/SDXC Card Slot for On-board Storage
- Defog
- EIS



Without VAIR

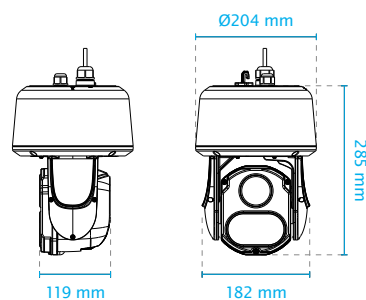


With VAIR

## Technical Specifications

Model	SD9364-EH: 30x, 250M IR SD9364-EHL: 30x, 150M IR
<b>System Information</b>	
CPU	Multimedia SoC (System-on-Chip)
Flash	128MB
RAM	512MB
<b>Camera Features</b>	
Image Sensor	SD9364-EH: 1/2.8" Progressive CMOS SD9364-EHL: 1/3" Progressive CMOS
Maximum Resolution	1920x1080
Lens Type	30x Optical Zoom, Auto Focus
Focal Length	f = 4.3 ~ 129 mm (30x zoom)
Aperture	F1.6 ~ F4.7
Auto-iris	DC-iris
Field of View	SD9364-EH: 2.3° ~ 64° (Horizontal) 1.3° ~ 36° (Vertical) 2.6° ~ 73° (Diagonal) SD9364-EHL: 2° ~ 59° (Horizontal) 2° ~ 45° (Vertical) 3° ~ 71° (Diagonal)
Shutter Time	SD9364-EH: 1 sec to 1/10,000 sec SD9364-EHL: 1/8 sec to 1/30,000 sec
WDR Technology	WDR Pro
Day/Night	Removable IR-cut filter for day & night function
Minimum Illumination	SD9364-EH: 0.07 Lux @ F1.6 (Color), 0 Lux @ F1.6 (B/W) SD9364-EHL: 0.42 Lux @ F1.6 (Color), 0.001 Lux @ F1.6 (B/W)
Pan Speed	0.1° ~ 300° / sec
Pan Range	360° endless
Tilt Speed	0.1° ~ 300° / sec
Tilt Range	220° (-110° ~ +110°)
Preset Locations	256 preset locations 128 presets per tour
Pan/Tilt/Zoom Functionalities	SD9364-EH: 48x digital zoom (4x on IE plug-in, 12xbuilt-in), Auto pan mode, Auto patrol mode SD9364-EHL: 128x digital zoom (4x on IE plug-in, 32xbuilt-in), Auto pan mode, Auto patrol mode
IR Illuminators	SD9364-EH: 250 m SD9364-EHL: 150 m
On-board Storage	Slot type: SD/SDHC/SDXC card slot Seamless Recording
<b>Video</b>	
Compression	H265, H264, MJPEG
Maximum Frame Rate	H.265 & H.264: 60 fps @ 1920x1080 MJPEG: 30 fps @ 1920x1080
Maximum Streams	4 simultaneous streams
S/N Ratio	SD9364-EH: 62 dB SD9364-EHL: 54 dB
Dynamic Range	SD9364-EH: 120 dB SD9364-EHL: 110 dB
Video Streaming	Adjustable resolution, quality and bitrate Smart Stream II
Image Settings	Adjustable image size, quality and bit rate; Time stamp, text overlay, flip & mirror; Configurable brightness, contrast, saturation, sharpness, white balance, exposure control, gain, backlight compensation, privacy masks (Up to 24); Scheduled profile settings, Defog, 3DNR, EIS, HLC
<b>Audio</b>	
Audio Capability	Two-way audio (full duplex)
Compression	G.711, G.726
Interface	External microphone input External line output
<b>Network</b>	
Users	Live viewing for up to 10 clients

Protocols	IPv4, IPv6, TCP/IP, HTTP, HTTPS, UPnP, RTPSP/ RTP/RTCP, IGMP, SMTP, FTP, DHCP, NTP, DNS, DDNS, PPPoE, CoS, QoS, SNMP, 802.1X, UDP, ICMP, ARP, SSL, TLS, NTCIP
Interface	10 Base-T/100 Base-TX/1000 Base-T Ethernet (RJ-45) *It is highly recommended to use standard CAT5e & CAT6 cables which are compliant with the 3P/ETL standard.
ONVIF	Supported, specification available at <a href="http://www.onvif.org">www.onvif.org</a>
<b>Intelligent Video</b>	
Video Motion Detection	Five-window video motion detection
Auto-Tracking	Auto-tracking on moving object
<b>Alarm and Event</b>	
Alarm Triggers	Motion detection, manual trigger, digital input, periodical trigger, system boot, recording notification, audio detection
Alarm Events	Event notification using digital output, HTTP, SMTP, FTP, NAS server and SD card File upload via HTTP, SMTP, FTP, NAS server and SD card
<b>General</b>	
Connectors	RJ-45 cable connector for Network 10/100/1000Mbps PoE connection Audio input Audio output DC 48V power input Digital input*4 Digital output*2 RS-485 for PTZ control (PelcoD protocol, Baud rate 2400)
LED Indicator	System power and status indicator
Power Input	95W PoH/PoE DC 48V
Power Consumption	Max. 81.8 W (Heater on) Max. 28.5 W (Heater off)
Dimensions	Ø 204 x 285 mm
Weight	Net: 6,030 g
Casing	IP66, IK10, NEMA 4X
Safety Certifications	CE, FCC Class A, VCCI, C-tick, NEMA 4X, UL
Operating Temperature	Starting Temperature: -40°C ~ 55°C (-40°F ~ 131°F) Working Temperature: -50°C ~ 55°C (-58°F ~ 131°F)
Humidity	90%
Warranty	36 months
<b>System Requirements</b>	
Operating System	Microsoft Windows 8/7/Vista/XP/2000
Web Browser	Mozilla Firefox 7~43 (streaming only) Internet Explorer 7/8/9/10/11
Other Players	VLC: 1.1.11 or above Quicktime: 7 or above
<b>Included Accessories</b>	
CD	User's manual, quick installation guide, Installation Wizard 2, VAST
Others	Wall mount bracket, screws, waterproof connectors, terminal blocks, quick installation guide, warranty card, alignment sticker, ground wire, T25 stardriver, software CD, desiccant bags, AO-003 I/O cable
<b>Dimensions</b>	



# Compatible Accessories

## Mounting Kits



**AM-529**  
Mounting Adapter

## Others



**AJ-001**  
USB Joystick



**AJ-002**  
USB Joystick

## Cabinet



**AT-CAS-001**  
Cabinet for Speed dome, IP66, IK10



**AT-CAB-002**  
Cabinet for HLG Power Supply



**AT-SUN-002**  
Sunshield



**AT-SWH-000**  
Power Safety Kit



## PoE Kit/Power Adapter

### 48VDC



**AW-IHS-0200/0201/0203**  
Industrial Fiber Media Converter



**HLG-120H-48**  
Industrial 48VDC/120W Power Supply, IP67



**HLG-120H-48**  
Industrial 48VDC/120W Power Supply, IP67

### 95W PoH/PoE



**AW-IHH-0100**  
Industrial 1xGE 95W PoH/PoE Injector



**HLG-120H-54**  
Industrial 54VDC/120W Power Supply, IP67



**AW-IHH-0200**  
Industrial 1xGE 95W PoH/PoE + 1x SFP GE Switch



**HLG-120H-54**  
Industrial 54VDC/120W Power Supply, IP67



**AP-GIC-010A-095**  
95W PoH/PoE Injector