

UNI-WMBB1

Security Housing Adapter Bracket

SONY
make.believe

Aluminum Pole/Wall Mount Adapter Bracket with Straps

The UNI-WMBB1 cast aluminum pole/wall mount adapter is designed to allow a camera housing to be mounted to an existing pole or wall, when used with the gooseneck wall mount bracket. The UNI-WMB1, or the gooseneck mounts for UNI-MDB1/2/3 can be used. Holes for conduit inputs are provided on the sides of the adapter (1/2 inch and 3/4 inch conduit) along with two (2) knockouts on the back two (2) pole straps are included.



KEY FEATURES

- Mounts to poles 3 - 6 inches in diameter.
- Two (2) pole mount straps are included.
- Conduit holes on both sides of the adapter, with two (2) knockouts on the back.
- Threaded bolt inserts to make installation quick and easy.
- Durable powdercoat finish.
- Rugged aluminum casting and stainless steel hardware.
- 25 lb. load rating.

BID SPECIFICATIONS

- The UNI-WMBB1 aluminum pole/wall mount adapter is designed to allow a wall mount bracket to be mounted to an existing pole or wall. Holes for conduit fittings for 1/2 inch and 3/4 inch conduit are provided on the sides of the adapter along with two (2) knockouts on the back. Mounts to poles 3 - 6 inches (76 x 152 mm) in diameter. Two (2) pole straps are included with the UNI-WMBB1. This adapter bracket works with wall mounts with a 2 x 5.5 inch (51 x 140 mm) mounting patterns such as the UNI-WMB1 or UNI-WMB3.

SPECIFICATIONS

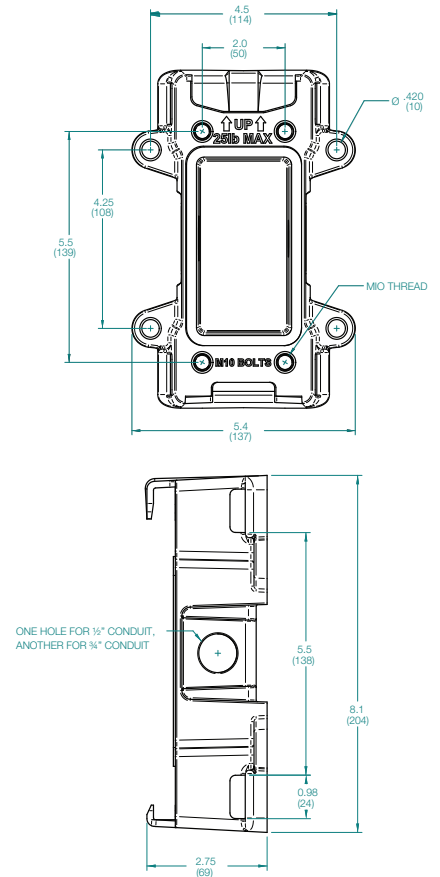
UNI-WMBB1	
Attributes	
Body Construction	Aluminum
Environment	Outdoor
Mounting Style	Pole/Wall Mount Adapter
RoHS	Yes
Mechanical	
Size (H x W x D)	8.1 x 5.4 x 2.8 inches (204 x 137 x 69 mm)
Weight	2 lbs. (1.0 kg)
Shipping	
Weight	3 lbs. (1.4 kg)
Dimensions	9.3 x 7 x 4.5 inches (236 x 178 x 115 mm)

PRODUCT IMAGE



DIMENSIONS

Unit: inches (mm)



© 2011 Sony Electronics Inc. All rights reserved.
 Reproduction in whole or in part without written permission is prohibited.
 Features and specifications are subject to change without notice.
 Weights and measurements are approximate.
 Sony, the Sony make.believe and their respective logos are trademarks of Sony.

Sony Electronics Inc.
 1 Sony Drive
 Park Ridge, NJ 07656
sony.com/security