

Net2 PaxLock

System specifications

Maximum total users/tokens	50,000
Token compatibility	Paxton EM
Handsfree compatible	No
Door open time	1 sec - 60 secs
Silent operation	Yes

Electrical

Battery type	4 x AA 1.5V Alkaline
Battery life	Normal power mode: 20,000 operations Low power mode: 30,000 operations

Communication

TCP/IP	No
Wireless	Yes 2.4GHz (IEEE 802.15.4)
RS485	No
Recommended wireless devices per Net2Air Bridge	10
Optimum wireless range	15m/50ft
Encryption	AES 128bit

Features

Door widths supported	50mm/2"
Door contact	Yes
Rear handle exit request	Yes
Low battery warning	Yes
Flat battery jumpstart terminals	No

Lock case compatibility

Backset	70mm/2.75"
Rotation	70°
Lockset	Cylindrical lockset
Escape function	Refer to Paxton support regarding compatibility

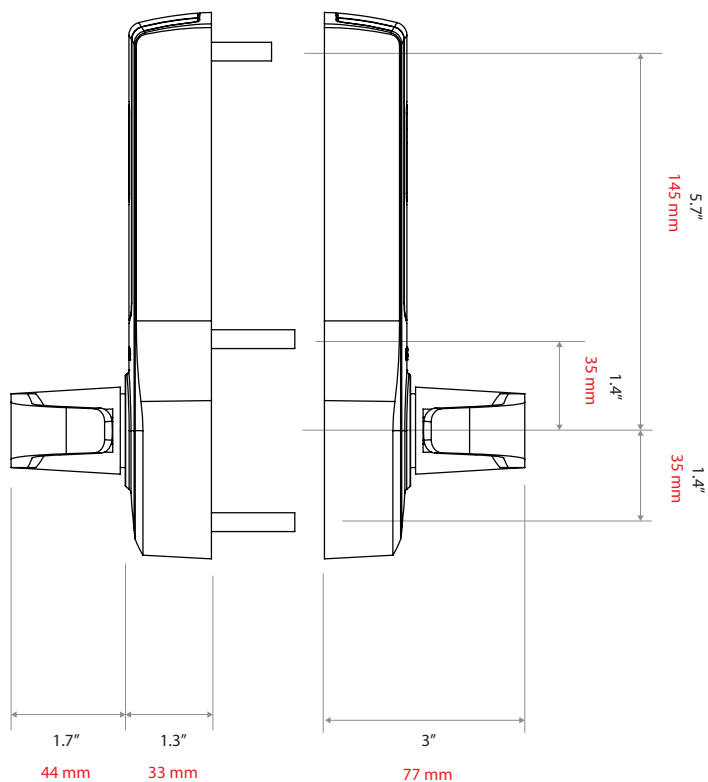
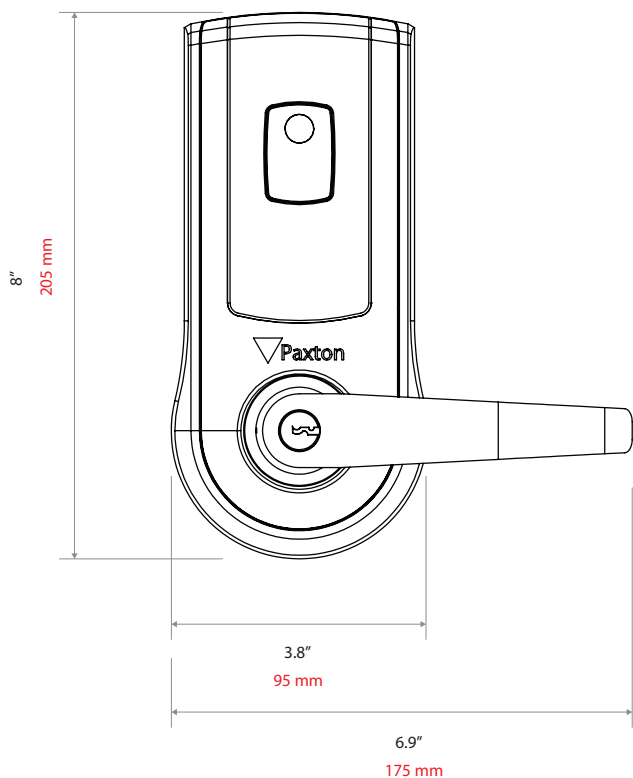
Environment

Operating temperature	0°C - +55°C +32°F - +131°F
Moisture resistance	No
Vandal Resistance	Low
Fire resistance	ANSI/UL 10C compliant (20 min fire doors), CAN/ULC S104 compliant (20 min fire doors)
UL	UL294, CSA 22-2 No. 20512



Net2 PaxLock is a secure wireless battery operated access control unit. Net2 PaxLock works with Paxton's Net2 software, allowing the end user networked access control for easy management. Net2 PaxLock provides live user tracking and alarm events like door forced and door held. It includes a key override for peace of mind.

Net2 PaxLock was designed to operate even if the connection to the server is lost. Allowing up to 10,000 users access rights for entry when offline.



Accessories and sales codes

Net2 PaxLock US C Keyway - Galaxy	921-130-US
Net2 PaxLock US SFIC - Galaxy	921-160-US
Net2 PaxLock US Demo case	921-999-US

Net2 PaxLock US C Keyway - Eclipse	921-131-US
Net2 PaxLock US SFIC - Eclipse	921-161-US



Net2 PaxLock Galaxy style handle



Net2 PaxLock Eclipse style handle