

# 1.3MPx and 3MPx IP WiFi Wedge IR Cameras

IP Open Standards Cameras



## OVERVIEW

TruVision IP Megapixel WiFi Wedge IR Cameras from Interlogix offer state-of-the-art, high-definition images utilizing this popular technology. Designed to adhere to ONVIF open standards, these cameras also support a CGI command set for simple integration into any IP system. 1.3 and 3MPx resolution options provide the flexibility for a wide variety of applications.

These WiFi cameras are based on the Wi-Fi standards of IEEE802.11b/g/n and operate in the 2.4Ghz range. Transmission rates of up to 150Mbps is supported and secure wireless communication is achieved via 64/128-bit WEP, WPA/WPA2, WPA-PSK/WPA2-PSK and WPS wireless encryption standards.

An integrated browser and micro SD memory card storage capability simplify remote, live monitoring/playback of edge-recorded audio and video. Memory card recording also protects data in the event of network disruptions.

The TruVision IP Megapixel WiFi Wedge Cameras are designed for harsh indoor/outdoor environments in marine or land applications or for locations where running cable is not feasible.

These WiFi cameras have an IK8 impact resistant rating, and are IP66 rated for dust and moisture. The enhanced environmental design includes a housing cover made of plastic, stainless steel screws that meet SUS316 standards for improved corrosion resistance, and a special protective coating material for the camera base.



## STANDARD FEATURES

### Video

- 1.3MPx or 3MPx resolution options
- H.264 compression technology with dual-streaming capability accommodates multiple settings
- Compatible with ONVIF Profile S open standards

### Video Enhancement

- Hallway view, ROI (Region of Interest)
- DWDR and/or real-time video streaming up to 1080p resolution to capture every detail
- True day/night functionality and infrared illuminators for capturing images in various lighting scenarios
- 33 ft. (10m) IR range - with on/off settings

### Video Alarms

- Integrated motion detection, tamper proof and privacy masking
- Advanced cross line and Intrusion detection

### Edge Recording

- Features edge recording on micro SD/SDXC card for video playback (card not included)

### Wireless (Wi-Fi)

- Supports IEEE802.11b/g/n Wi-Fi standards
- 2.4 GHz frequency range
- Encryption security support for 64/128-bit WEP, WPA/WPA2, WPA-PSK/WPA2-PSK, WPS standards

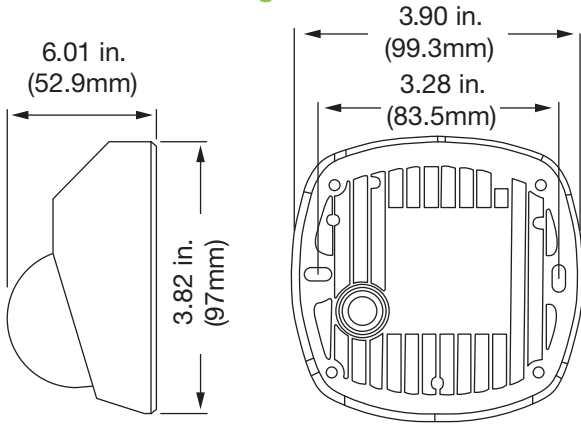
### Environment and Installation

- Corrosive and impact-resistant housing
- IP66 and IK8 ratings
- FCC, CE and UL
- Included TruVision Device Manager program provides fast and easy access to newly added system devices

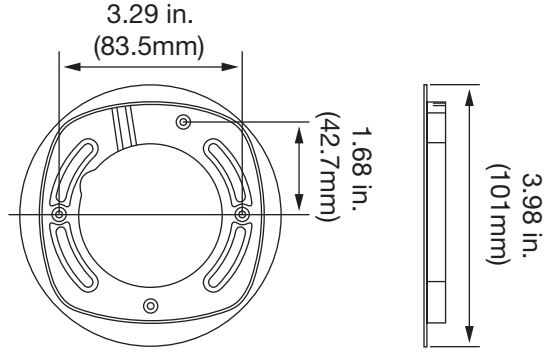
### Warranty

- 3-Year warranty

## Dimensional Diagrams

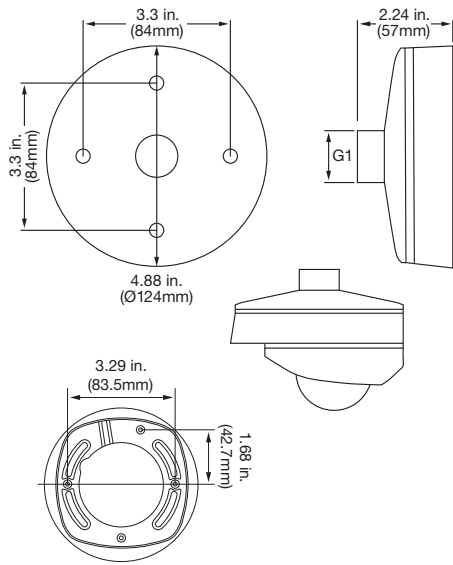


### Mounting Plate (included)

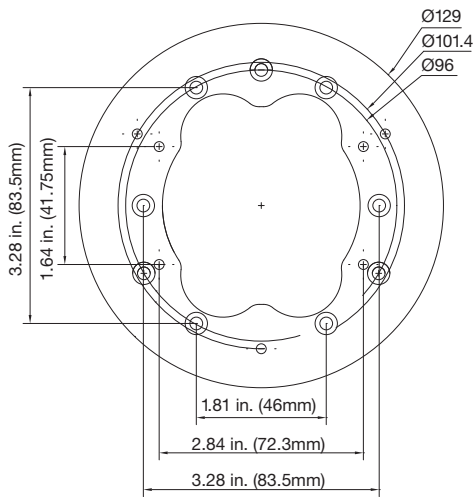


## Accessories

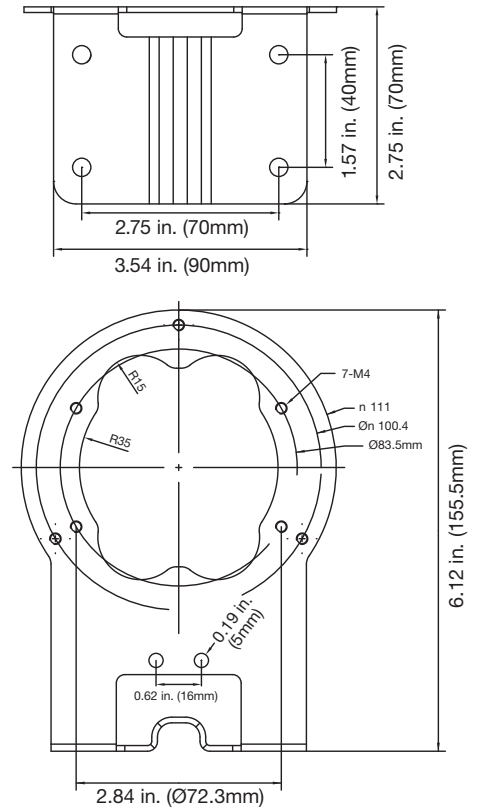
### TVD-CB2 2" Cup Base



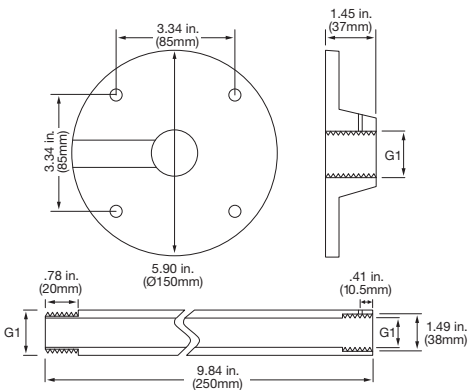
### DR-RWM-AD Adapter



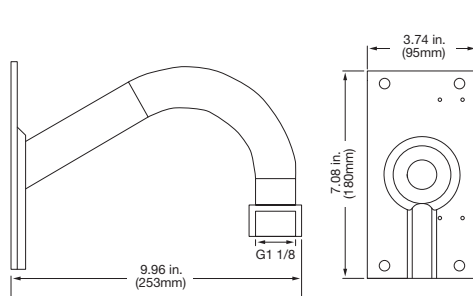
### TVD-LWB-1 Dome Bracket



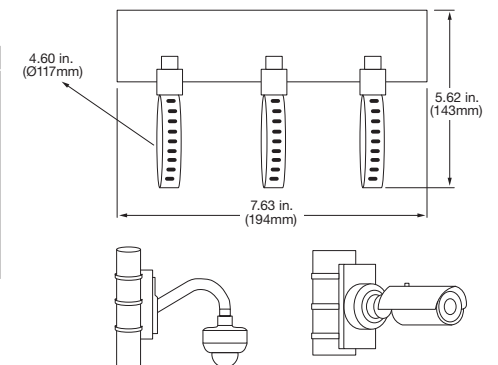
### TVD-PPB Pendant Ceiling Bracket








### TVD-SNB Swan Neck Bracket



### TVD-M-PMA Pole Mount Adaptor



# Specifications

PART NO.		TVW-3103 TVW-1103	TVW-3104 TVW-1104	TVW-3105 TVW-1105	TVW-3106 TVW-1106	TVW-3116 TVW-1116	
Description							
Housing	Color	Gray	White	Gray	White	White	
	Sensor						1/3" Progressive Scan CMOS sensor
Camera	Resolution	1.3MPx		3MPx			
	Day/Night	IR cut filter with auto-switch					
	IP Compression	H.264 (Main profile) / MJPEG					
	Maximum Resolution (@ fps)	1280 x 960 @ 30fps (60Hz), 1280 x 960 @ 25fps (50Hz)			2048 x 1536 @ 20fps (60Hz), 2048 x 1536 @ 20fps (50Hz)		
	Maximum Real-Time Resolution (@ fps)	1280 x 960 @ 30fps (60Hz), 1280 x 960 @ 25fps (50Hz)			1920 x 1080 @ 30fps (60Hz), 1920 x 1080 @ 25fps (50Hz)		
	Multiple Streaming	Dual Streams					
	Video Bit Rate Mainstream	128 Kbps to 12 Mbps					
	Video Bit Rate Substream	128 Kbps to 8 Mbps					
	WDR	DWDR (72dB)					
	Digital Noise Reduction	3D					
	Sensitivity	0.01 lux @ (f1.2, AGC ON), 0 lux @ (IR ON)			0.07 lux @ (f1.2, AGC ON), 0 lux @ (IR ON)		
	S/N Ratio	50 dB (AGC OFF)					
	Auto Exposure (shutter)	60 Hz: 1/3s ~ 1/100,000s, 50 Hz: 1/3s ~ 1/100,000s					
	Lens	2.8mm @ f2.0					6mm @ f2.0
	Focus	Fixed					
IR Distance	33 ft. (10m) with on/off setting						
IR Wavelength	850nm						
Standards & Integration	ONVIF Profile S, PSIA, CGI						
Network	Network Protocols	TCP/IP, UDP, HTTP, DHCP, DNS, DDNS, ezDDNS, DynDNS, RTP, RTSP, PPPoE, SMTP, NTP, SNMP, HTTPS, FTP, UPnP, NAT, MULTICAST, 802.1x, Qos, IPv4, IPv6					
	Ethernet Port	RJ45 10/100Mbps Auto-negotiate					
Wireless	WiFi Standards	IEEE802.11b, 802.11g, 802.11n					
	Frequency Range	2.4 GHz ~ 2.4835 GHz					
	Channel Bandwidth	20/40MHz Support					
	Protocols	802.11b: CCK, QPSK, BPSK; 802.11g/n: OFDM / 11b: 17±1.5dBm @ 11Mbps					
	Transmit Output Power	11b: 17±1.5dBm @ 11Mbps; 11g: 14±1.5dBm @ 54Mbps; 11n: 12.5±1.5dBm					
	Transfer Rates	11b: -90dBm @ 11Mbps (Typical); 11g: -75dBm @ 54Mbps (Typical); 11n: -74dBm (Typical)					
WiFi Range	~ 164 ft. (50m) in direct line-of sight applications						
Security	64/128-bit WEP, WPA/WPA2, WPA-PSK/WPA2-PSK, WPS						
Local Storage	Media	Micro SD/SDXC (card not included)					
	Capacity	Up to 64GB					
Audio	Input	Built-in					
	Output	External					
	Audio Bit Rate (Protocol)	64 Kbps (G.711) / 16 Kbps (G.726) / 32-128 Kbps (MP2L2)					
Camera Alarms	Basic	Motion Detection, Tamper Proof, Privacy Mask					
	Advanced	Cross line, Intrusion detection					
	I/O Connection	Audio output, Alarm I/O					
Display	Display mode	Flipped horizontally (up/down), vertically (right/left) or centered, Hallway view, ROI (Region of Interest)					
	On Screen Display (OSD)	Text overlay					
Electrical & Mechanical	Voltage	12VDC, PoE (IEEE 802.3-af)					
	Current	420mA (Max.)					
	Power Consumption	5W (Max.)					
	Dimensions (W x H x D)	3.9 x 3.8 x 2.1 in. (99 x 97 x 53mm)					
	Weight	0.9 lbs. (407g)					
	Adapter Mounting Plates	Converter plate included					
Environmental	Storage Temperature	-4°F~-158°F (-20°C~70°C)					
	Operating Temperature	-22°F~-140°F (-30°C~60°C)					
	Environmental Rating	IP66					
	Vandal Rating	IK8					
Regulatory	Compliance	R&TTE, FCC, CE, UL, C-Tick, REACH, RoHS, WEEE					

# 1.3MPx and 3MPx IP WiFi Wedge IR Cameras

IP Open Standards Cameras

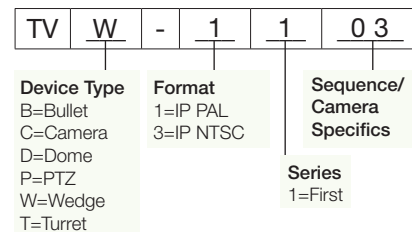
## Ordering Information

NTSC	
<b>TVW-3103</b>	TruVision® IP WiFi Wedge Camera, 1.3MPx, 2.8mm Fixed Lens, DWDR, True D/N, 10m IR, SD/SHDC Slot, PoE (802.3-af)/12VDC, Corrosion Resistant, IP66, IK8, Audio, Gray Housing, NTSC
<b>TVW-3104</b>	TruVision IP WiFi Wedge Camera, 1.3MPx, 2.8mm Fixed Lens, DWDR, True D/N, 10m IR, SD/SHDC Slot, PoE (802.3-af)/12VDC, Corrosion Resistant, IP66, IK8, Audio, White Housing, NTSC
<b>TVW-3105</b>	TruVision IP WiFi Wedge Camera, 3MPx, 2.8mm Fixed Lens, DWDR, True D/N, 10m IR, SD/SHDC Slot, PoE (802.3-af)/12VDC, Corrosion Resistant, IP66, IK8, Audio, Gray Housing, NTSC
<b>TVW-3106</b>	TruVision IP WiFi Wedge Camera, 3MPx, 2.8mm Fixed Lens, DWDR, True D/N, 10m IR, SD/SHDC Slot, PoE (802.3-af)/12VDC, Corrosion Resistant, IP66, IK8, Audio, White Housing, NTSC
<b>TVW-3116</b>	TruVision IP WiFi Wedge Camera, 3MPx, 6mm Fixed Lens, DWDR, True D/N, 10m IR, SD/SHDC Slot, PoE (802.3-af)/12VDC, Corrosion Resistant, IP66, IK8, Audio, White Housing, NTSC
PAL	
<b>TVW-1103</b>	TruVision IP WiFi Wedge Camera, 1.3MPx, 2.8mm Fixed Lens, DWDR, True D/N, 10m IR, SD/SHDC Slot, PoE (802.3-af)/12VDC, Corrosion Resistant, IP66, IK8, Audio, Gray Housing, PAL
<b>TVW-1104</b>	TruVision IP WiFi Wedge Camera, 1.3MPx, 2.8mm Fixed Lens, DWDR, True D/N, 10m IR, SD/SHDC Slot, PoE (802.3-af)/12VDC, Corrosion Resistant, IP66, IK8, Audio, White Housing, PAL
<b>TVW-1105</b>	TruVision IP WiFi Wedge Camera, 3MPx, 2.8mm Fixed Lens, DWDR, True D/N, 10m IR, SD/SHDC Slot, PoE (802.3-af)/12VDC, Corrosion Resistant, IP66, IK8, Audio, Gray Housing, PAL
<b>TVW-1106</b>	TruVision IP WiFi Wedge Camera, 3MPx, 2.8mm Fixed Lens, DWDR, True D/N, 10m IR, SD/SHDC Slot, PoE (802.3-af)/12VDC, Corrosion Resistant, IP66, IK8, Audio, White Housing, PAL
<b>TVW-1116</b>	TruVision IP WiFi Wedge Camera, 3MPx, 6mm Fixed Lens, DWDR, True D/N, 10m IR, SD/SHDC Slot, PoE (802.3-af)/12VDC, Corrosion Resistant, IP66, IK8, Audio, White Housing, PAL

## Accessories

<b>TVD-CB2</b>	TruVision Dome 2" Cup Base
<b>DR-RWM-AD</b>	Adapter for TruVision Wedge or Plastic Dome to DR-RWM or TVD-M2-WM Wall Mounts
<b>TVD-LWB-1</b>	TruVision Dome Bracket, L-Shape (for Analog/IP Wedge and Analog/HD/IP Plastic Dome Cameras)
<b>TVD-PPB</b>	TruVision Dome Pendant-Mount Bracket (use w/TVD-CB2)
<b>TVD-SNB</b>	TruVision Dome Swan Neck Bracket (use w/TVD-CB2)
<b>TVD-M-PMA</b>	TruVision Pole Mount Adapter (use w/TVD-SNB)

## IP/Megapixel part number schema



interlogix.com

Specifications subject to change without notice.

© 2015 United Technologies Corporation.

All rights reserved.

All trademarks are the property of their respective owners.

Interlogix is part of UTC Building & Industrial Systems, a unit of United Technologies Corporation.

506-3944 2015/08 (81381)