

FTTX FIBER OPTIC CABINET PACKAGE, TYPE 4X

INDUSTRY STANDARDS

UL 508A Listed; Type 4, 4X, 12; File No. E61997

CSA: Type 4, 4X, 12
 NEMA/EEMAC Type 4, 4X, 12
 EC60529, IP66
 Designed to meet Telcordia NEBS GR-487, GR-63 and IEC 48D
 EIA 310-D with 19-in. spacing for rack equipment
 Cabinet is RoHS compliant
NEBS is a trademark of Telcordia

APPLICATION

Pad-mounted FTTX welded aluminum enclosures provide long-lasting protection and manage fiber optic cable for broadband delivery in outdoor applications. Provided with or without back-up battery compartment.

FEATURES

- Standard pitched roof promotes water runoff
- Available with either single- or dual-access doors on front and rear for convenient access
- Available with or without battery compartment
- 3-point latching mechanisms and padlocking handles on doors provide security
- Seamless foam-in-place gasket seals doors against moisture and dust
- Wind latch mechanisms on doors control door when open for equipment maintenance
- Removable lifting lugs (2) for easy installation
- Rack angles adjustable for 19-in. or 23-in. spacing without modifications
- Use cage nuts to mount equipment

- Cabinet top insulation helps prevent the formation of condensation and reduces solar gain inside cabinet. Cabinet side insulation is optional.
- Base of cabinet has a 5.00-in. (127-mm) high aluminum mounting plinth to allow for cable alignment
- Three pyramidal boots provided at base of cabinet for sealing various sizes of cables
- All fasteners are stainless steel to maintain professional appearance in severe outdoor climate conditions
- Grounding buss bar provided

SPECIFICATIONS

- Manufactured from Type 5052-H32 .125 in.-thick aluminum
- Seams continuously welded and ground smooth
- Heavy gauge continuous hinge

FINISH

RAL 7035 light textured low-gloss polyester powder paint over pretreated surfaces. Custom finishes available please contact your local Hoffman sales office.

ACCESSORIES

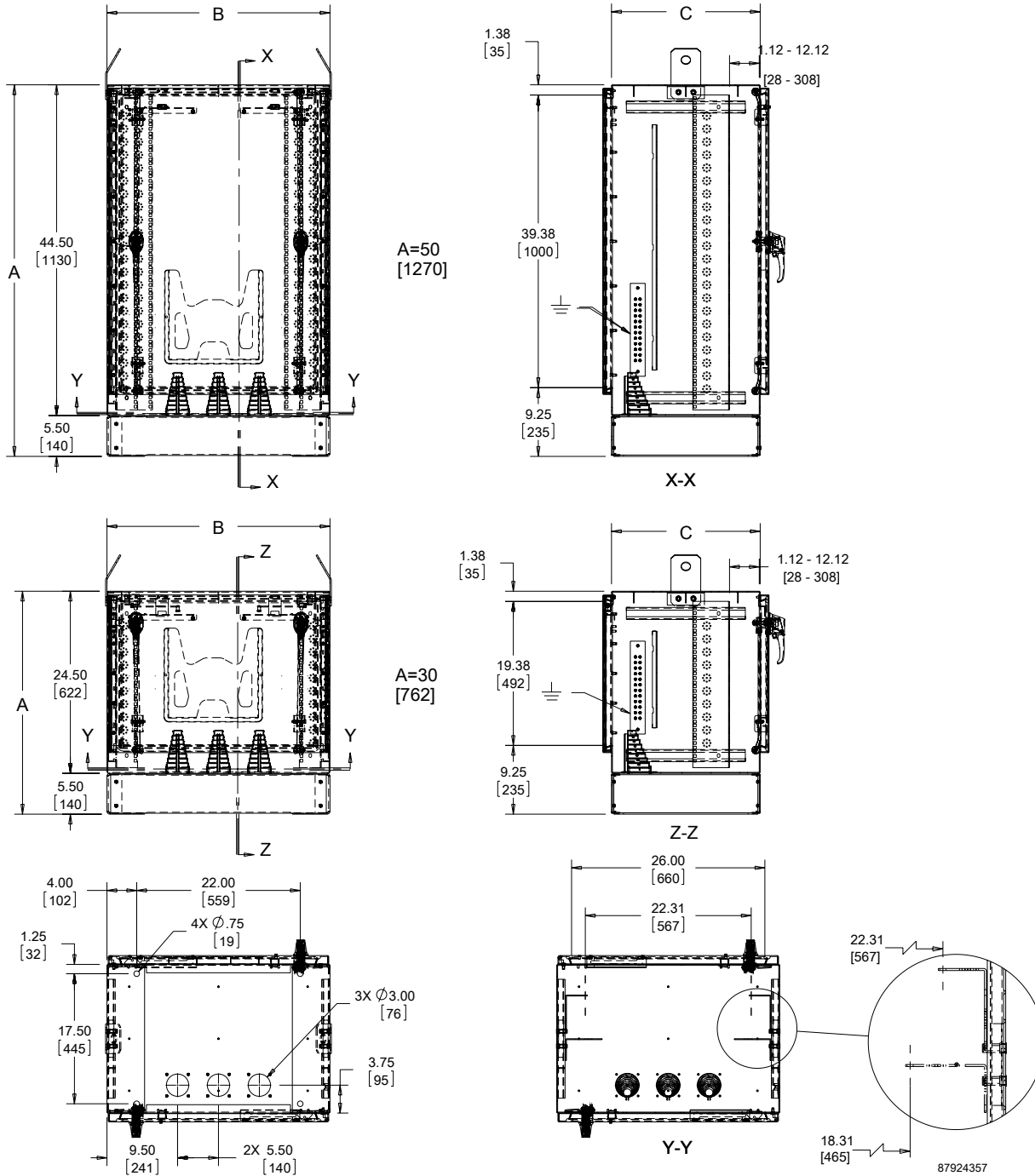
Fiber Management Spool
 Compact Cooling Fans
 Temperature Control Switches
 Light Package
 Screw Packages
 Fiber Optic Cabinet Pole-Mount Kit
 Compact and Mid-Size Heat Exchangers
 Type 3R, 12, 4 T4 Line Indoor/Outdoor Air Conditioners
 Electric Heaters

BULLETIN: DTX

Standard Product **FTTX Without Battery Compartment**

Catalog Number	AxBxC in.	AxBxC mm	Rack Units	Description
T303020FTTX	30.00 x 30.00 x 20.00	762 x 762 x 508	10	Single-Access
T503020FTTX	50.00 x 30.00 x 20.00	1270 x 762 x 508	22	Single-Access
T303020FTTXDA	30.00 x 30.00 x 20.00	762 x 762 x 508	10	Dual-Access
T503020FTTXDA	50.00 x 30.00 x 20.00	1270 x 762 x 508	22	Dual-Access
T303044FTTXDA	30.00 x 30.00 x 44.00	762 x 762 x 1118	10	Dual-Access
T503044FTTXDA	50.00 x 30.00 x 44.00	1270 x 762 x 1118	22	Dual-Access
T843044FTTXDA	84.00 x 30.00 x 44.00	2134 x 762 x 1118	43	Dual-Access

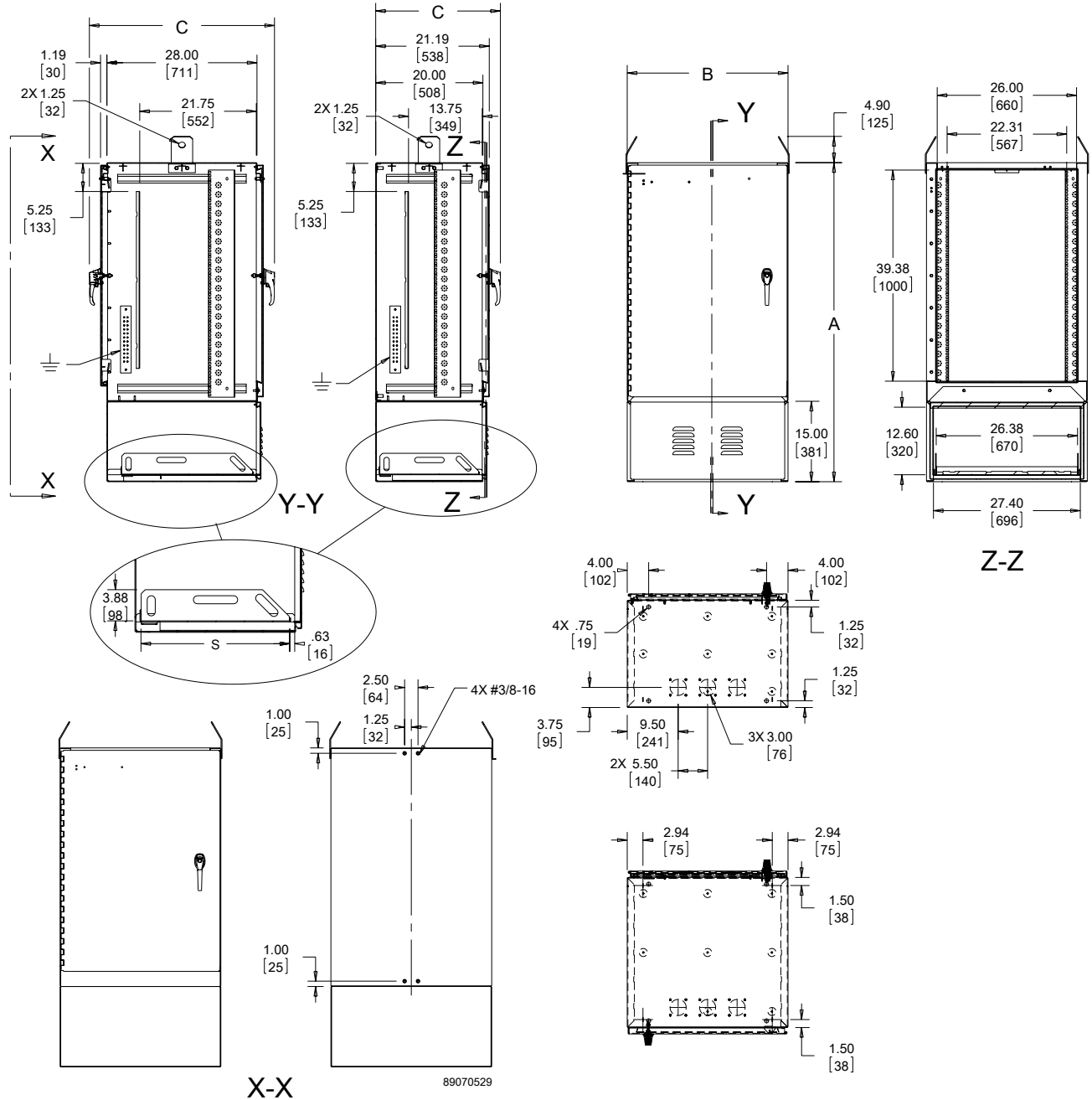
FTTX Fiber Optic Cabinet Without Battery Compartment



Standard Product FTTX With Battery Compartment

Catalog Number	AxBxC in.	AxBxC mm	Rack Units	Description	S (in.)	S (mm)
T503020FTTXB	59.49 x 30.00 x 23.27	1511 x 762 x 591	22	Single-Access	18.75	476
T503028FTTXDAB	59.49 x 30.00 x 34.53	1511 x 762 x 877	22	Dual-Access	24.75	629
T503044FTTXDAB	59.49 x 30.00 x 50.53	1511 x 762 x 12834	22	Dual-Access	40.75	1035
T843044FTTXDAB	93.49 x 30.00 x 50.53	2375 x 762 x 1284	43	Dual-Access	40.75	1035

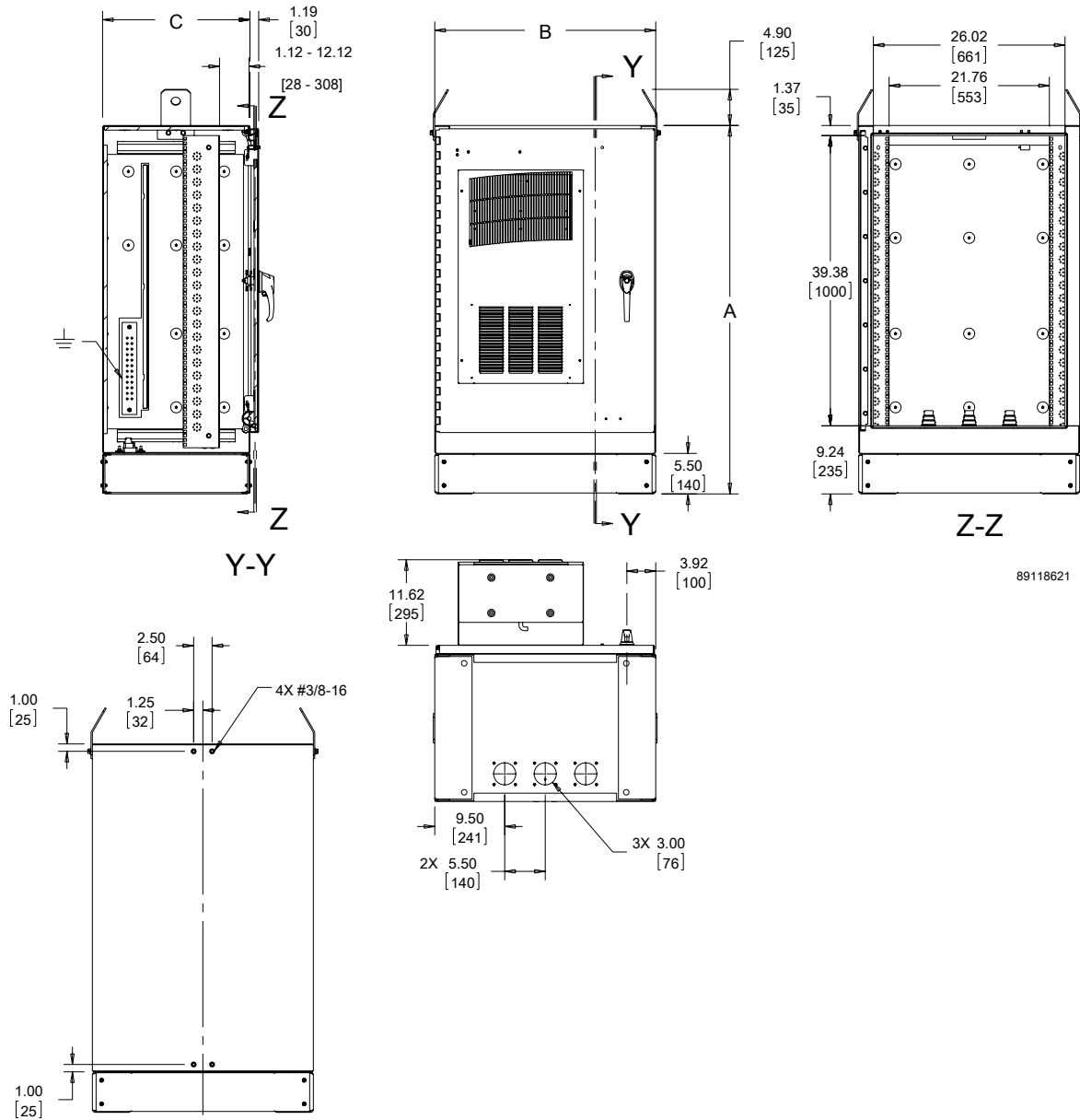
FTTX Fiber Optic Cabinet With Battery Compartment



Standard Product **With AC, Without Battery Compartment**

Catalog Number	AxBxC in.	AxBxC mm	Rack Units	Description	AC Model
T503020FTTXSA	50.00 x 30.00 x 20.00	1270 x 762 x 508	22	Single-Access	T290426G161
T503044FTTXDASA	50.00 x 30.00 x 44.00	1270 x 762 x 1118	22	Dual-Access	T290426G161
T843044FTTXDASA	84.00 x 30.00 x 44.00	2134 x 762 x 1118	43	Dual-Access	T430626G159

FTTX Fiber Optic Cabinet Without Battery Compartment, With AC



89118621

FIBER MANAGEMENT SPOOL

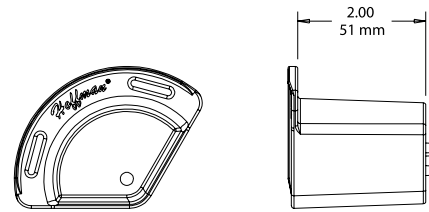


Fiber Management Spools mount inside the cabinet and help maintain proper bends when routing cable. Molded of black plastic. Includes thread-forming M5 mounting screws. Slots provided on flange for VELCRO® cable wrap.

VELCRO is a trademark of Velcro Industries B.V.

BULLETIN: DTX

Catalog Number	Radius (in.)	Radius (mm)	Pkg. Qty.
TOPTKSPL	1.18	30	4



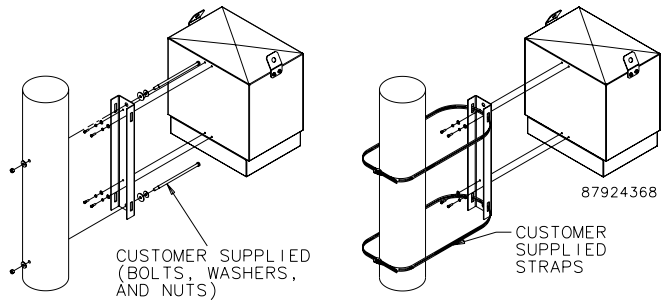
87951339

FIBER OPTIC CABINET POLE-MOUNT KIT

The Pole-Mount Kit installs on the rear of the single-access cabinets using the hardware provided. No drilling or tapping of the cabinet is required. Installation instructions are provided for mounting to various types of poles.

BULLETIN: DTX

Catalog Number	Kit Includes	Use With
T11FTTXXPMK	Channel and hardware for attaching to cabinet	10U Cabinet
T23FTTXXPMK	Channel and hardware for attaching to cabinet	22U Cabinet



INSTALLATION ON WOOD POLE

INSTALLATION ON CONCRETE OR STEEL POLE

CAGE NUT PACKAGE



Cage Nut Packages are for use with square-hole rack angles. Cage nuts are plated steel.

BULLETIN: DACCY

Catalog Number	Color	Description	Pkg. Qty.
PM5CN	Silver	M5 cage nut	20
PM6CN	Silver	M6 cage nut	20
PM6CN250	Silver	M6 cage nut	250
P1032CN	Silver	10-32 cage nut	20
P1032CN250	Silver	10-32 cage nut	250
P1224CN	Silver	12-24 cage nut	20
P1224CN250	Silver	12-24 cage nut	250

SCREW PACKAGE



Screws attach rack panels and rack-mounted equipment to rack-mounting angles.

BULLETIN: A80, DACCY, X20

Catalog Number	Color	Description	Pkg. Qty.
ES1224	Silver	12-24 x 5/8 in. combo head	20
ES1224250	Silver	12-24 x 5/8 in. combo head	250
ES1224B	Black	12-24 x 5/8 in. combo head	20
ES1224B250	Black	12-24 x 5/8 in. combo head	250
ASM5	Silver	M5 x 20 mm Combo Head	20
ASM6	Silver	M6 x 16 mm combo head	20
ASM5T	Silver	M5 x 12 mm thread-forming Phillips hex head screws	20
ASM6250	Silver	M6 x 16 mm combo head	250
AS1032	Silver	10-32 x 5/8 in. combo head	20
AS1032250	Silver	10-32 x 5/8 in. combo head	250
AS1032B	Black	10-32 x 5/8 in. combo head	20

Use ASM5T on PROLINE frame or Net Series extruded holes.

TOP SOLAR SHIELD FOR CABINET

The Top Solar Shield provides reduction to solar load by providing air insulation to the top of the cabinet. Shield top surface is angled to direct rain water off to the side of the cabinet. The solar shield bolts on to cabinet for easy assembly. Made of 0.80 aluminum with cabinet matching RAL 7035 finish.

BULLETIN: DTX

Catalog Number	AxBxC in.	AxBxC mm	Use with B x C
TSS3020	1.73 x 30.20 x 21.26	44 x 767 x 540	Single Access
TSS3020D	1.73 x 30.20 x 22.36	44 x 767 x 568	Dual Access
TSS3028D	1.73 x 30.20 x 30.39	44 x 767 x 772	Dual Access

