



The 1006 Series is also available in a Complete One Box Solution

1006 Series

The strongest, most versatile electric strike available

Shown with KM Option

The 1006 series is the strongest and most versatile electric strike available. The dual interlocking plunger design and heavy duty stainless steel construction, enables it to exceed every standard developed for electric strikes. With multiple faceplate options, the 1006 will fully accommodate every lock designed to work within an ANSI 4-7/8" strike plate. Tested to exceed 3,000 lbs. of static strength, 350 ft-lbs. of dynamic strength and factory tested to exceed 1,000,000 cycles of operation, the 1006 is in a class of its own.



Specifications

- UL 10C fire-rated, 3 hour single door (fail secure only)
- UL 10C fire-rated, 1-1/2 hour double door (fail secure only)
- CAN4-S104(ULC-S104) fire door conformant
- ANSI A250.13-2003 windstorm listed
- UL 1034, burglary-resistant listed and suitable for outdoor use
- UL 294 (6th Edition) listed
- ANSI/BHMA A156.31, Grade 1
- NFPA-252 fire door conformant
- ASTM-E152 fire door conformant
- MEA New York City accepted
- Florida Building Code approved FL#4776
- RoHS compliant
- Environmental Product Declaration
- Patents: 6,021,038 & 6,595,564

Frame Application

- Metal
- Wood

Electrical (continuous duty)

- .45 Amps at 12 VDC
- .25 Amps at 24 VDC

1006 Models

1006	Universal electric strike	Faceplate options ordered separately, see pages 12-16
1006CS	Complete electric strike	Includes the SMART Pac II and J, KD, KM, HM, and AD faceplates
1006CLB	Complete electric strike	Includes the J, K, KD, and KM faceplates
1006CDB	Complete electric strike	Includes the HM and AD faceplates
RF1016	Integrated Prox	Includes the strike body, Prox reader and door position switch
IC1026	Integrated iCLASS®	Includes the strike body, iCLASS reader and door position switch

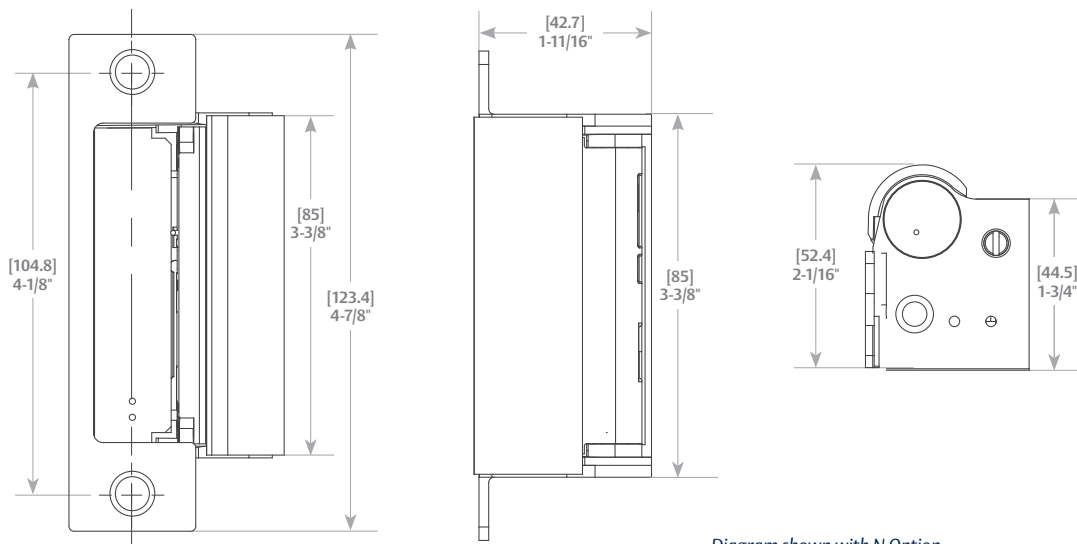


Diagram shown with N Option

Standard Features

- Stainless steel construction
- Tamper-resistant
- Static strength 3,070 lbs. (fail secure)
- Dynamic strength 350 ft-lbs. (fail secure)
- Endurance 1,000,000 cycles
- Fail secure
- Dual-voltage 12 VDC or 24 VDC continuous duty
- Non-handed
- Internally mounted solenoid
- Accommodates up to 1" deadbolt
- Plug-in connector
- Full keeper shims for horizontal adjustment
- Trim enhancer
- Five-year limited warranty

Optional Features

- LBM** » Latchbolt monitor
- LBSM** » Latchbolt strike monitor
- Fail safe
- Interchangeable faceplates

Monitor Switches may not work with all faceplate options (see pages 12-16)

Accessories

- 1000-102** » Rain guard
- 1006-103** » Full keeper shims
- 1000-104** » Lip extension trim adapter
- 1006-105** » Trim enhancer BLK (goof plate)
- 1006-109** » Trim adapter
- 1000-110** » Replacement strike plate
- 1000-130** » KD filler plate

- 150** » Strike latch guard
- 154-MTK** » Metal template kit
- 2004M** » ElectroLynx® adapter
- 2005M3** » SMART Pac® III
- 2006M** » Plug-in buzzer

Finishes

- 630** » Satin stainless steel
- 605** » Bright brass
- 606** » Satin brass
- 612** » Satin bronze
- 613** » Bronze toned
- 629** » Bright stainless steel
- BLK** » Black

**Complete Pacs are only available in the 630 finish*



CYLINDRICAL
LOCKSETS



MORTISE LOCKS WITH
DEADBOLTS



MORTISE LOCKS
WITHOUT
DEADBOLTS



SPECIALTY
LOCKSETS



ANSI A250.13-2003
WINDSTORM
RESISTANT



FIELD SELECTABLE
(12 OR 24VDC)



FIRE RATED



GRADE 1



OUTDOOR
RATED



UL 1034
BURGLARY
LISTED

hes
ASSA ABLOY

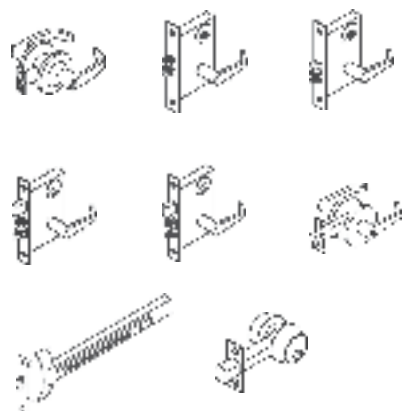
1006CS Smart Strike™

The **Complete One Box Solution** for all cylindrical and mortise locksets, with or without a 1" deadbolt

The **1006CS Smart Strike** includes a 1006 electric strike body and SMART Pac® III plus faceplates and brackets that can provide the same function as any of the following options:

J Option	AM Option	N Option
K Option	H Option	ND Option
KD Option	HD Option	NM Option
KM Option	HM Option	T Option
A Option	HT Option	TD Option
AD Option	HTD Option	

Compatible Locksets:



*Complete Pacs are only available in the 630 finish

1006CLB Complete for Latchbolt Locks

The **Complete One Box Solution** for all cylindrical and mortise locksets

The **1006CLB** includes the 1006 electric strike body plus faceplates and brackets that provide the same function as any of the following options:

J Option	KD Option
K Option	KM Option

Compatible Locksets:



1006CDB Complete for Deadbolt Locks

The **Complete One Box Solution** for all locksets with a 1" deadbolt

The **1006CDB** includes the 1006 electricstrike body plus faceplates and brackets that provide the same function as any of the following options:

A Option	HM Option	NM Option
AD Option	HT Option	T Option
AM Option	HTD Option	TD Option
H Option	N Option	
HD Option	ND Option	

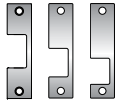
Compatible Locksets:



1006 Series Faceplate Options



Operation: After releasing the latchbolt, the keeper returns to the locked position

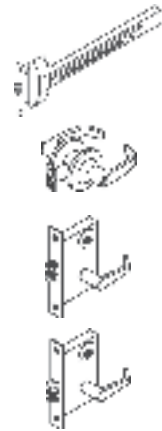


4-7/8" × 1-1/4"

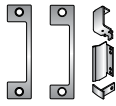
LB Option

The Latchbolt Solution: Includes all hardware to accommodate every cylindrical and mortise lock up to a 3/4" latchbolt.
Replaces function of the J, K, KM and KD Options

» ANSI/BHMA Numbers: E09321, E09322, E09323



Operation: This deadbolt solution offers three modes of functionality; night latch, lockout, and normally extended deadbolt. (Functional operation modes described below.)



4-7/8" × 1-1/4"

DB Option

The Deadbolt Solution: Includes all hardware to retain, release and recapture all mortise locks, and tubular deadbolts up to a 1" latchbolt

Mode 1: Night latch function. The deadbolt is retracted during traffic hours. The latchbolt is released by the keeper and keeper returns to the locked position.

Mode 2: Lockout function. The electric strike will not release if the deadbolt is extended.

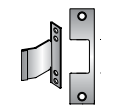
Mode 3: Normally extended deadbolt. Latchbolt and deadbolt are released by a single keeper. The keeper is held open to recapture the latchbolt and deadbolt when the door is closed.

Replaces function of the N, ND, NM, A, AM, AD, T, TD, H, HD, HM, HT, and HTD options

» ANSI/BHMA Numbers: E09391, E09392, E09393, E09331, E09332, E09333



Operation: After releasing the latchbolt or deadbolt the keeper returns to the locked position



4-7/8" × 1-1/4"

E Option

For use with: Corbin Russwin Security Bolt, Weiserbolt and normally extended 1" tubular deadbolts

» ANSI/BHMA Numbers: E09391, E09392, E09393



"For use with" information is offered as a recommendation only. Reference should be made to the lockset manufacturer for proper installation instructions necessary to meet compatibility requirements.