



Product at a Glance

- ▶ 1.3 MP/720p and 2 MP/1080p resolution models
- ▶ True day/night camera with a built-in varifocal autoiris lens and IR illuminators
- ▶ True WDR (120 db)
- ▶ H.264 high-profile, MPEG-4 and M-JPEG compression
- ▶ ONVIF interface provides interoperability with open platform solutions
- ▶ Power-over-Ethernet (IEEE 802.3af) or 12 VDC
- ▶ Triple streaming video
- ▶ Audio and alarm in/out
- ▶ uSD card slot for on-camera storage
- ▶ Rugged construction for harsh indoor or outdoor environments, IP67 and IK10 rated; heater provides all-weather protection
- ▶ Integral wall mount

Overview

Vicon's V920B-A HD IP Series Bullet Cameras is designed for performance in the most demanding security installations. The megapixel camera series offers a number of fixed network camera versions that deliver crisp clear images to fit any installation need. The V921B-A has a 1.3 MP/720p resolution and the V922B-A has a 2 MP/1080p resolution. They include a motorized varifocal autoiris lens and IR illuminators; true WDR is provided. Refer to the table for model details.

The V920B-A provides triple-streaming video and supports H.264 compression technology, drastically reducing file sizes and conserving valuable network bandwidth. Users can receive multiple streams simultaneously in different resolutions, frame rates and image qualities for viewing on different platforms. MPEG-4 and M-JPEG compression are also provided.

The bullet camera is designed for easy installation. Power over Ethernet (IEEE 802.3af) eliminates the need for power cables, providing a cost-effective method of installation. The camera also accepts 12 VDC. The V920B-A has an integral mount that allows it to be mounted on a wall. The camera position is adjustable to any view required. Additionally, a composite output is provided for installation using a spot monitor (NTSC/PAL selectable).

In order to adapt to constantly changing outdoor lighting conditions, the V920B-A series features an autoiris lens to protect from damage induced by direct sunlight. The true day/night camera also includes a removable IR cut filter for superior image quality around the clock. The Wide Dynamic Range (WDR) further improves video exposure quality in scenes with high contrast between bright and dark areas. To adapt to low lighting conditions, integrated IR LEDs illuminate the scene up to 81 ft (25 m).

For protection against the elements, the camera dome is IP67 rated with a vandal-proof casing to withstand rain, dust, and vandalism; it is also IK10 rated for impact protection. The unit is secured by tamperproof screws. The heater further enhances the dome's performance and reliability in extremely weather conditions (12 VDC only). The camera can be adjusted for angle of view.

SPECIFICATIONS

Model	V921B-W39MIR-A	V922B-W39MIR-A
Image Sensor:	1/2.8-inch progressive scan RGB CMOS	
Max Resolution:	1.3 MP/720p	2 MP/1080p
Image Settings:	Adjustable bit rate. Digital image effects: flip/mirror/aisle. Configurable brightness, contrast, saturation, hue, sharpness. White balance. Digital zoom. Automatic gain control (AGC). Electronic shutter speed (AES). Day/night mode. BLC (Backlight Compensation). Dynamic Noise Reduction (2DNR/3DNR). Motion detection (16). Privacy masking (8). Slow shutter.	
Video Analytics:	DIS, Defog, Face Detector, Tampering, Line Detector, Field Detector	
Electronic Shutter Speed:	Auto 1 ~ 1/10,000	
Digital Zoom:	Yes (ROI)	
Day/Night Performance:	True day/night (IR cut filter)	
Wide Dynamic Range:	120 db WDR	
Minimum Illumination:	IR Color: 0.1 lux; IR BW: 0 lux @ f/1.3, 40 IRE	
IR Distance:	81 ft (25 m) (with 32 IR LEDs)	

Lenses

Focal Length:	3-9 mm (3X zoom)
Max. Aperture:	f/1.3
Iris:	Autoiris
Zoom/Focus Adjust:	Motorized focus and zoom
Horizontal Field of View:	3-9 mm: 100° - 40°

Network Video Transmission

Network:	10Base-T, 100Base-TX, RJ-45
Image Compression:	H.264, MPEG-4, M-JPEG; CVBR, VBR bit rate control
Resolution:	1920x1080 (1080P), 1280x1024, 1280x720/960 (720P), 704x480/576 (D1), 640x480/360 (VGA), 320x240 (QVGA)
Protocol:	IPv4/IPv6, TCP/IP, HTTP, HTTPS, RTSP, RTCP, RTP, DHCP, FTP, UDP, uPnP, ARP, QoS, Zeroconf, Bonjour, Manual
Frame Rate:	60 fps
Streams:	Triple streaming (30 fps); Dual streaming (60 fps)
Users:	Live viewing for up to 10 clients; playback up to 3 clients (Unicast)
Web Browser:	Internet Explorer®, Safari®, Firefox®, Google Chrome®
Security:	IP address filtering, HTTPS encrypted data transmission, SSL, password protection

Mechanical and Electrical

Construction:	Die-cast aluminum base; polycarbonate plastic clear dome; tamperproof screws
Camera Angle of Adjustment:	Pan and tilt adjustment
Mounting:	Integral mount for surface mounting
Dimensions:	3.9 in. (98.4 mm) (W) x 3.7 in. (92.9 mm) (H), 11.4 in. (289.5 mm) (D), including sunshield and mount; refer to dimension drawing
Weight:	2.3 lb (1.04 kg), including sunshield and mount

Internet Explorer is a registered trademark of Microsoft; Safari is a registered trademark of Apple Inc; Chrome is a registered trademark of Google; Firefox is a registered trademark of Mozilla Corp.; Opera is a registered trademark of Opera Software.

Data Sheet Number: V271-01-00
Vicon Data Sheet Number: 8009-7271-01-00

SPECIFICATIONS

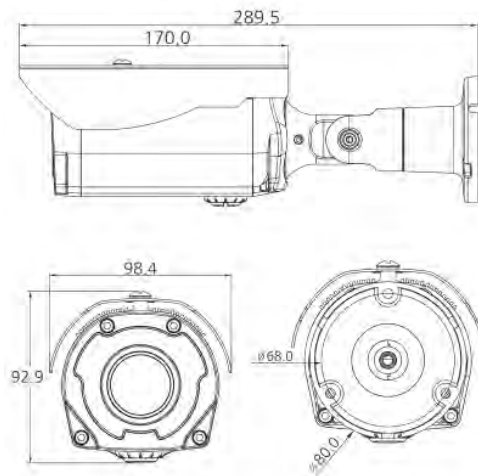
Input Power:	12 VDC, PoE IEEE 802.3af Class 0
Current (IR on):	Heater on: 12 VDC: 440 mA max.; PoE: 260 mA
Power Consumption (IR on):	Heater on: 12 VDC: 5.3 W max.; PoE: 12.5 W
Audio:	1 input/1 output; G.711 codec; 64 kbps bit rate
Storage:	Slot for uSD card on camera (SDHC, max. 32 GB; card not supplied)

Controls and Connectors

Connectors:	Power: 12 VDC: screw terminal; PoE/Network: RJ-45 CAT 5. Local Storage: uSD card slot. Alarm in/out: screw terminal. Audio in/out: screw terminal. Composite output provided for installation (NTSC/PAL selectable). Reset button.
--------------------	--

Environmental

Operating Conditions:	Temp: -40 to 140° F (-40 to 60° C) with heater Humidity: up to 90%, non-condensing
Approvals:	UL, FCC Class A, CE, IP66; IK10
Warranty:	3 years



Dimensional Drawing (mm)

Ordering Information

Resolution	Lens	Model Number
720p resolution (1.3 MP)	3 - 9 mm motorized zoom and focus; IR illuminators	V921B-W39MIR-A
1080p resolution (2 MP)	3 - 9 mm motorized zoom and focus; IR illuminators	V922B-W39MIR-A

Model Descriptions

Model Number	Description
V920D-OSD	OSD controller; for making changes from the OSD on the V920 series camera domes; for use with spot monitor

Cable Adapters

