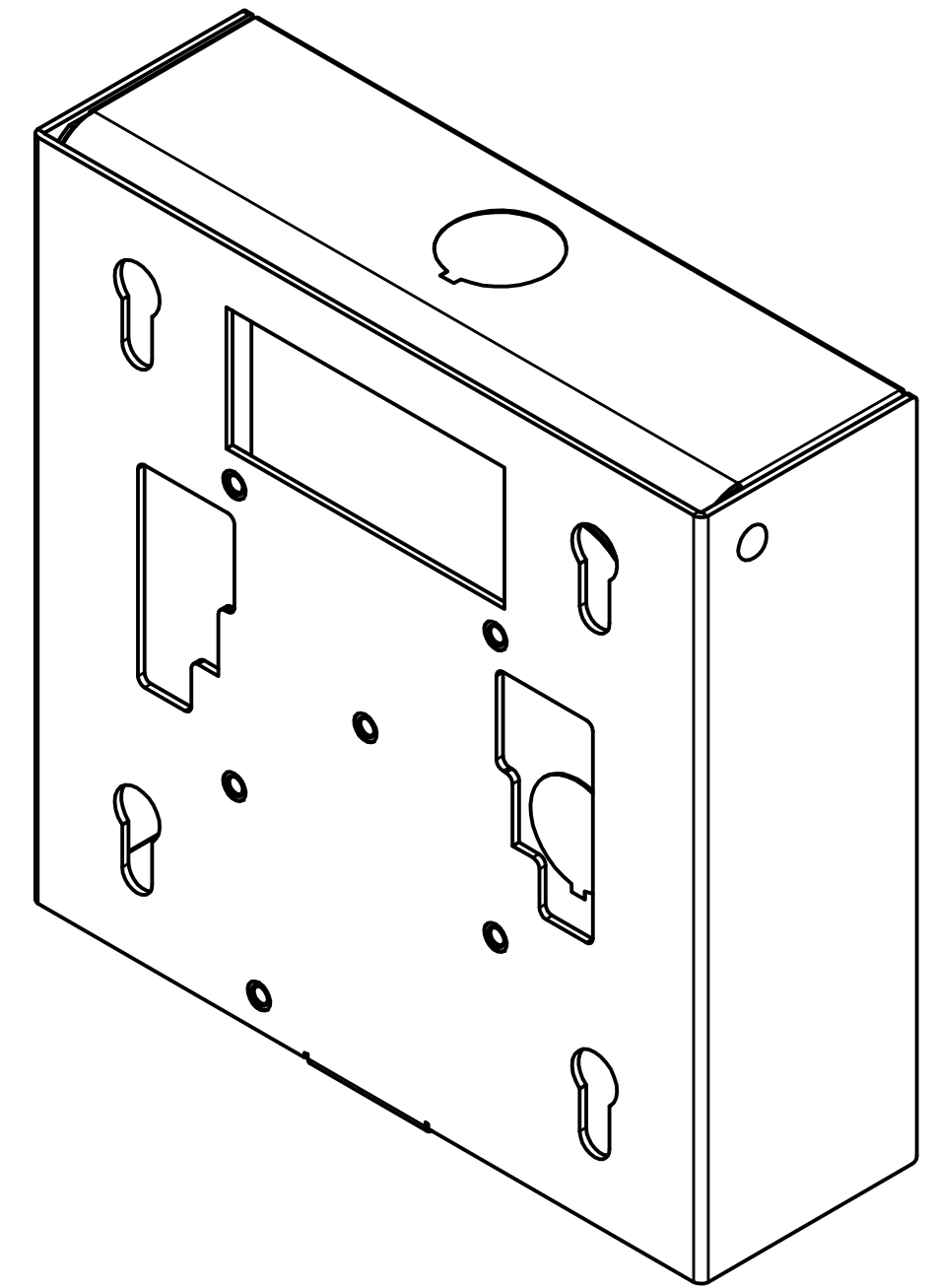
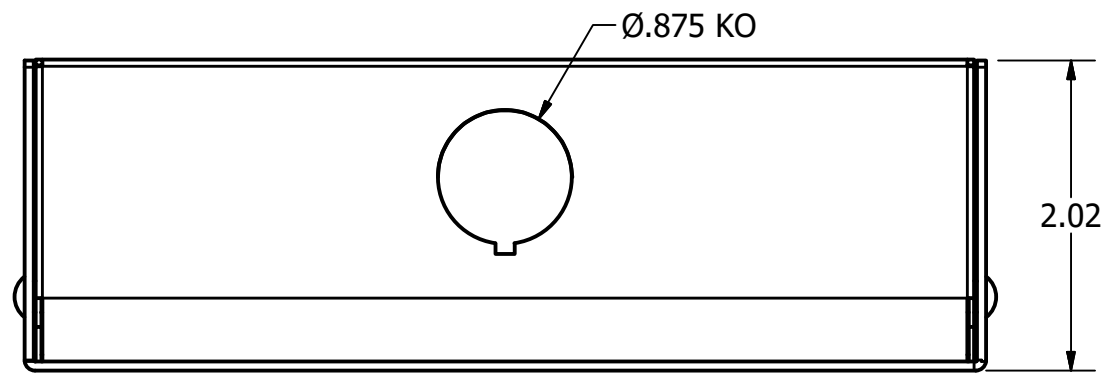
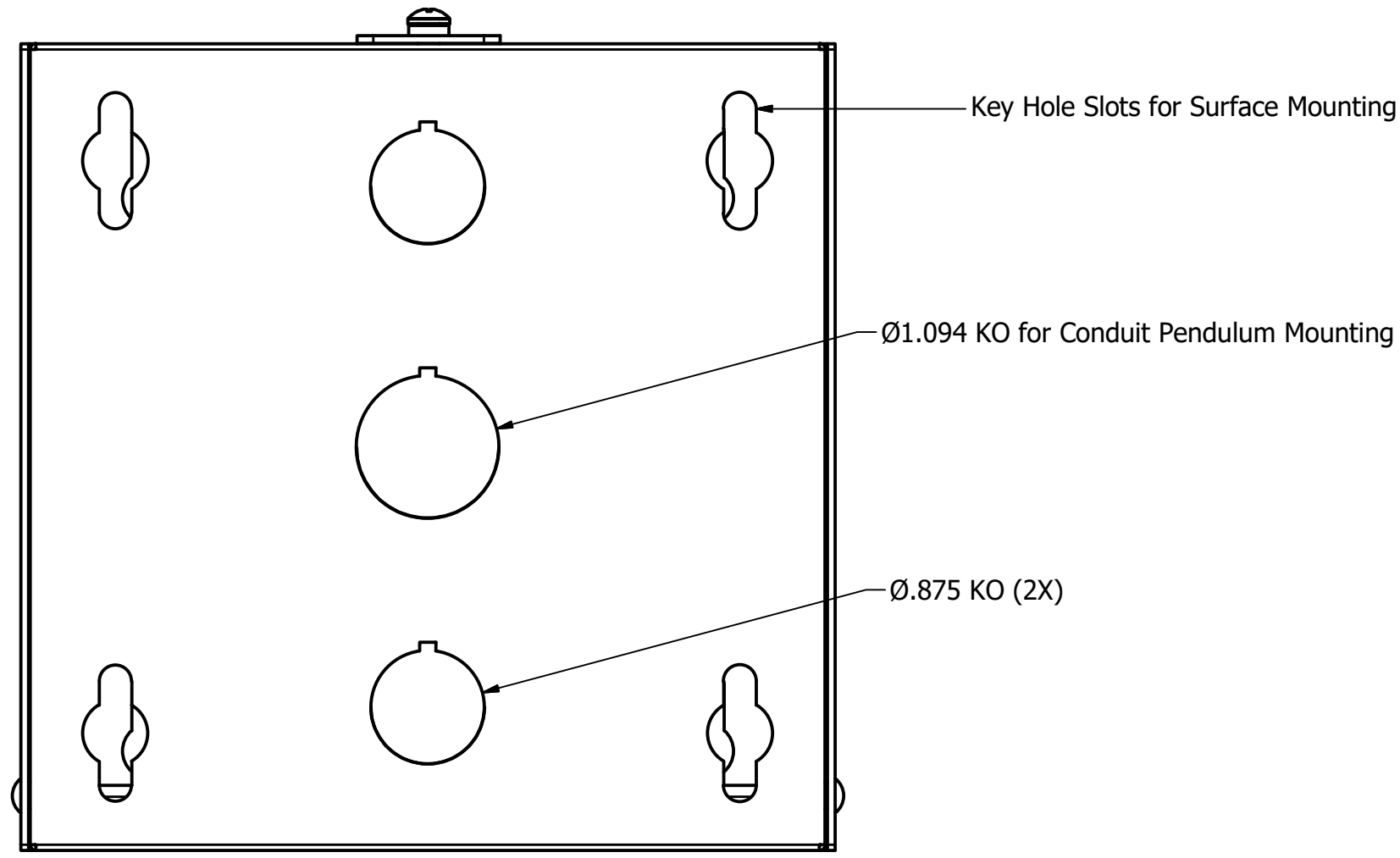
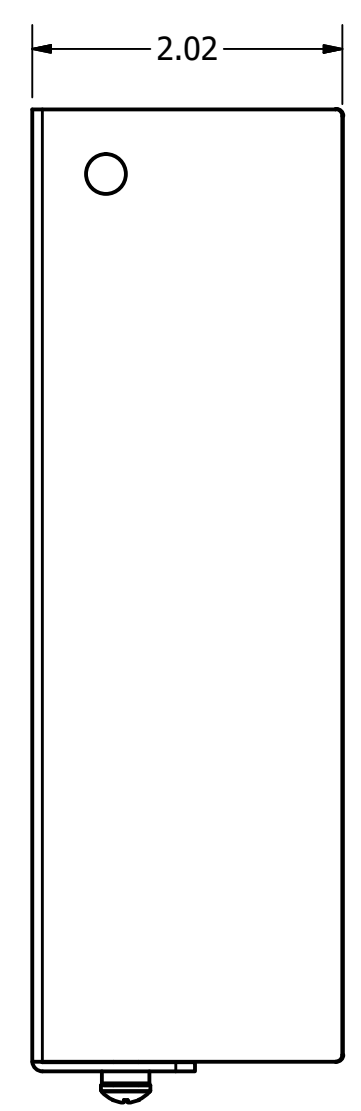
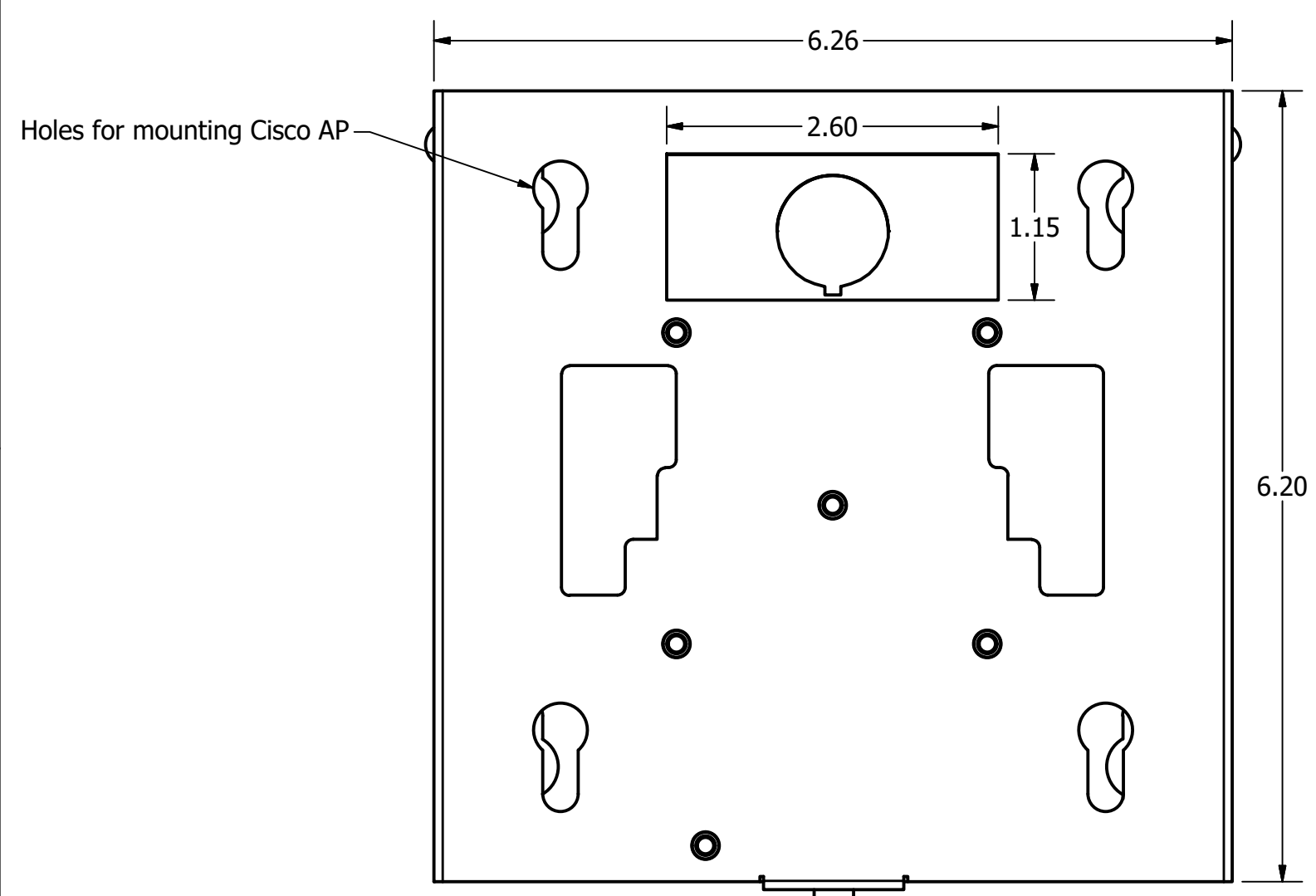


REVISION HISTORY				
ZONE	REV	DESCRIPTION	DATE	APPROVED
All	1	Released	6/27/2016	KMK



ISOMETRIC VIEW



**Note:**

- Construction: 16 Ga. White Powder Coated Steel
- Includes: AP Mount (1)  
#8-32 x 1/4" Pan Head Screw (4)  
Cable Tie (1)

DRAWN KMK	8/9/2016	Oberon, Inc. - 1315 S. Allen St. - State College, PA 16801		
CHECKED KMK	8/9/2016	TITLE		
QA		Model 900-HC Customer Print		
MFG KMK	8/9/2016	SIZE C	DWG NO 2477	REV 1
APPROVED KMK	8/9/2016	SCALE	SHEET 1 OF 1	
TOLERANCE:		.0 = +/- .030 .00 = +/- .015 .000 = +/- .005		