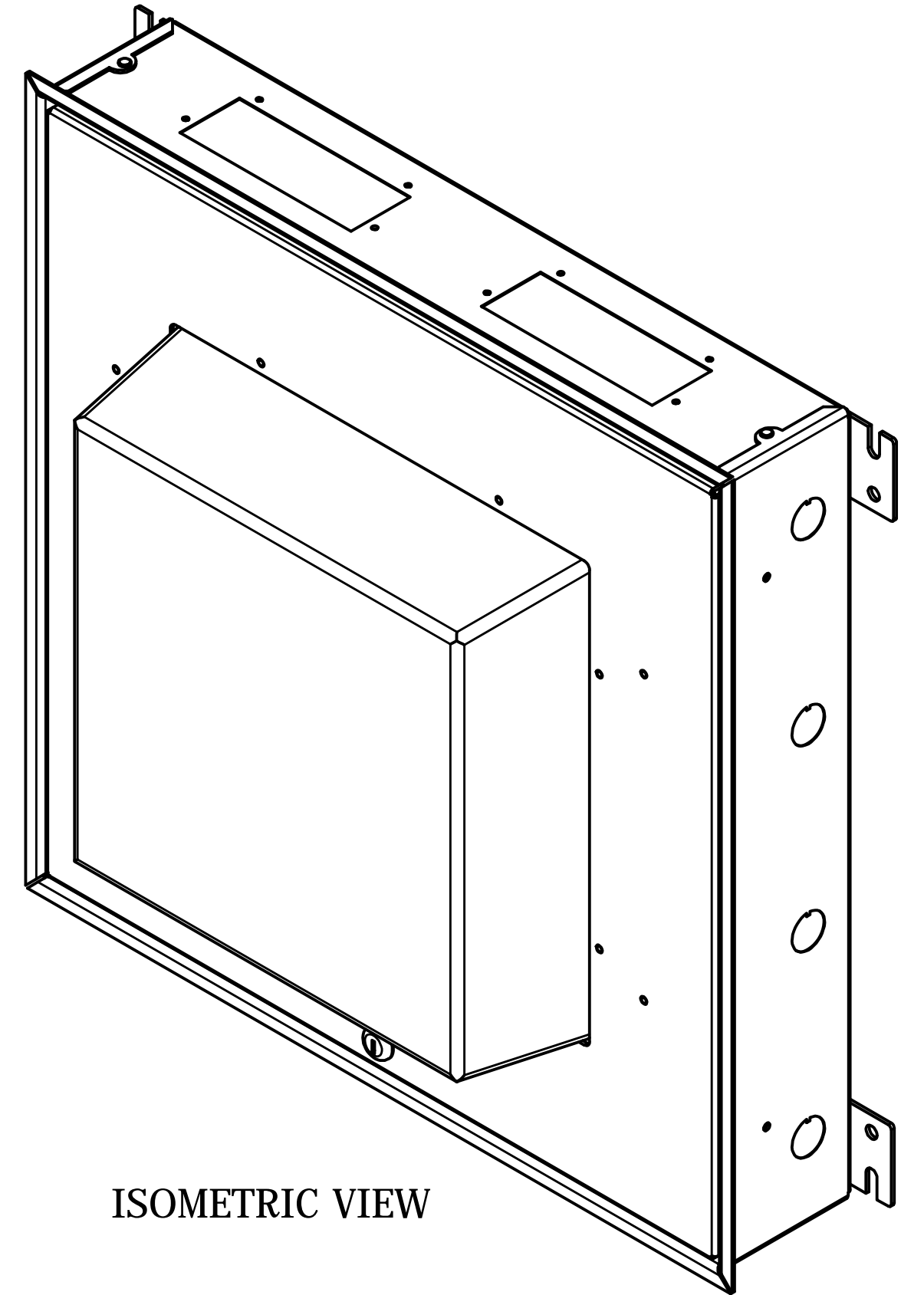
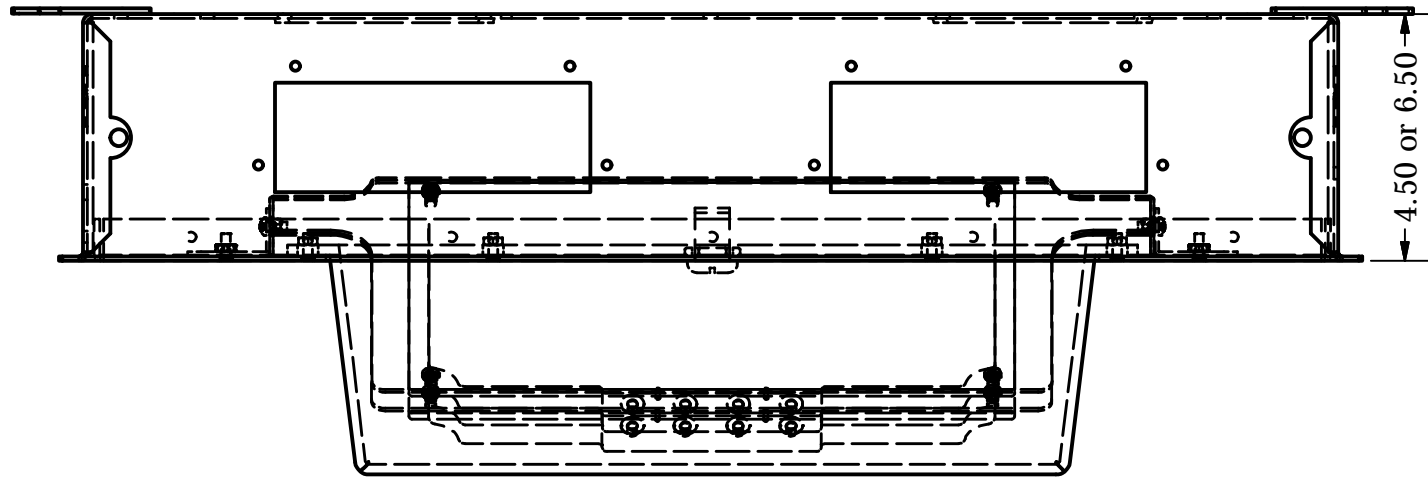
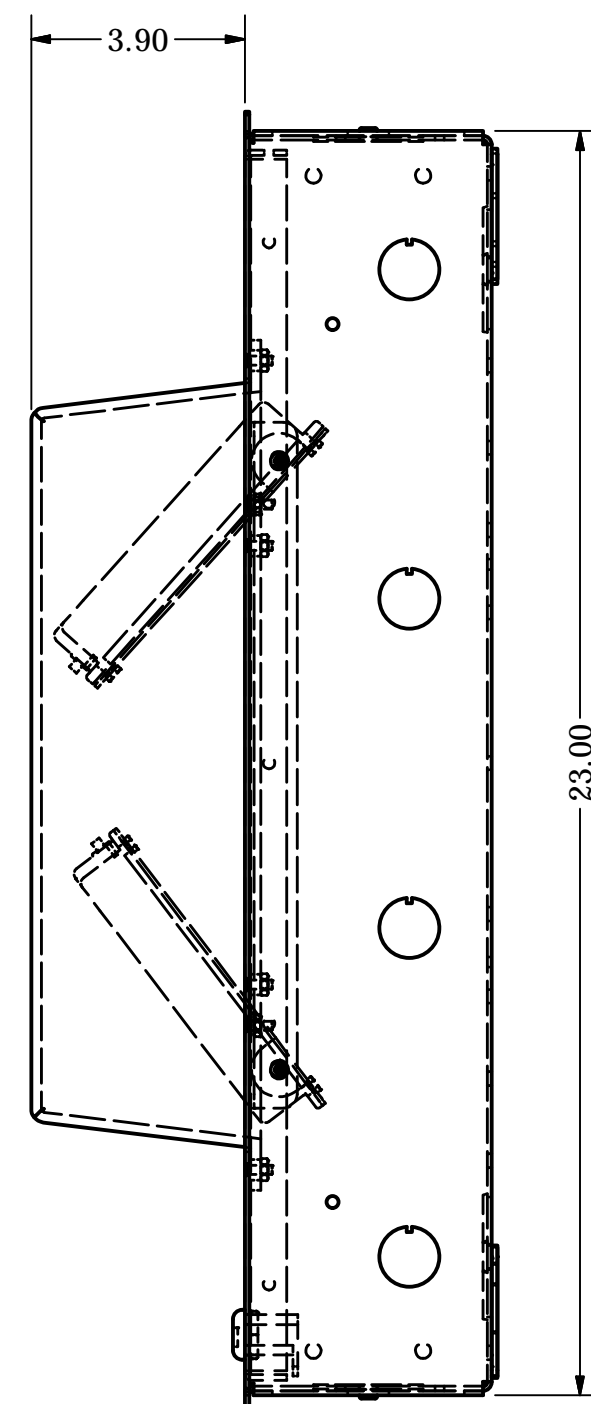
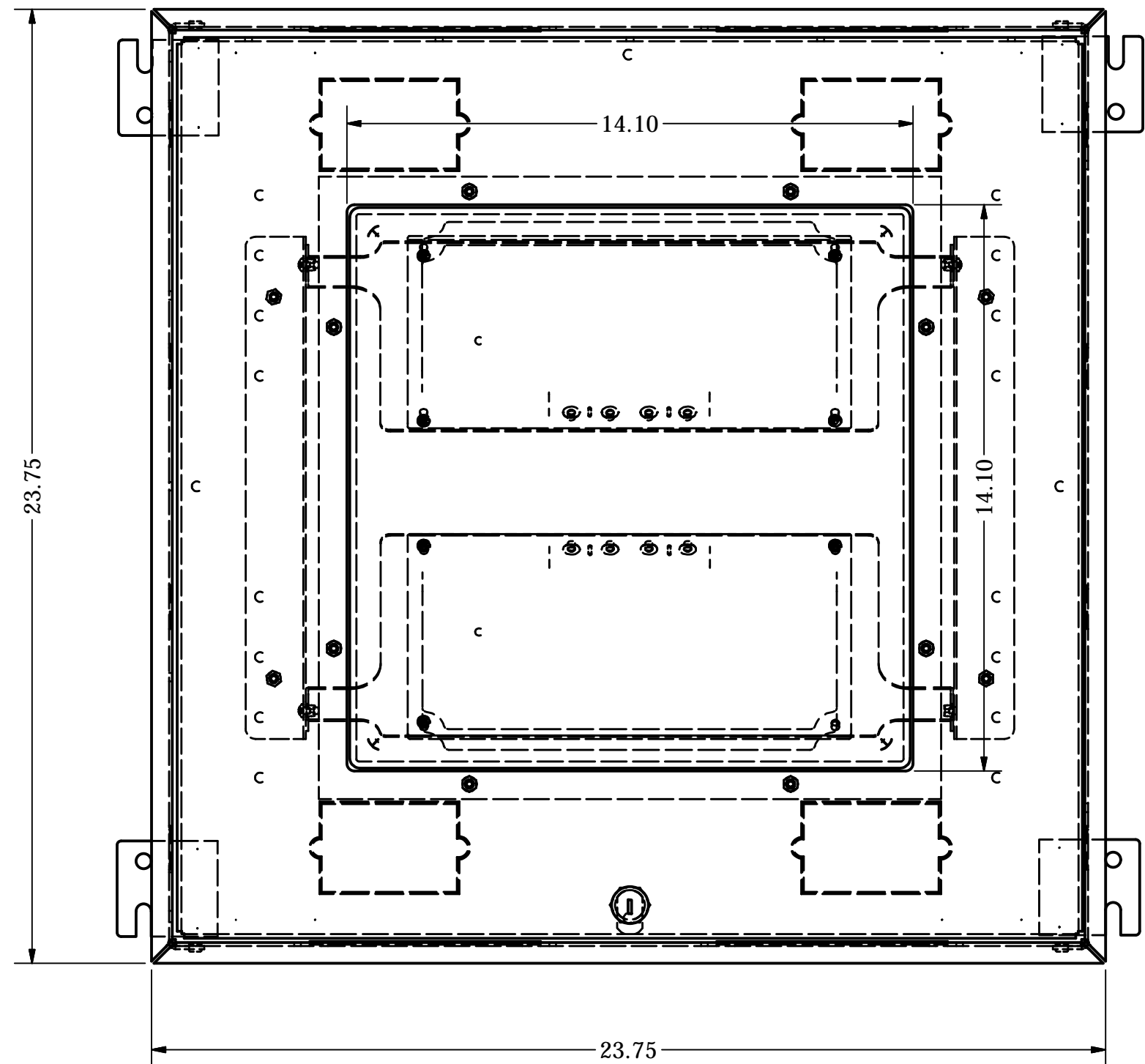


REVISION HISTORY				
ZONE	REV	DESCRIPTION	DATE	APPROVED
All	1	Released	1/12/2017	MDA



ISOMETRIC VIEW

- NOTES:
- UL Listed NWIN: File No. E348543
  - OSHPD Approved: File No. OPA-1638-10
  - Weight: 16 lbs.
  - Material: 10 Ga. White Power Coated Aluminum Backbox  
10 Ga. White Powder Coated Aluminum Door
  - Includes: (8) Wire Hanger  
(1) UL Listed Electrical Receptical Box and Cover  
(2) 3 RU Rack Mounting Bracket  
(4) Wire Management J-Hooks  
(2) Antenna Mounting Brackets  
(2) Large Cable Egress Fire Stop Foam Kit  
(1) Small Cable Egress Fire Stop Foam Kit  
(4) #6-20 3/8" Self Tapping Screw



NOTE: All materials used in the construction of Oberon products must be RoHS compliant. Contact Oberon engineering if RoHS compliant materials are not available.

DRAWN MDA	1/12/2017	Oberon, Inc. - 1315 S. Allen St. - State College, PA 16801		
CHECKED MDA	1/12/2017			
QA		TITLE		
MFG MDA	1/12/2017	Model 1074-DOME		
APPROVED MDA	1/12/2017			
TOLERANCE:	.0 = +/- .030	SIZE C	DWG NO 1074-DOME	REV 1
	.00 = +/- .015	SCALE		
	.000 = +/- .005			SHEET 1 OF 1