

# Installation Instructions

Model Number 900-HC

## Assembly Components:

- Model 900-HC, base and cover - 1 each
- #8 - 32 screws (for attaching access point mounting plate) – 6 each
- T-bar bracket – 1 each
- Cable tie – 1 each
- Installation Instructions – 1 each

If any of these items are missing, contact your Oberon representative.

The Oberon Model 900-HC is designed to mount the Aruba and Cisco Enterprise wireless access points. The mount can be surface mounted to a wall, or installed with hanging conduit.

Step 1 - Place the Oberon mount on a flat work surface. If hanging mount from a conduit pipe, remove the center knockout on the base. Determine which knockout is to be used for the data cable and remove the knockout. Remove the one (1) screw holding the base and cover of the Oberon mount together and place it aside to be used later.

Step 2a (**ARUBA INSTALLATION**) – To install an Aruba access point, align the round bosses on the back of the access point with the opening on the cover of the Oberon mount. Slide the access point down and secure in place using the #8-32 screw. Install the screw into the center nut to prevent the access point from being dislodged (Ref. Figure 1).

Step 2b (**CISCO INSTALLATION**) – Attach the AIR-BRACKET-2 to the mount cover using the four (4) #8-32 screws provided. The AIR-BRACKET-2 should be aligned with the *Oberon mount cover* so that the cable entry on the AIR-BRACKET-2 is positioned toward the cutout of the *Oberon mount cover* (Ref. Figure 2). Plug the data cable into the *Cisco access point*, and attach the *Cisco access point* to the AIR-BRACKET-2 (Ref. Figure 2).

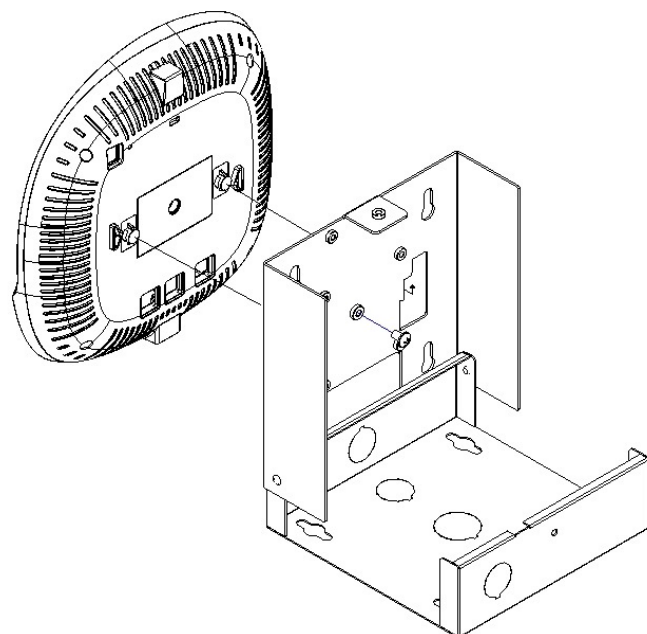


Figure 1 - Aruba Installation

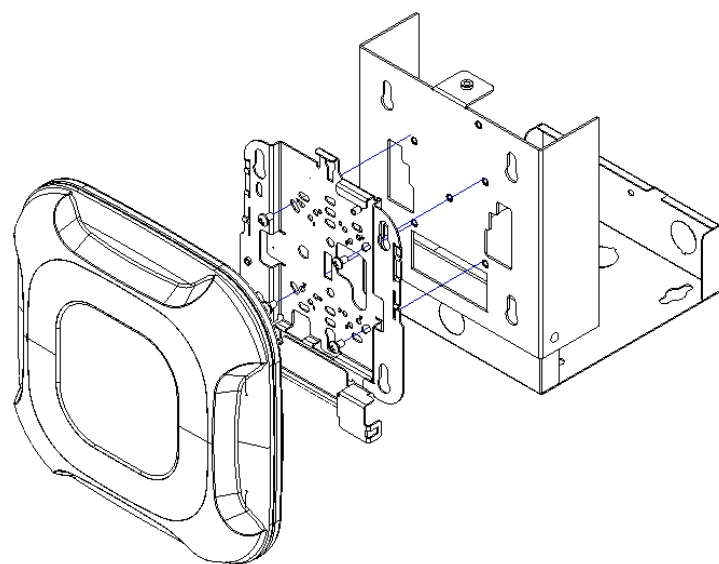


Figure 2 - Cisco/AIR-BRACKET-2 Installation

Step 2c (**CISCO INSTALLATION**) – If the AIR-BRACKET-2 is not being used, place the Cisco access point's mounting feet into the keyhole slots and slide the access point towards the edge. Install the #8-32 screw into the nut located near the edge to secure the access point in place (Ref. Figure 3).

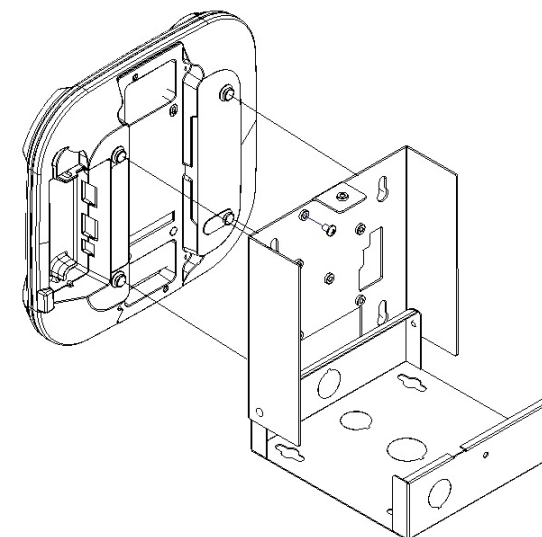


Figure 3 - Cisco Installation

Step 3a (**Hanging Conduit**) – The base can be attached directly to a conduit pipe. Use the center knockout on the base and a cable clamp to secure the mount to the conduit (Ref. Figure 4).

Step 3b (**Surface Mounted**) – The base can be surface mounted directly to a wall or ceiling using screws (not supplied) inserted into the four (4) keyhole openings located on the outer corners of the base. Use the base to mark the screw locations on the wall or ceiling and attach the base. A surface mount box or biscuit jack and equipment cord can be mounted inside the Model 900. Use an adhesive backed surface mount box. Consider bend radius of permanent link cable and data cord when attaching surface mount box (Ref. Figure 5)

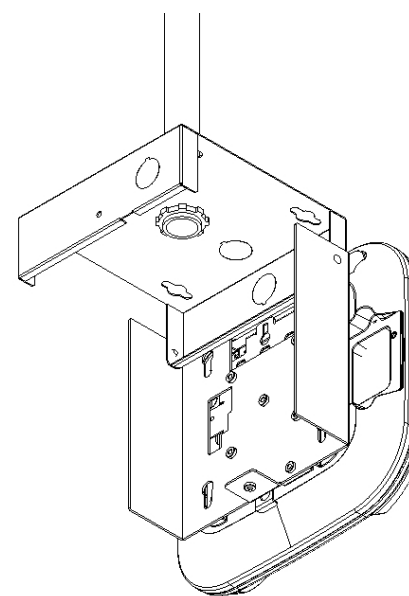


Figure 4 - Hanging Conduit Installation

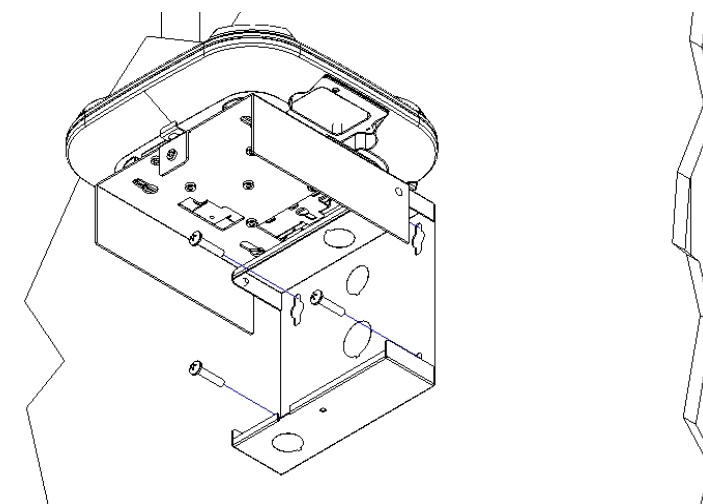


Figure 5 - Wall Installation

**⚠\*\*IMPORTANT\*\*** - *It is important that the mount is securely fastened to the wall to prevent human injury or damage to the access point.*

Step 4 - (Aruba and Cisco) Connect equipment cord between AP and data receptacle jack or surface mount box (if used). Close the cover over the base, so that screw hole in cover aligns with threaded screw holes in base. Again, consider bend radius of equipment cord when cover is attached. Fasten cover to base with screw included (Ref. Figure 6).

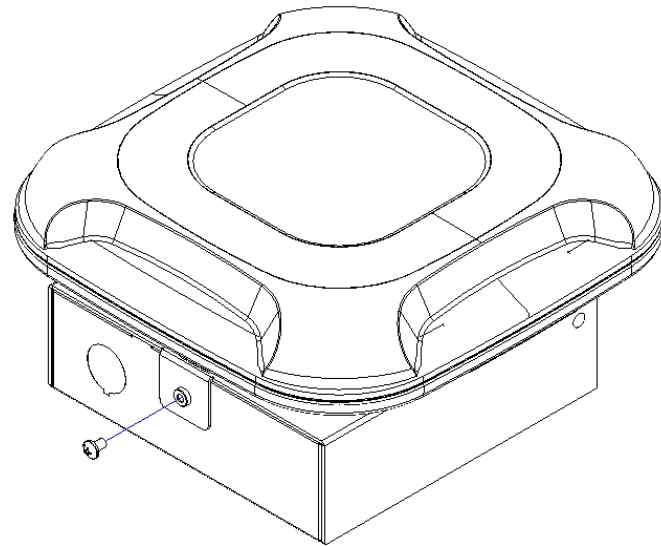


Figure 6



## MODEL 900-HC

### Installation Instructions

## \*\*\*\* WARNING \*\*\*\*

**Please thoroughly read the product warning below before installation to provide for a safe work environment.**

1. Always consider the hazard to other people:
  - a. During installation, use warning signs, etc.
  - b. Don't work with people directly below the work area as equipment could fall and cause an injury
2. Be sure to securely fasten the mount to the wall to prevent the mount from becoming dislodged.