



MODEL 1077-CCOAP3800

Installation Instructions

****** WARNING ******

Please thoroughly read the product warning below before installation to provide for a safe work environment.

Step 6 – Attach the Cisco 3800 to the Oberon mounting plate by inserting the feet of the access point into the keyhole slots of the Oberon mounting plate and sliding the AP until the plunger locks into place. The access point should be aligned so that the raised flange of the Oberon mounting plate is opposite the Ethernet port of the access point. (Ref. Figure 6).

Step 7 – Once the Cisco mounting plate has been installed, attach the equipment cord to the Cisco AP (Ref. Figure 6).

Step 8 – The door assembly is completed by attaching the previously assembled mounting plate assembly to the enclosure door. Place the slotted holes in the mounting plate over the studs located on the bottom side of the door (NOTE: the mounting plate can be attached to the door in either of two different directions, 1) with the Ethernet ports facing the hinge or 2) with the Ethernet ports facing the lock. Once the mounting plate is positioned, secure it in place by installing the two (2) #8-32 thumb nuts (Ref. Figure 6).

Step 9 – Reattach the door to the backbox in the ceiling.

Step 10 – Plug the equipment cord into the surface mount box. If a surface mount box was not used, plug the data cable directly into the Cisco AP. Close and lock the access door. The installation is now completed.

NOTE: To remove the access point from the Oberon mounting plate, lift the plunger and slide the access point along the keyhole slots until it disengages.

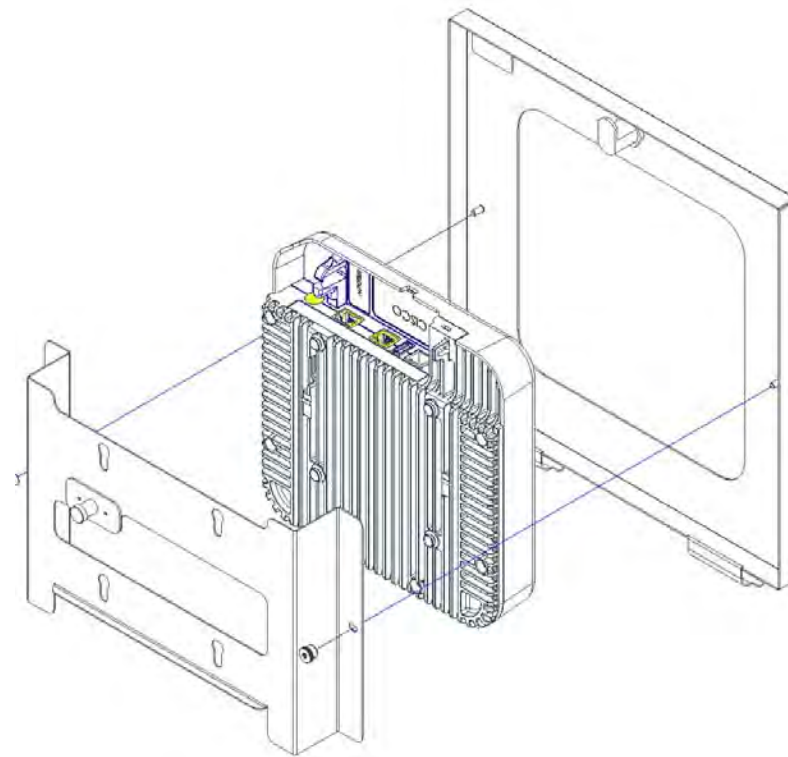


Figure 6

1. Ceiling mounted products should be installed in accordance with National Electric Code paragraphs 300.10 (Electrical Continuity of Metal Raceways and Enclosures) and 300.11 (Securing and Supporting). Independent support wires or other means must be used for the installation of this product in the ceiling. Acoustical, suspended, false, drop and concealed spline ceiling grid work is not designed to support the weight of this product. Oberon's ceiling mounted products have four support wire tabs on the back box. These tabs shall be used for supporting the product with independent support wires, wire rope, threaded rod, or other secure support means of adequate gauge and fire resistance.
2. When closing the enclosure access door, be sure that the cam lock is completely engaged to prevent the access door from accidentally swinging open.
3. When opening the enclosure door, be sure to support the door to prevent the door from accidentally falling open.
4. This enclosure has a maximum operating ambient of 55° C (131° F), the temperature within the enclosure may not exceed this temperature, depending on power dissipation within enclosure.
5. A minimum air clearance of 1" between the housing of the access point and the enclosure side walls must be maintained for the safe operation of the equipment.
6. This product is intended to be installed by trained personnel.
7. Only Listed ITE products shall be installed within the enclosure.
8. This product is to be repaired by personnel trained by the manufacturer or returned to the manufacturer for repair or replacement.
9. Maximum weight to be installed in the unit is 25 lbs.
10. All knockouts, openings, and holes shall be sealed with a plug constructed of metal, or a non-metal material that complies with UL 2043 or UL 1479.
11. All unused mounting holes should be sealed with tape or other material that complies with UL 1479.
12. AC Power is not to be used inside the enclosure.
13. See OSHPD approved installation drawing where applicable

Installation Instructions

Model Number 1077-CCOAP3800

Assembly Components:

- Ceiling enclosure Model 1077-CCOAP3800 assembly – 1 each
- 1" Trade size conduit connectors – 1 each
- Firestop Grommet – 1 each
- #8 – 32 screw – 4 each
- 1/4" standoffs - 4 each
- Support wire – 4 each
- Installation Instructions – 1 each
- Keys for access door lock – 2 each

If any of these items are missing, contact your Oberon representative.

NOTE: If using Cisco 1040, 1140, 1260, 3500 series access point use Cisco AIR-AP-BRACKET-2 and with standoffs placed between the AIR-AP-BRACKET and the AP mounting bracket. If using Cisco 3600, 2700, or 3700 series use Cisco AIR-AP-BRACKET-2 attached directly to the AP mounting bracket.

Find a flat work surface to assemble the ceiling enclosure, access point and antenna(s) prior to mounting in ceiling.

Step 1 – Place the ceiling enclosure backbox on the work surface. Determine which knockout is to be used to bring in the data cable and remove the knockout. Install the conduit fitting from the inside of the enclosure. Insert the conduit fitting through the hole with the nut installed from the outside of the enclosure (Ref. Figure 2).

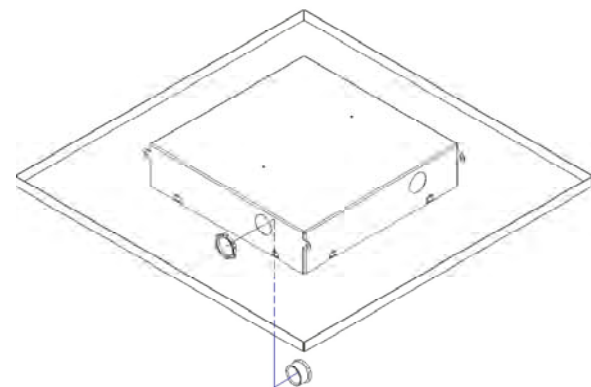


Figure 2

NOTE: A surface mount box (or biscuit jack) and equipment cord can be conveniently mounted inside the enclosure. (Non-plenum rated cables can be used inside a plenum rated enclosure). Use an adhesive backed surface mount box. Consider bend radius of data cable and equipment cord when attaching the surface mount box (Ref. Figure 3)

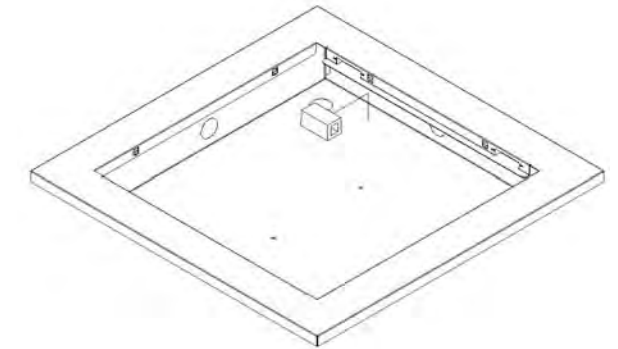


Figure 3

Step 2 - Remove the ceiling tile and replace it with the enclosure backbox.

Step 3 – Use minimum 12-gauge support wire (included) to support the backbox independently of the ceiling grid. Attach one end of the wire to the support wire tabs located along the edge of the back box and the other end to a permanent supporting structure within the ceiling (Ref. Figure 4).

⚠️IMPORTANT**** - This is an important safety feature that could prevent human injury or damage to the access point should the unit become dislodged from the ceiling.

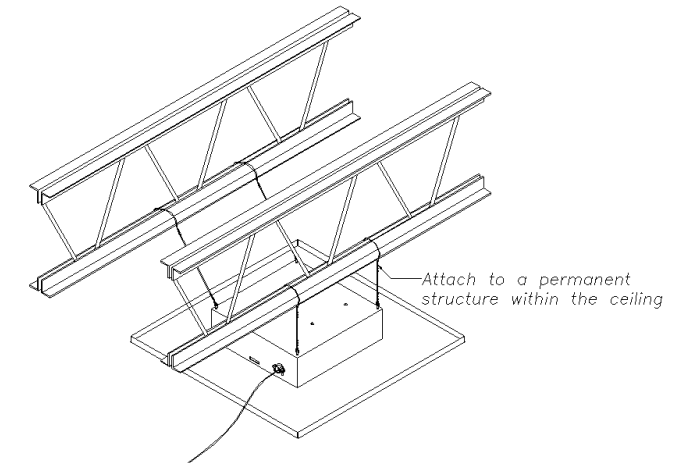


Figure 4

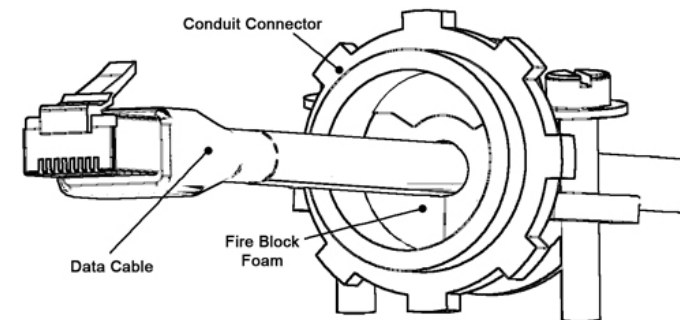


Figure 5

Step 4 – Run the data cable through the conduit connectors located on sides of the enclosure backbox. Pull the data cable through the conduit connector far enough to allow attachment to the access point (8" - 10"). Snap the firestop grommet on to the cable and slide it inside the conduit connector (Ref. Figure 5).

Step 5 – To install the Cisco AP, place the enclosure's door on a flat work surface. Remove the mounting plate from the door by removing the two (2) thumb nuts that attach the mounting plate. Retain the nuts (Ref. Figure 6).