

Installation Instructions

Model Number 1075-CP

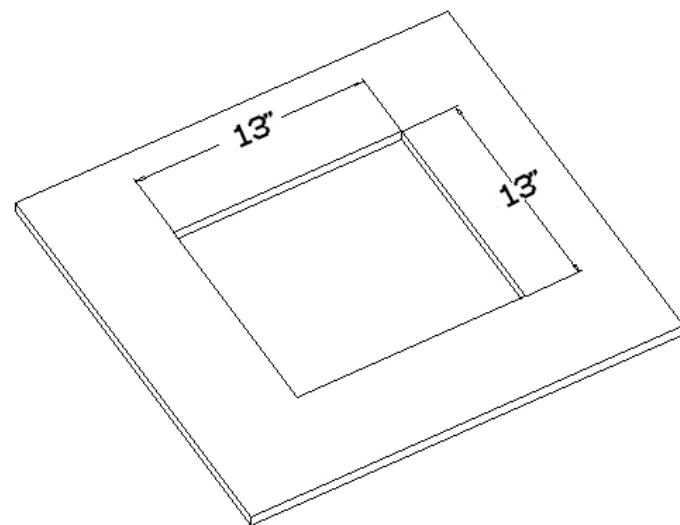
Assembly Components:

- Ceiling enclosure Model 1075-CP assembly – 1 each
- Ceiling tile bridge – 2 each
- #8-32 X 1/4 " screw –4 each
- #8-32 nut – 4 each
- 3/4" Trade Size Cable Clamp – 1 each
- Keys for access door lock – 2 each
- Support wire – 4 each
- Fire Block Foam – 1 each

If any of these items are missing, contact your Oberon representative.

Find a flat work surface to assemble the *ceiling enclosure, access point* and *antenna(s)* prior to mounting in ceiling.

Step 1 - Cut a 13" x 13" opening in the center of a ceiling tile (not included – ref. *Figure 1*).



Step 2 – Place the *ceiling enclosure assembly* on the work surface. Remove one of the 1" trade size hole cover on the side of the enclosure and install the 1" conduit nipple (the side on which the conduit nipple is to be installed will be determined by the location the enclosure is to be installed and direction from which conduit will be brought into the enclosure – ref. *Figure 2*).

NOTE: A surface mount box (or biscuit jack) and equipment cord can be conveniently mounted inside the Model 1075. (Non-plenum rated cables can be used inside a plenum rated enclosure). Use an adhesive backed surface mount box. Consider bend radius of horizontal cable and equipment cord when attaching the surface mount box.

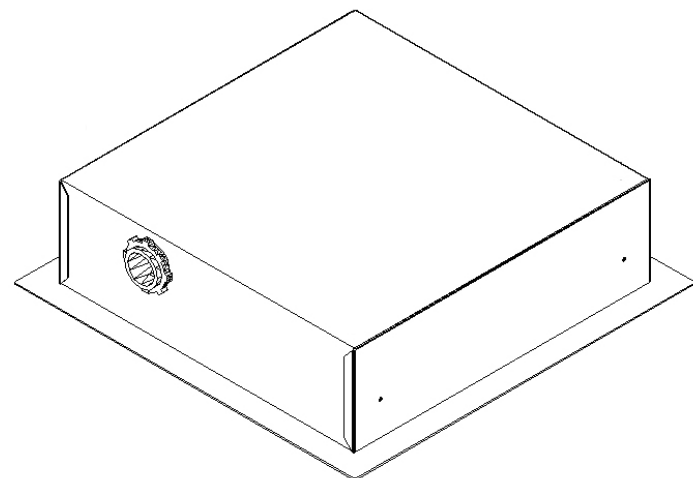


Figure 2 - Hardware installation.

Step 3 –Lay ceiling tile over the enclosure assembly such that the previously cut opening in the ceiling tile is equally spaced around the outside of the enclosure (ref. *Figure 3*). Place the ceiling tile bridges along each side of the enclosure and attach using a #8-32 screw. Prior to tightening, be sure to properly align the tile bridges so the ends of the tile bridges align with the outside edge of the ceiling tile. Once the tile bridges are properly aligned, press the shoulder of the tile bridge down firmly against the tile and then securely tighten the screws. This is to assure that there is minimal gap between the enclosure's flange and the ceiling tile once it is placed in the ceiling. The four (4) holes on the tile bridge will be used to secure the enclosure with grid wires.

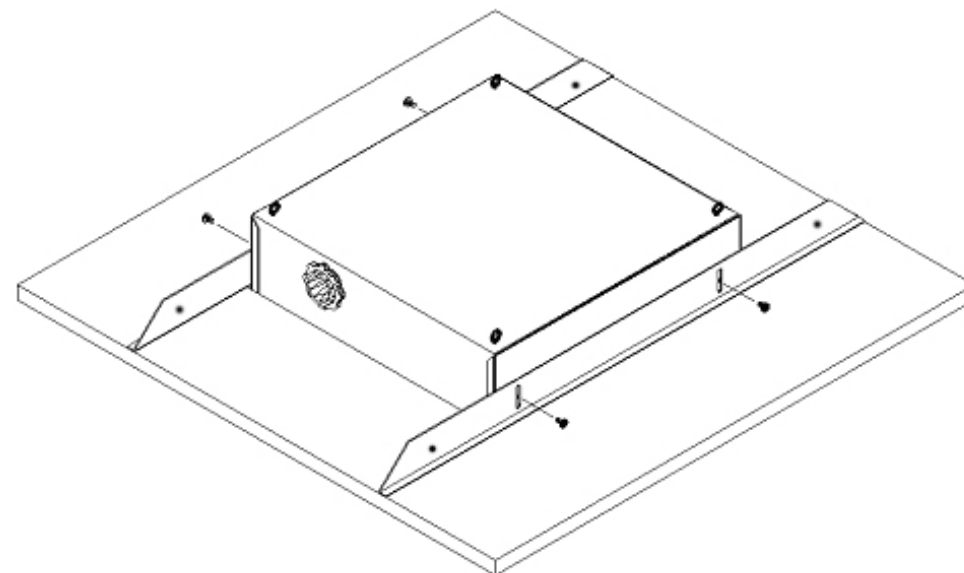


Figure 3 - Installation to ceiling tile.

Step 4 – Unlock and open the door. Use the manufacturer's T-Bar mount clip to attach the access point to the T-Bar Section on the mounting plate. An additional mounting plate provided by the manufacturer of the access point may be needed to attach the access point (Figure 5). *Data cable(s) may need to be plugged in to the access point prior to attaching to the mount. Cisco access points use Cisco AIR-AP-BRACKET-2 for 2600/3600 series access points and AIR-AP-BRACKET-1 for 1140/3500 series.*

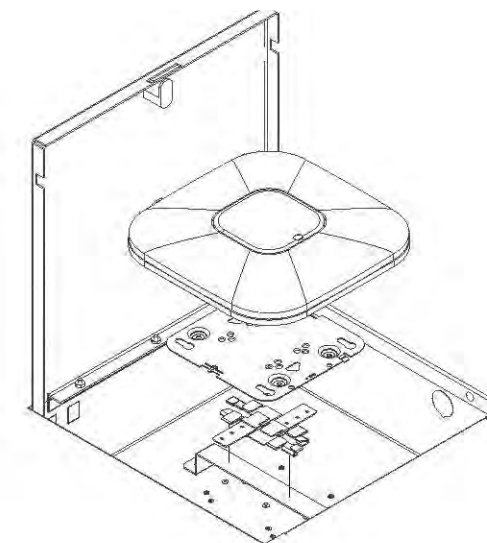
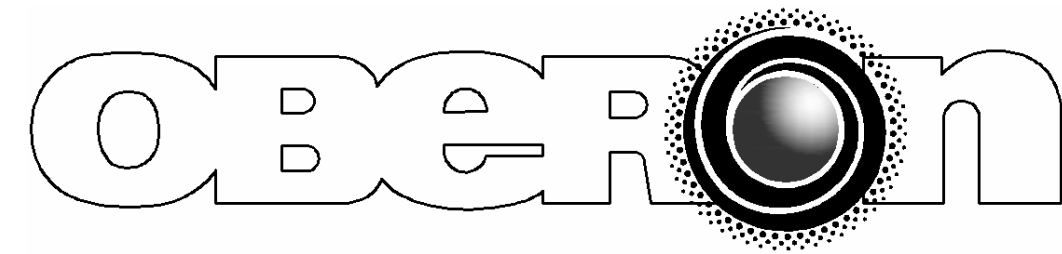


Figure 5 – Exploded door view.



MODEL 1075-CP

Installation Instructions

****** WARNING ******

Please thoroughly read the product warning below before installation to provide for a safe work environment.

View showing access point enclosure attached to ceiling joists using eye bolts.

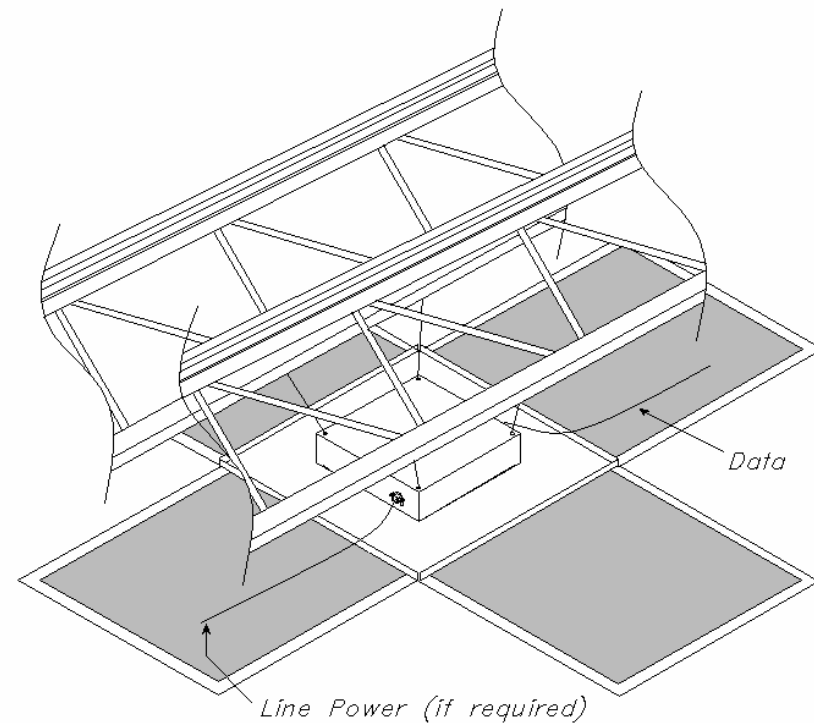
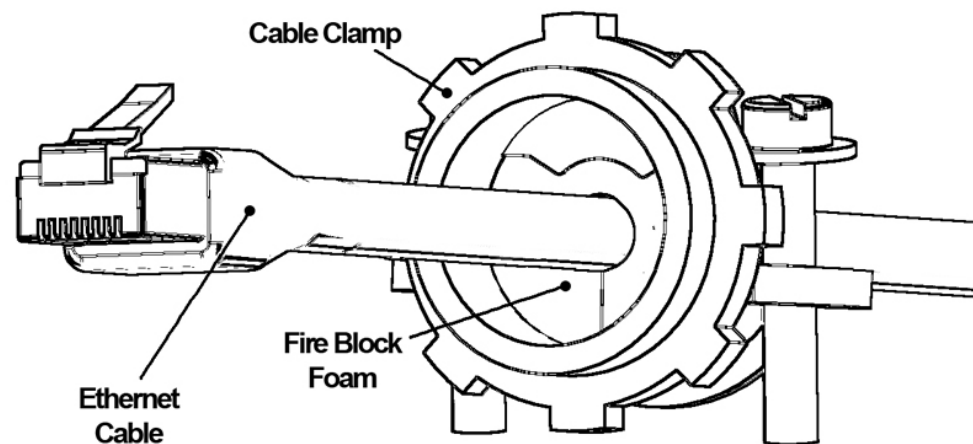


Figure 6 - Ceiling installation.

Step 5 – Remove the ceiling tile from the location where the access point enclosure is to be placed (if necessary) and replace with the assembled unit (ref. Figure 6). Use a minimum of two separate grid wires to attach the access point enclosure to the ceiling. Attach one end of the wire to the eyebolts and the other end to a permanent structure within the ceiling such as a ceiling joist.

! **IMPORTANT - This is an important safety feature that could prevent human injury or damage to the access point should the unit become dislodged from the ceiling grid work.**

Step 6 – Once the assembly has been installed in the ceiling and secured using grid wire, open the door and run the Ethernet cable into the enclosure through the conduit nipple located on the side of the access point enclosure and attach to the access point prior to installing on mounting plate.



Insert foam into the conduit connector and pull the data cable through far enough to allow attachment to the access point (8" - 10"). Tighten cable clamp around foam fire block so that there are no air gaps. Be careful not to over tighten and crush the Ethernet cable(s).

1. Ceiling mounted products should be installed in accordance with National Electric Code paragraphs 300.10 (Electrical Continuity of Metal Raceways and Enclosures) and 300.11 (Securing and Supporting). Independent support wires or other means must be used for the installation of this product in the ceiling. Acoustical, suspended, false, drop and concealed spline ceiling grid work is not designed to support the weight of this product. Oberon's ceiling mounted products have four support wire tabs on the back box. These tabs shall be used for supporting the product with independent support wires, wire rope, threaded rod, or other secure support means of adequate gauge and fire resistance.
2. When closing the enclosure access door, be sure that the cam lock is completely engaged to prevent the access door from accidentally swinging open.
3. When opening the enclosure door, be sure to support the door to prevent the door from accidentally falling open.
4. This enclosure has a maximum operating ambient of 55° C (131° F), the temperature within the enclosure may not exceed this temperature, depending on power dissipation within enclosure.
5. A minimum air clearance of 1" between the housing of the access point and the enclosure side walls must be maintained for the safe operation of the equipment.
6. This product is intended to be installed by trained personnel.
7. Only Listed ITE products and Listed AC Receptacles shall be installed within the enclosure.
8. This product is to be repaired by personnel trained by the manufacturer or returned to the manufacturer for repair or replacement.
9. Maximum weight to be installed in the unit is 25 lbs.
10. All knockouts, openings, and holes shall be sealed with a plug constructed of metal, or a non-metal material that complies with UL 2043 or UL 1479.
11. All unused mounting holes should be sealed with tape or other material that complies with UL 1479.
12. If AC power is used inside the enclosure, connect the ground wire to the green ground screw located near the knockout in the backbox.