

# Installation Instructions

## Model Number 1074-DOME

### Assembly Components:

- Ceiling enclosure Model 1074-DOME assembly – 1 each
- Electrical Junction Box – 1 each
- Electrical Receptacle – 1 each
- Electrical Receptacle Cover – 1 each
- Small Fire Block Foam Kit – 1 each
- Large Fire Block Foam Kit – 2 each
- Self Drilling Screws – 4 each
- Support wire – 8 each
- Keys for access door lock – 2 each
- Wire Management J-Hook – 4 each
- Installation Instructions – 1 each

If any of these items are missing, contact your Oberon representative.

Find a flat work surface to assemble the *telecom ceiling enclosure* and any other network/cellular components prior to mounting in ceiling.

Step 1 – Place the *telecom ceiling enclosure assembly* on the work surface with the door facing up and keyed doorway unlocked. If applicable, remove fiber ingress knockouts (Figure 1) located on the outside edge and back of the box (near key lock) and install CCH style fiber optic adapter panel according to the manufacturer's specifications.

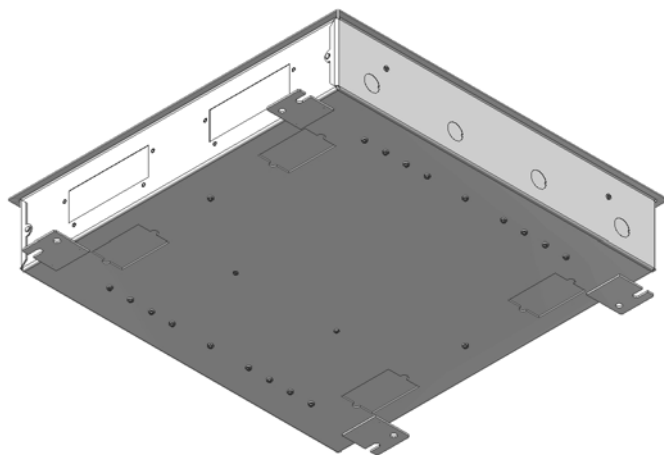


Figure 1

cables can be used inside a plenum rated enclosure). adhesive backed surface mount box. Consider bend of horizontal cable and equipment cord when attaching surface mount box.

Step 2 – Attach the electrical junction box to one of the knockouts located on the bottom of the enclosure (Figure 2) with four self drilling screws.

**⚠️\*\*IMPORTANT\*\*** - The electrical junction box must be attached to the back box with all four (4) screws for it to be grounded properly. A power supply outlet MAX 125VAC, 20A should be used.

**NOTE:** A surface mount box (or biscuit jack) and equipment cord can be conveniently mounted inside

the Model 1074-DOME. (Non-plenum rated Use an radius the

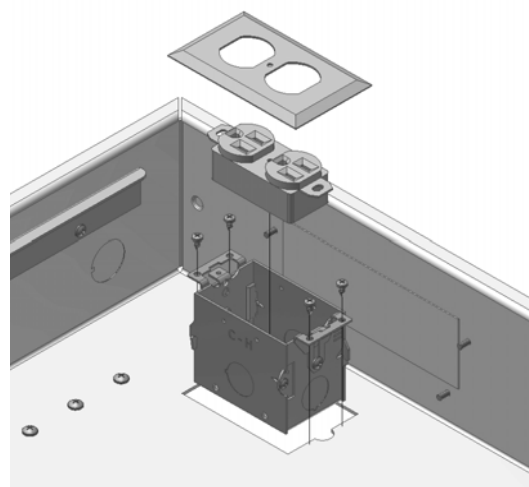


Figure 2

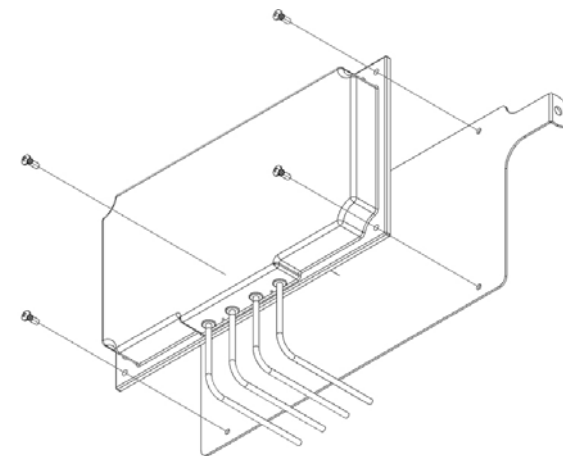


Figure 3

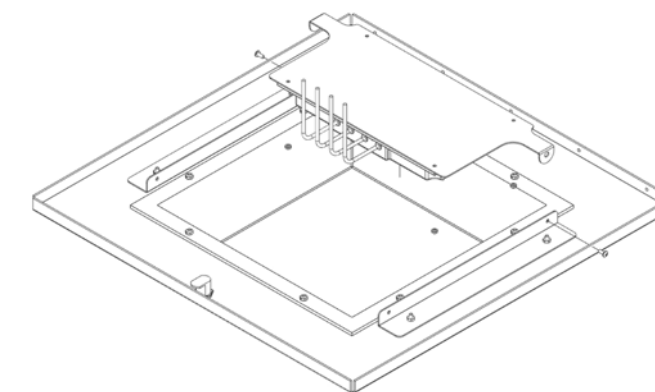


Figure 4

Step 3 – Attach antenna(s) using the #8-32 x 7/16 screws provided (Figure 3). Attach the antenna mount(s) with the provided screws to

the door (Figure 4)

Step 4 – Attach wireless access points or cellular devices use the optional T-Bar Bracket (Oberon P/N 1972 not included). Mount the access point to the bracket per the manufacturer's directions. Attach antenna cables to the access point (Figure 5).

The assembled unit is now ready for ceiling installation.

Step 6 – Use wire rope support cables (included) to support the *telecom enclosure*. Attach one end of the wire to the eye tabs located along the edge of the back box and the other end to a permanent structural component of the building such as a joist. A supporting grid wire should be attached to all four corners.

**⚠️\*\*IMPORTANT\*\*** - This is an important safety feature that could prevent human injury or damage to the equipment should the unit become dislodged from the ceiling.

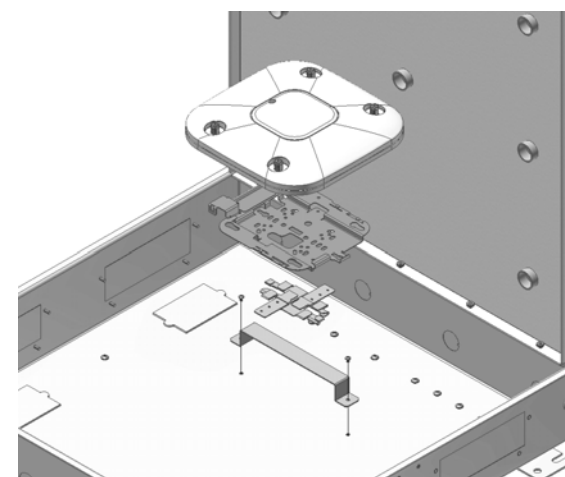


Figure 5

**Optional Step – Fasten the provided j-hooks to the backside of the enclosure for cable management.**

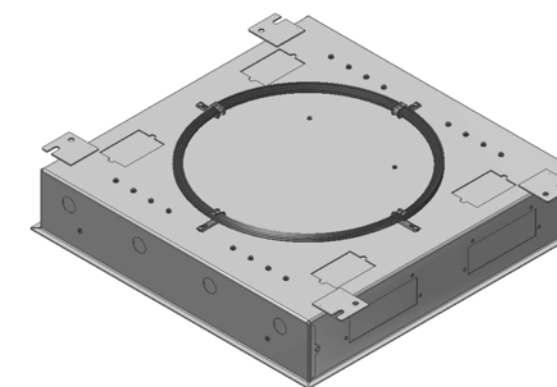


Figure 5



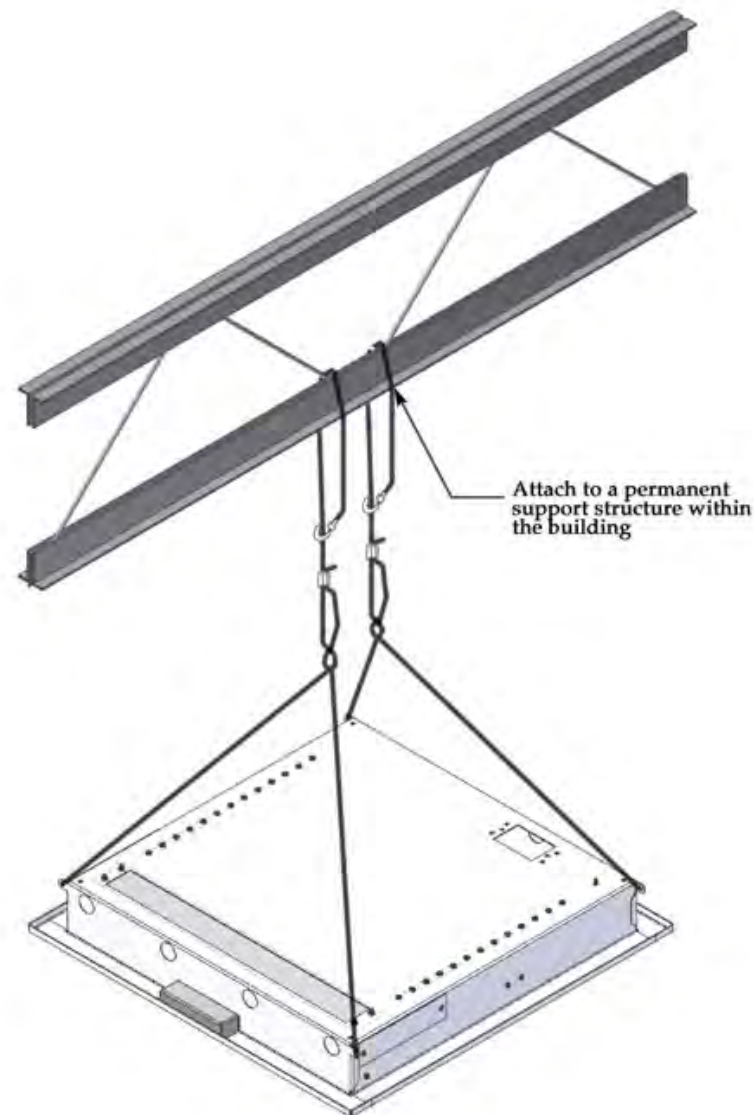
# MODEL 1074-DOME

## Installation Instructions

\*\*\*\* **WARNING** \*\*\*\*

**Please thoroughly read the product warning below before installation to provide for a safe work environment.**

1. Ceiling mounted products should be installed in accordance with National Electric Code paragraphs 300.10 (Electrical Continuity of Metal Raceways and Enclosures) and 300.11 (Securing and Supporting). Independent support wires or other means must be used for the installation of this product in the ceiling. Acoustical, suspended, false, drop and concealed spline ceiling grid work is not designed to support the weight of this product. Oberon's ceiling mounted products have four support wire tabs on the back box. These tabs shall be used for supporting the product with independent support wires, wire rope, threaded rod, or other secure support means of adequate gauge and fire resistance.
2. When closing the enclosure access door, be sure that the cam lock is completely engaged to prevent the access door from accidentally swinging open.
3. When opening the enclosure door, be sure to support the door to prevent the door from accidentally falling open.
4. This enclosure has a maximum operating ambient of 55° C (131° F), the temperature within the enclosure may not exceed this temperature, depending on power dissipation within enclosure.
5. A minimum air clearance of 1" between the housing of the access point and the enclosure side walls must be maintained for the safe operation of the equipment.
6. This product is intended to be installed by trained personnel.
7. Only Listed ITE products and Listed AC Receptacles shall be installed within the enclosure.
8. This product is to be repaired by personnel trained by the manufacturer or returned to the manufacturer for repair or replacement.
9. Maximum weight to be installed in the unit is 44 lbs.
10. All knockouts, openings, and holes shall be sealed with a plug constructed of metal, or a non-metal material that complies with UL 2043 or UL 1479.
11. All unused mounting holes should be sealed with tape or other material that complies with UL 1479.
12. If AC power is used inside the enclosure, ground the enclosure via the grounding means provided by the junction box and AC receptacle.



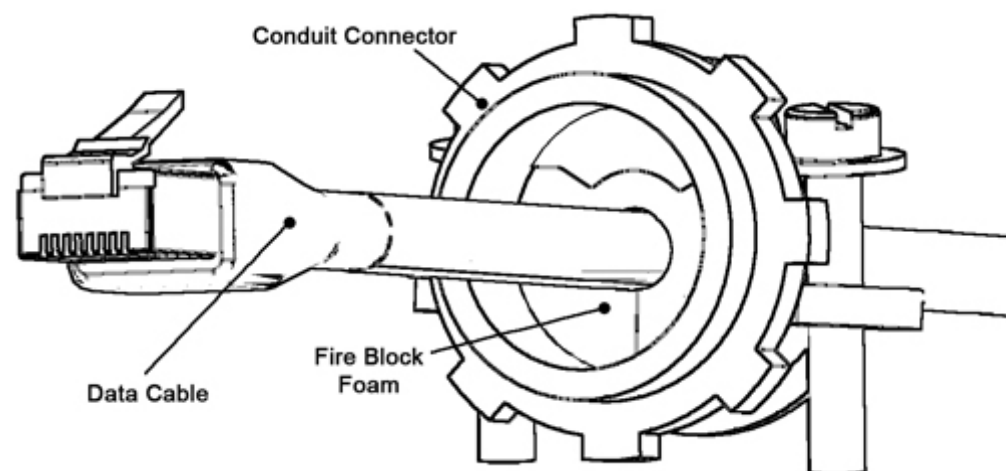
Attach to a permanent support structure within the building

Step 7 – Once the *telecom enclosure* is installed in the ceiling, run the power cable to the electric junction box. The junction box/receptacle should be wired according to electrical codes.

**⚠\*\*IMPORTANT\*\* - This procedure should be done by a trained electrician.**

Step 8 – Run the data and power cable (if required) through the conduit connectors located on sides of the *access point enclosure*. In order to maintain a separation of signal and power, install the data and power cables through opposite sides of the enclosure utilizing the two knock-outs provided. Insert foam into the conduit connector and pull the data cable through far enough to allow attachment to the access point (8" - 10"). Carefully tighten conduit connector around fire block foam just enough to fill in gaps around cable. Be careful not to over tighten and crush the data cable(s), as this can affect cable performance. Attach any additional data cables as necessary and power up the networked devices (*these should be plugged into the power outlet installed in the telecom enclosure*).

Step 9 – Close and lock the access door. The installation is now completed.



**Figure 8** – Tighten cable clamp around foam fire block so that there are no air gaps. Be careful not to over tighten and crush the Ethernet cable(s).

**Note: The Oberon Model 1074-DOME-DOME telecom enclosure is specifically designed to be used with networking equipment no bigger than 2U deep and 14" in length.**