

Step 5 –Place the access point/mounting plate assembly in the opening of the ceiling mount (reference *Figure 4*). If the key was previously turned the proper direction, the access point should drop in and self-center.

⚠ NOTE: If the access point does not drop fully into the opening, turn the key 180° and repeat step 5.

Step 6 – After verifying that the access point is properly seated within the opening, turn the key 180° to lock the access point/mounting plate assembly in place. The key should require minimal effort to turn. If excessive force is required to turn the key, verify that the access point/mounting plate assembly is properly seated within the opening and then re-try turning the key.



Figure 4 – Proper positioning of AP within the 1068 enclosure.
Note that the access point should be located within the AP mount so

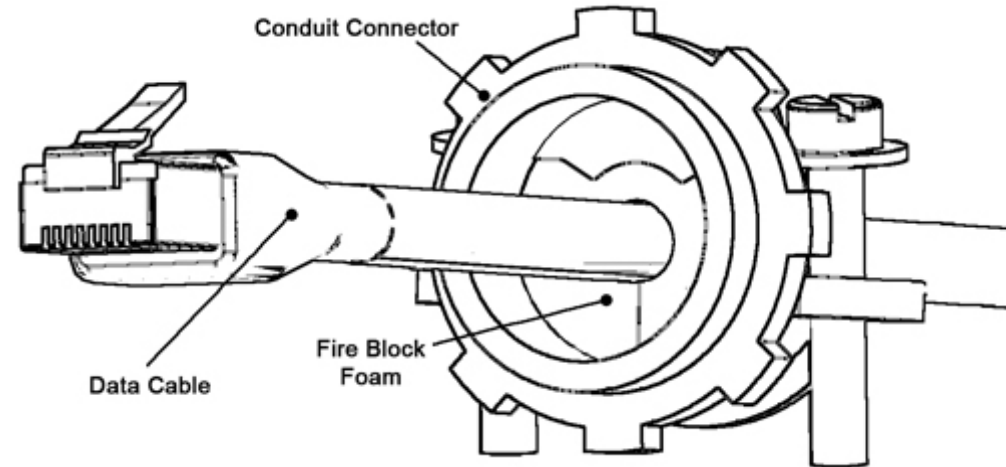


Figure 5 – Insert foam into the conduit connector and pull the data cable through far enough to allow attachment to the access point (8" - 10"). Tighten cable clamp around foam fire block so that there are no air gaps. Be careful not to over tighten and crush the Ethernet cable(s).



MODEL 1068-00

Installation Instructions

****** WARNING ******

Please thoroughly read the product warning below before installation to provide for a safe work environment.

1. Ceiling mounted products should be installed in accordance with National Electric Code paragraphs 300.10 (Electrical Continuity of Metal Raceways and Enclosures) and 300.11 (Securing and Supporting). Independent support wires or other means must be used for the installation of this product in the ceiling. Acoustical, suspended, false, drop and concealed spline ceiling grid work is not designed to support the weight of this product. Oberon's ceiling mounted products have four support wire tabs on the back box. These tabs shall be used for supporting the product with independent support wires, wire rope, threaded rod, or other secure support means of adequate gauge and fire resistance.
2. When closing the enclosure access door, be sure that the cam lock is completely engaged to prevent the access door from accidentally swinging open.
3. When opening the enclosure door, be sure to support the door to prevent the door from accidentally falling open.
4. This enclosure has a maximum operating ambient of 55° C (131° F), the temperature within the enclosure may not exceed this temperature, depending on power dissipation within enclosure.
5. A minimum air clearance of 1" between the housing of the access point and the enclosure side walls must be maintained for the safe operation of the equipment.
6. This product is intended to be installed by trained personnel.
7. Only Listed ITE shall be installed within the enclosure.
8. This product is to be repaired by personnel trained by the manufacturer or returned to the manufacturer for repair or replacement.
9. Maximum weight to be installed in the unit is 25 lbs.
10. All knockouts, openings, and holes shall be sealed with a plug constructed of metal, or a non-metal material that complies with UL 2043 or UL 1479.
11. All unused mounting holes should be sealed with tape or other material that complies with UL 1479.
12. If AC power is used inside the enclosure, connect the ground wire to the green ground screw located near the knockout in the backbox.

Installation Instructions

Model Number 1068-00

Assembly Components:

- Universal Ceiling AP mount, Model 1068-00 assembly – 1 each
- Keys for access door lock – 2 each
- Grid Wire – 4 each
- Fire Resistant Foam – 1 each
- 3/4" Trade Size Cable Clamp – 1 each
- Support wire – 4 each
- Fire Block Foam – 1 each

If any of these items are missing, contact your Oberon representative.

*NOTE: The 1068-00 enclosure requires a unique mounting plate for each access point. The mounting plate is purchased separately based on the access point being used.

ITEMS TO NOTE:

Item 1 – The back side of the enclosure has a knockouts that will accommodate either a cable clamp or a Keystone Jack (purchased separately) that will be used to bring in the Ethernet cable (Reference Figure 1).

Item 2 – Each corner of the back box has a tab with a hole through it. These tabs are to be used to attach the enclosure to a permanent structure within the ceiling using grid wire (provided) or other connecting devices.

Item 3 – The enclosure requires a mounting plate (purchased separately) that matches the access point being used. For example, the Cisco 3500 AP would require the use of a Cisco 3500/3600 (Oberon P/N 68-3500/3600) mounting plate, and an Aruba AP135 would require the use of an Aruba AP 135 (Oberon P/N 68-AP135) mounting plate.

Item 4 – To attach the access point/mounting plate assembly, place the key in the lock and turn it counter clockwise (note that the key may already be turned as far as it will go). There are four 1/4" openings on the front surface of the enclosure, verify that the sliding plate below is positioned so that you can see the round hole at the end of the slot in the opening.

Item 5 – Each mounting plate has four keyway studs located on the bottom that will fit into the four 1/4" openings on the front of the enclosure. Align the keyway studs with the openings and guide the mounting plate into place. To lock the access point/mounting plate assembly in place, turn the key 180° clockwise. (Reference Figure 2)

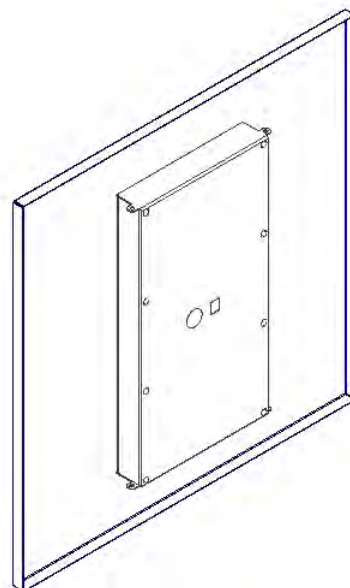


Figure 1 – Back of 1068-00 enclosure

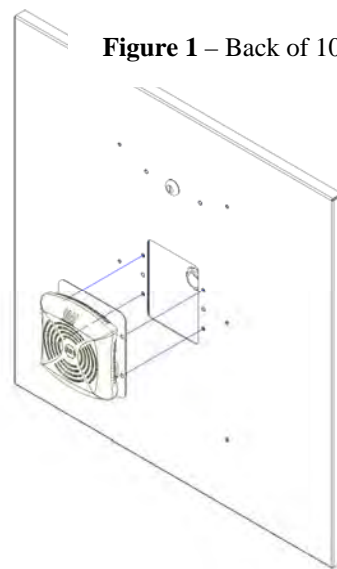


Figure 2 – Close-up showing installation of the access point attached to the Oberon mounting plate

CEILING INSTALLATION

Step 1 – Remove the ceiling tile and replace it with the completed AP mount assembly.

Step 2 – Use minimum 12-gauge grid wire to attach the AP mount to the ceiling. Attach one end of the wire to the eye tabs and the other end to a permanent structure within the ceiling such as a ceiling joist.

! **IMPORTANT - This is an important safety feature that could prevent human injury or damage to the access point should the unit become dislodged from the ceiling.**

Step 3 – Run the data and power cable (if required) through the conduit connectors located on sides of the access point enclosure. In order to maintain a separation of signal and power, install the data and power cables through opposite sides of the enclosure utilizing the two knock-outs provided. Insert foam into the conduit connector and pull the data cable through far enough to allow attachment to the access point (8" - 10"). Carefully tighten conduit connector around fire block foam just enough to fill in gaps around cable. Be careful not to over tighten and crush the data cable(s), as this can affect cable performance.

Step 4 – Attach the Ethernet cables to the access point from the front side of the AP mount.

NOTE: The access point/mounting plate assembly is locked into the ceiling mount using the key. The turning of the key activates a cam mechanism that slides the mounting plate underneath the access point, thus, locking the slotted bosses located on the bottom of the mounting plate. Once the access point/mounting plate assembly is installed and the key removed, the access point is securely mounted in the ceiling mount and cannot be removed without the key. Additional security measures (i.e. Kensington lock, etc.) are not required.

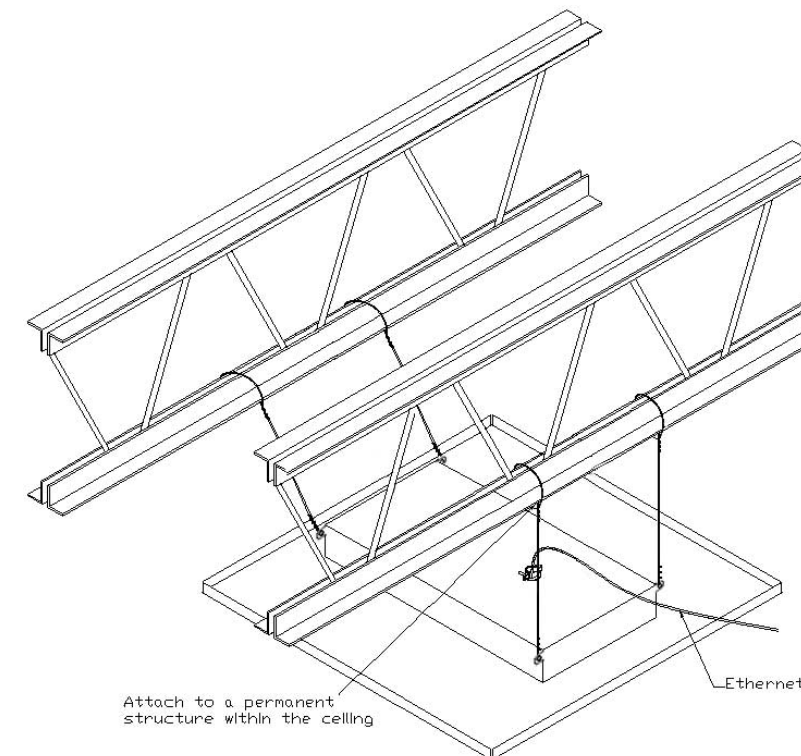


Figure 3 - Installation of grid wires and Ethernet cable.