

MODEL 1052-00

Installation Instructions

****** WARNING ******

Please thoroughly read the product warning below before installation to provide for a safe work environment.

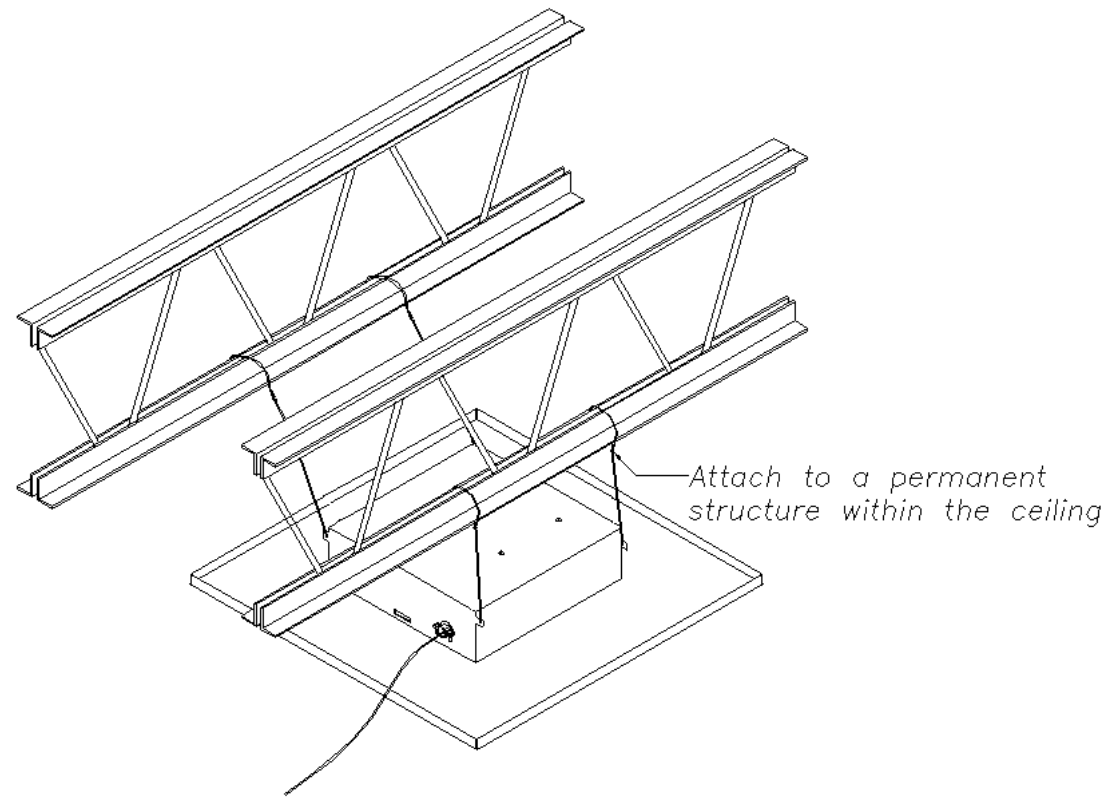


Figure 4

Step 6 – Run the data and power cable (if required) through the conduit connectors located on sides of the *access point enclosure*. In order to maintain a separation of signal and power, install the data and power cables through opposite sides of the enclosure utilizing the two knock-outs provided. Pull the data cable through the conduit connector far enough to allow attachment to the access point (8" - 10"). Snap the grommet on to the cable and slide it inside the conduit connector.

Step 7 – Attach data and power cables to the *access point*.

Step 8 – Close and lock the access door. The installation is now completed.

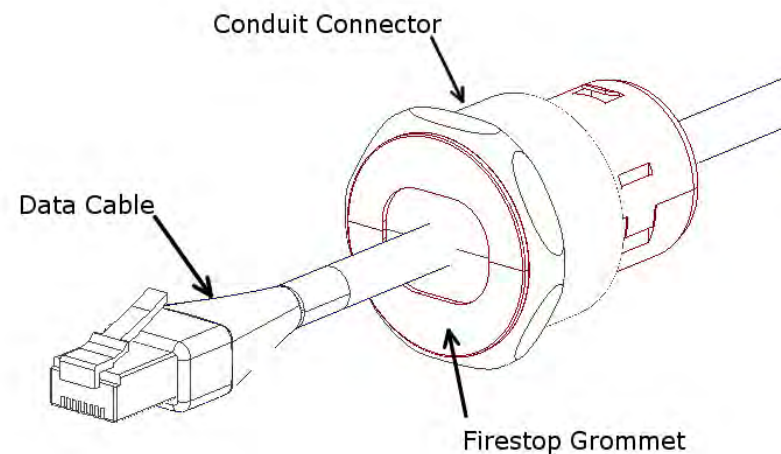


Figure 5

1. Ceiling mounted products should be installed in accordance with National Electric Code paragraphs 300.10 (Electrical Continuity of Metal Raceways and Enclosures) and 300.11 (Securing and Supporting). Independent support wires or other means must be used for the installation of this product in the ceiling. Acoustical, suspended, false, drop and concealed spline ceiling grid work is not designed to support the weight of this product. Oberon's ceiling mounted products have four support wire tabs on the back box. These tabs shall be used for supporting the product with independent support wires, wire rope, threaded rod, or other secure support means of adequate gauge and fire resistance.
2. When closing the enclosure access door, be sure that the cam lock is completely engaged to prevent the access door from accidentally swinging open.
3. When opening the enclosure door, be sure to support the door to prevent the door from accidentally falling open.
4. This enclosure has a maximum operating ambient of 55° C (131° F), the temperature within the enclosure may not exceed this temperature, depending on power dissipation within enclosure.
5. A minimum air clearance of 1" between the housing of the access point and the enclosure side walls must be maintained for the safe operation of the equipment.
6. This product is intended to be installed by trained personnel.
7. Only Listed ITE products and Listed AC Receptacles shall be installed within the enclosure.
8. This product is to be repaired by personnel trained by the manufacturer or returned to the manufacturer for repair or replacement.
9. Maximum weight to be installed in the unit is 25 lbs.
10. All knockouts, openings, and holes shall be sealed with a plug constructed of metal, or a non-metal material that complies with UL 2043 or UL 1479.
11. All unused mounting holes should be sealed with tape or other material that complies with UL 1479.
12. If AC power is used inside the enclosure, connect the ground wire to the green ground screw located near the knockout in the backbox.

Installation Instructions

Model Number 1052-00

Assembly Components:

- Ceiling enclosure Model 1052-00 assembly – 1 each
- 1" Trade size conduit connector – 1 each
- Firestop Grommet – 1 each
- T-Bar Mount – 1 each
- Support wire – 4 each
- Installation Instructions – 1 each
- Keys for access door lock – 2 each

If any of these items are missing, contact your Oberon representative.

Find a flat work surface to assemble the *ceiling enclosure*, *access point* and *antenna(s)* prior to mounting in ceiling.

Step 1 – Place the *ceiling enclosure assembly* on the work surface with the keyed doorway unlocked. Remove hole knock outs located on the outside edge of the back box to install conduit connectors. Install one conduit connector if using P.O.E. or install 2 conduit connectors if bringing in power and Ethernet and power separately (Figure 1).

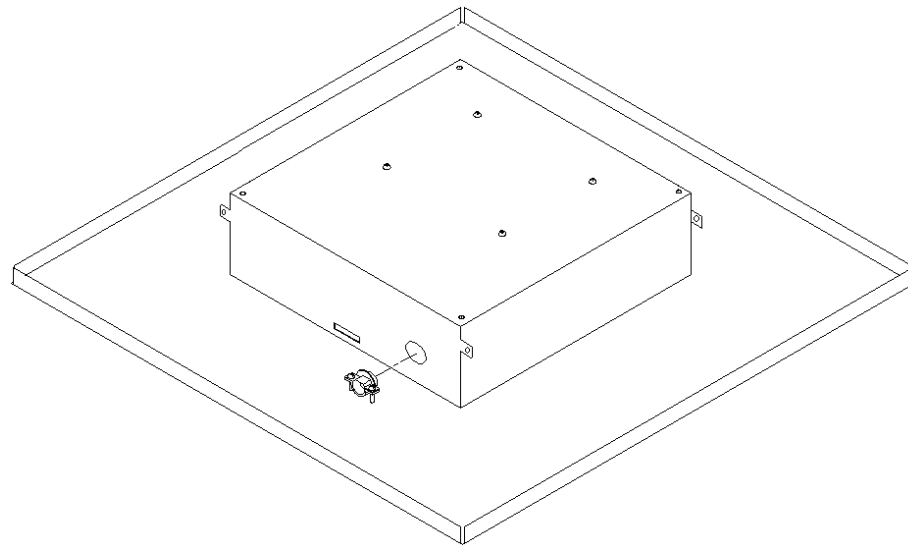


Figure 1

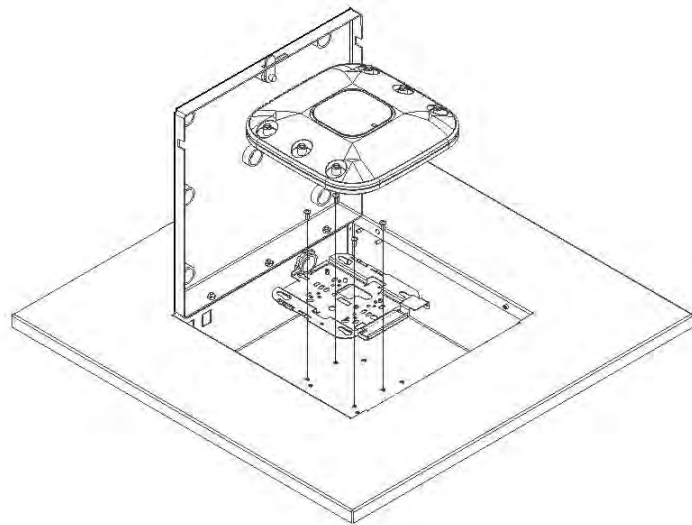
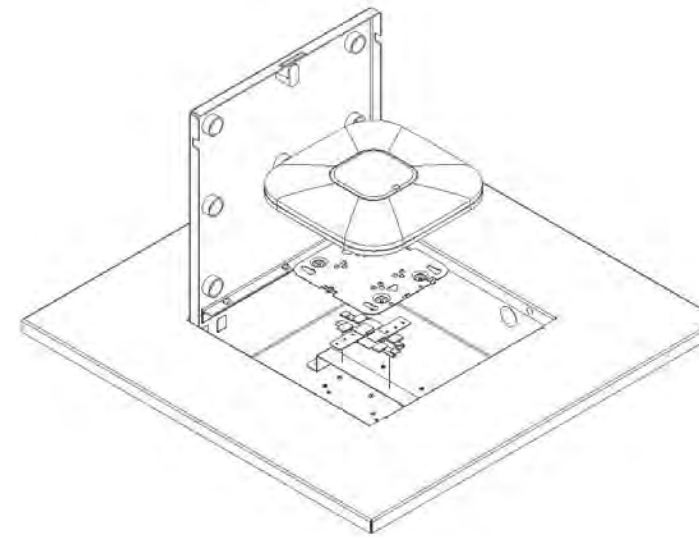


Figure 2a

Step 2 – **(Cisco AP's Only)** Remove the T-Bar mounting bracket. The mounting holes for Cisco AP's are located in the enclosure's back box. Standard Cisco mounting brackets as well as "Bracket 2" can be attached so the "Cisco" logo of the AP is parallel to the hinge. For "Bracket 1" the logo of the AP will be mounted perpendicular to the hinge. Securely fasten the *access point's mounting plate* to the mounting holes on the back wall of the enclosure using (4) # 8-32 screws. Attach the *Access Point* to the mounting plate. Proceed to *Step 3* (Ref. *Figure 2a*).



Step 2 – **(Any manufacturer's access points)** Install the access point's mounting plate to the enclosure's "T-Bar" bracket using the manufacturer's instructions for attaching the mounting bracket to a ceiling tile grid (T-Bar). Attach the *Access Point* to the mounting plate. (Ref. *Figure 2b*) Proceed to *Step 3*

Figure 2b

Step 3 – If applicable, install the antenna(s) per the instructions included with optional antenna kit. After installation, connect the *RF coax cable* from the *antenna* to the *access point* (Figure 3).

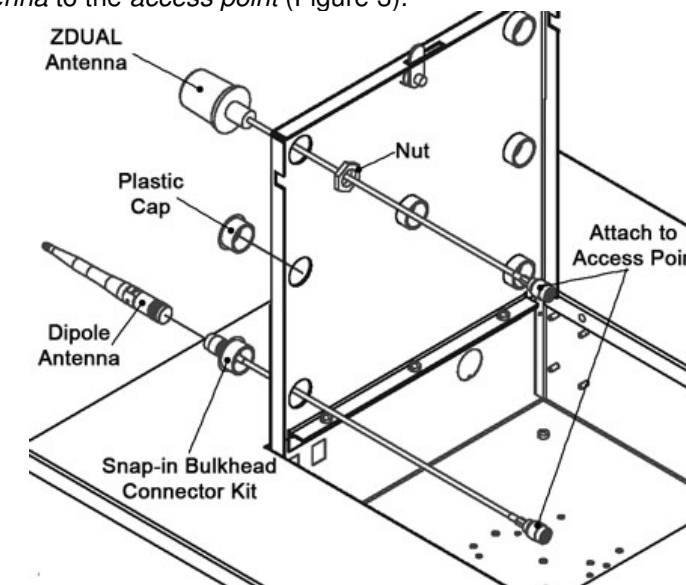


Figure 3

The assembled unit is now ready for ceiling installation.

Step 4 – Remove the ceiling tile and replace it with the completed *access point enclosure* assembly.

Step 5 – Use minimum 12-gauge support wire (included) to support the *access point enclosure* independently of the ceiling grid. Attach one end of the wire to the support wire tabs located along the edge of the back box and the other end to a permanent supporting structure within the ceiling such as a ceiling joist (Figure 4).

⚠IMPORTANT** - This is an important safety feature that could prevent human injury or damage to the access point should the unit become dislodged from the ceiling.**