

Installation Instructions

Model Number 1047-LPDOME

Assembly Components:

- Ceiling enclosure Model 1047-LPDOME assembly – 1 each
- 1" Trade Size Cable Clamp – 1 each
- Keys for access door lock – 2 each
- Support wire – 4 each
- Firestop Grommet – 1 each

If any of these items are missing, contact your Oberon representative.

Find a flat work surface to assemble the *ceiling enclosure*, *access point* and *antenna(s)* prior to mounting in ceiling.

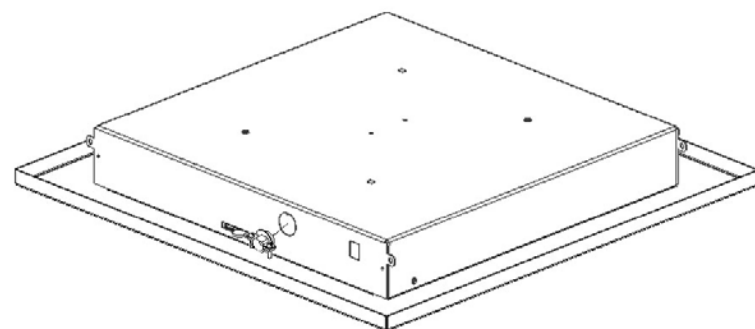


Figure 1

Step 1 – Place the *ceiling enclosure assembly* on the work surface with the keyed doorway unlocked. The *eye tabs* located on each corner will be used to secure the enclosure with grid wires (Ref. *Figure 1*). Depending on the installation, the grid wire can be attached now, or you can wait until it has been installed in the ceiling to attach the grid wires

Step 2 – Install the conduit connector. Remove the knockout(s) from the inside of the enclosure. Insert the cable clamp through the hole with the nut installed from the inside of the enclosure (Ref. *Figure 2*).

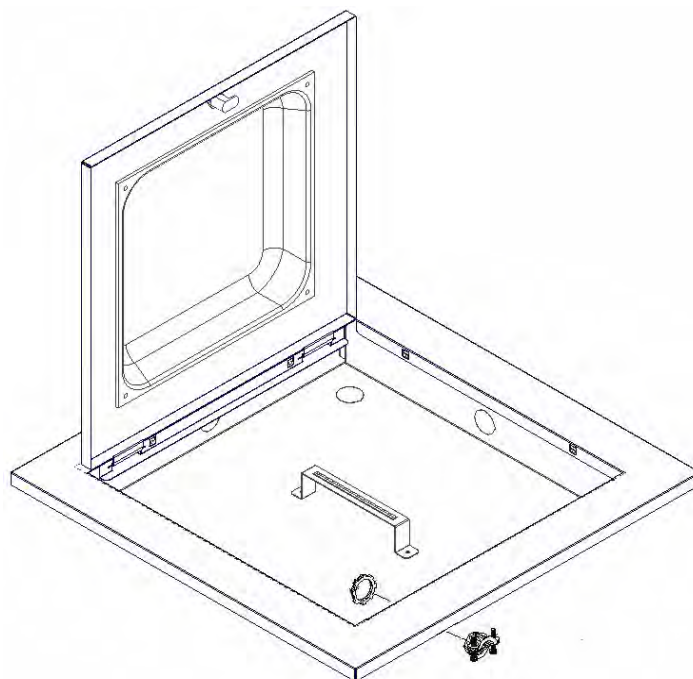


Figure 2 – Installation of cable clamp(s)

NOTE: A surface mount box (or biscuit jack) and equipment cord can be conveniently mounted inside the enclosure. (Non-plenum rated cables can be used inside a plenum rated enclosure). Use an adhesive backed surface mount box. Consider bend radius of data cable and equipment cord when attaching the surface mount box.

Step 3 – (Any manufacturer's access points) Install the access point's mounting plate to the enclosure's "T-Bar" bracket using the manufacturer's instructions for attaching the mounting bracket to a ceiling tile grid (T-Bar). Attach the *Access Point* to the mounting plate. (Ref. *Figure 3*).

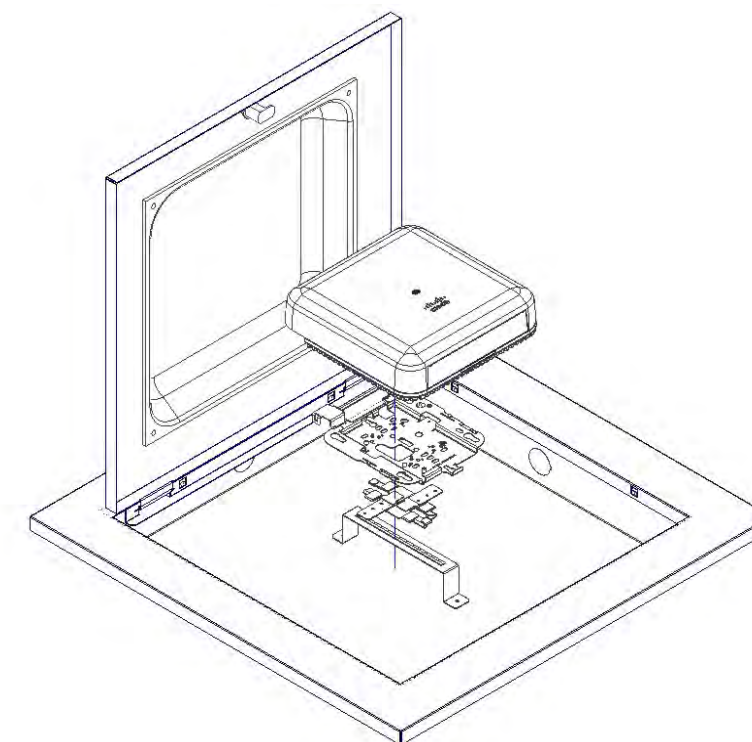


Figure 3

Step 4 – Remove the ceiling tile and replace it with the completed *access point enclosure* assembly.

Step 5 – Use minimum 12-gauge grid wire to secure the *access point enclosure* in the ceiling grid. Attach one end of the wire to the *eyebolts* and the other end to a permanent structure within the ceiling such as a ceiling joist (Ref. *Figure 4*).

⚠IMPORTANT**** - *This is an important safety feature that could prevent human injury or damage to the access point, should the unit become dislodged from the ceiling grid.*

Step 6 – Run the data cable through the conduit connectors located on sides of the *access point enclosure*. Pull the data cable through the conduit connector far enough to allow attachment to the access point (8" - 10"). Snap the firestop grommet on to the cable and slide it inside the conduit connector (Ref. *Figure 4*).

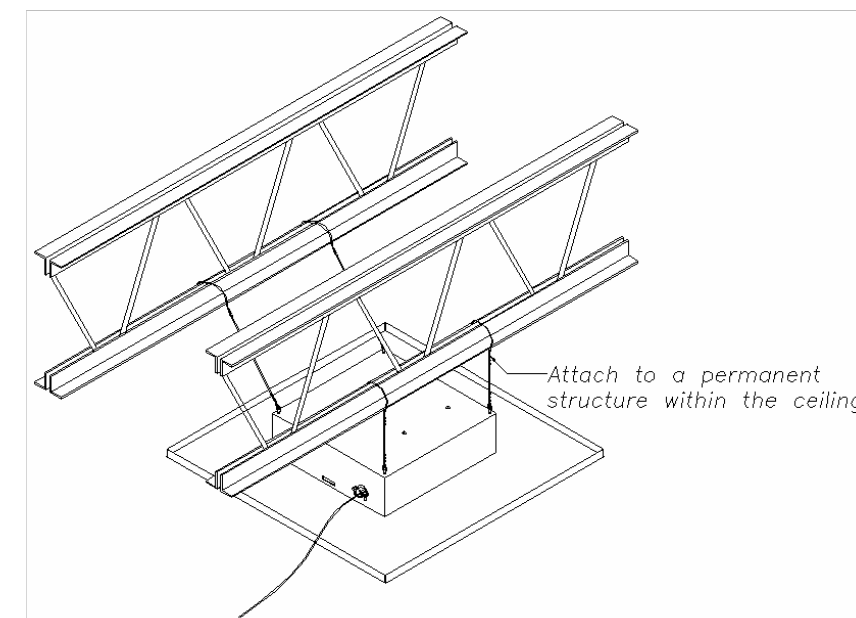


Figure 4

Step 7 – Attach data cable to the *access point* through the access door then tighten the screws on the cable clamp.

Step 8 – Close and lock the access door. The installation is now completed.

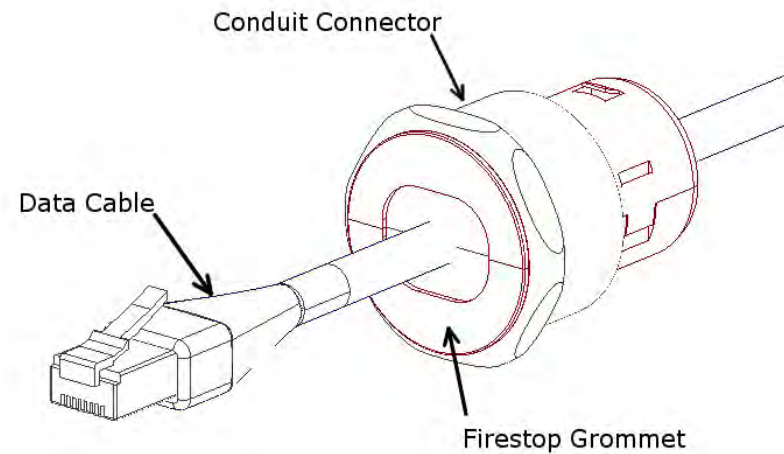
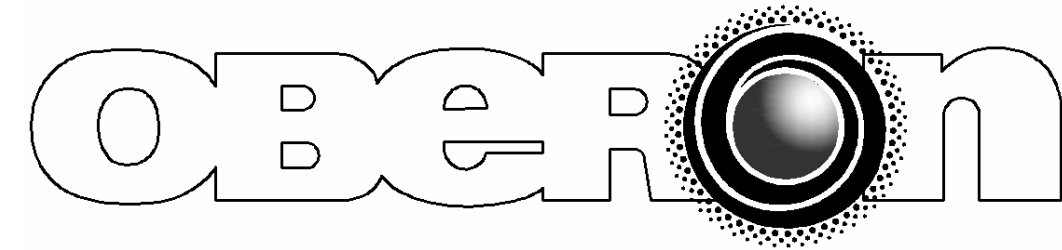


Figure 5- Pull the data cable through the conduit connector far enough to allow attachment to the access point (8" - 10"). Snap the firestop grommet around the cable so that there are no air gaps.



MODEL 1047-LPDOME

Installation Instructions

**** WARNING ****

Please thoroughly read the product warning below before installation to provide for a safe work environment.

1. Ceiling mounted products should be installed in accordance with National Electric Code paragraphs 300.10 (Electrical Continuity of Metal Raceways and Enclosures) and 300.11 (Securing and Supporting). Independent support wires or other means must be used for the installation of this product in the ceiling. Acoustical, suspended, false, drop and concealed spline ceiling grid work is not designed to support the weight of this product. Oberon's ceiling mounted products have four support wire tabs on the back box. These tabs shall be used for supporting the product with independent support wires, wire rope, threaded rod, or other secure support means of adequate gauge and fire resistance.
2. When closing the enclosure access door, be sure that the cam lock is completely engaged to prevent the access door from accidentally swinging open.
3. When opening the enclosure door, be sure to support the door to prevent the door from accidentally falling open.
4. This enclosure has a maximum operating ambient of 55° C (131° F), the temperature within the enclosure may not exceed this temperature, depending on power dissipation within enclosure.
5. A minimum air clearance of 1" between the housing of the access point and the enclosure side walls must be maintained for the safe operation of the equipment.
6. This product is intended to be installed by trained personnel.
7. Only Listed ITE products shall be installed within the enclosure.
8. This product is to be repaired by personnel trained by the manufacturer or returned to the manufacturer for repair or replacement.
9. Maximum weight to be installed in the unit is 25 lbs.
10. All knockouts, openings, and holes shall be sealed with a plug constructed of metal, or a non-metal material that complies with UL 2043 or UL 1479.
11. All unused mounting holes should be sealed with tape or other material that complies with UL 1479.
12. AC Power is not to be used inside the enclosure.
13. See OSHPD approved installation drawing where applicable